

60cm 3 Burner ceramic glass gas cooktop with 21.6MJ/hr wok burner, brass burner crown, DualFlame control and cast iron trivets. LP conversion kit provided.

RRP AUS \$2,199.00



Product Details

FEATURES

21.6MJ wok burner
Powerful 21.6 MJ wok burner is perfect to stir-fry.

Full brass burners
Brass burners provide superior heat retention.

DualFlame wok burner
DualFlame controllability to sear or simmer.

Ceramic glass surface
Durable, easy-to-clean ceramic glass surface.

Cast iron pan supports

Flame failure safety device

Electronic ignition

Natural gas

Optional LPG

BENEFITS

INTENSE HEAT RICH TASTE

The powerful 21.6MJ wok burner provides the intense heat needed to lock in texture and flavour when stir-frying at high temperatures.

BRASS IS BEST

The full brass burners are both attractive and durable. Brass provides superior heat retention and even distribution so you can sear, simmer and pan fry with confidence.

POWER AND PERFORMANCE

Many professional chefs prefer cooking with gas because of the control and power. With DualFlame, both the inner and outer burner rings can be applied depending on how you are cooking. Choose the inner ring for gentle heating and simmering and add the power of the outer ring for intense high-heat searing.

DURABLE AND EASY TO CLEAN

The flat ceramic glass surface is easy to clean after cooking, whilst also being modern and durable.

Specifications

PRODUCT PROFILE

| | |
|---------------------------------|-----------------------|
| Domestic warranty details (yrs) | 5 |
| Cooktop type | gas |
| Materials/Colour | ceramic |
| Knob Finish | Metalised dark finish |

CONTROLS

| | |
|----------------------|---|
| Controls of Cooktops | knob |
| Position of controls | front |
| Features of Cooktop | flame failure,optional LP,High powered wok burner,Cast iron trivets |

ELEMENTS/BURNERS

LEFT FRONT ZONE

| | |
|-----------------|----------------|
| Left front zone | dual valve wok |
|-----------------|----------------|

DIMENSIONS

| | |
|---------------------------|-----|
| Total product height (mm) | 107 |
| Total product width (mm) | 600 |
| Total product depth (mm) | 510 |
| Cut out width (mm) | 560 |
| Cut out depth (mm) | 480 |

FEATURES

| | |
|---------------|--------------------------------|
| Trivets | cast iron |
| Ignition type | electronic under knob ignition |

RIGHT FRONT ZONE

| | |
|------------------|--------|
| Right front zone | simmer |
| Right front Mj/h | 3.6 |

| | |
|-----------------|------|
| Left front Mj/h | 21.6 |
|-----------------|------|

RIGHT REAR ZONE

| | |
|-----------------|------------|
| Right rear zone | semi-rapid |
|-----------------|------------|

| | |
|-----------------|-----|
| Right rear Mj/h | 6.3 |
|-----------------|-----|

GAS SPECIFICATIONS

| | |
|-------------------------|------|
| Total burner output(NG) | 31.5 |
|-------------------------|------|

| | |
|-------------------------|------|
| Maximum gas rating (NG) | 21.6 |
|-------------------------|------|

| | |
|-------------------------|---|
| Maximum power rating kW | 6 |
|-------------------------|---|

| | |
|----------------------------|------|
| Position of gas connection | rear |
|----------------------------|------|

ELECTRICAL SPECIFICATIONS

| | |
|-------------------|-----|
| Connected load KW | 0.6 |
|-------------------|-----|

| | |
|-------------------------------|-----|
| Maximum current rating (amps) | 0.1 |
|-------------------------------|-----|

| | |
|--------------------|-----------------|
| Type of connection | 10A plug & lead |
|--------------------|-----------------|

SHIPPING

| | |
|----------------------|-------|
| Shipping Volume (m3) | 0.062 |
|----------------------|-------|

| | |
|----------------------|------|
| Shipping Weight (Kg) | 14.5 |
|----------------------|------|

| | |
|-----------------------------|-----|
| Pack Dimensions Height (mm) | 163 |
|-----------------------------|-----|

| | |
|---------------------------|-----|
| Pack Dimension Width (mm) | 575 |
|---------------------------|-----|

| | |
|---------------------------|-----|
| Pack Dimension Depth (mm) | 660 |
|---------------------------|-----|

STUFFING QUANTITIES

| | |
|------|-----|
| 20ft | 338 |
|------|-----|

STUFFING QUANTITIES

| | |
|------|-----|
| 40ft | 780 |
|------|-----|

| | |
|---------|-----|
| 40ft HC | 858 |
|---------|-----|

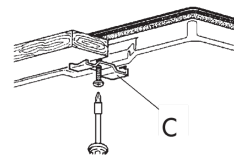
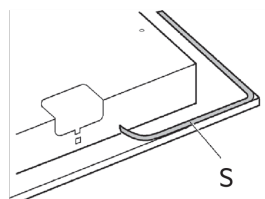
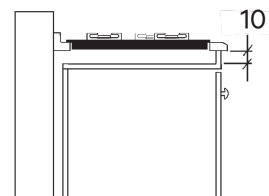
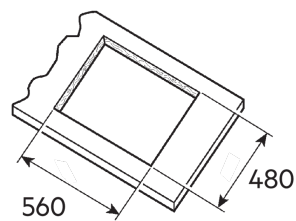
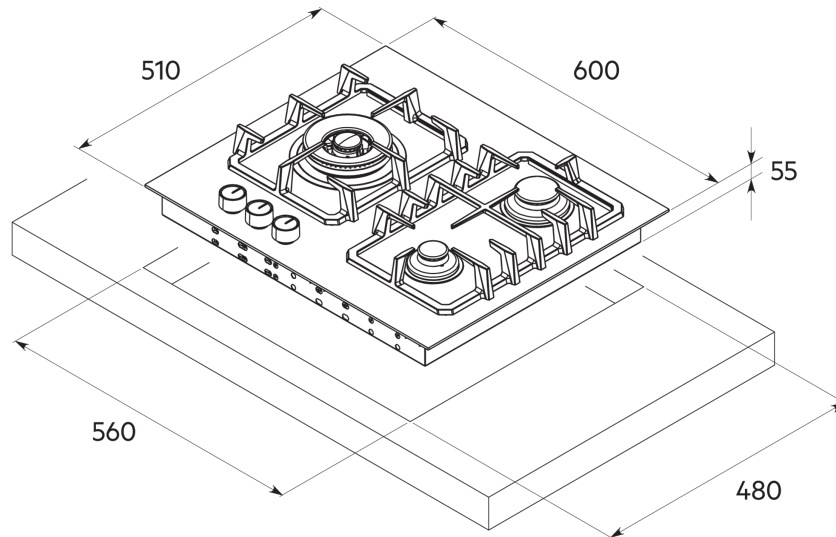
Dimensions

AEG

DIMENSION AND INSTALLATION GUIDE

HGC6366BB
90 CM BUILT-IN GAS COOKTOP

| Dimensions | Width (mm) | Height (mm) | Depth (mm) |
|--------------|------------|-------------|------------|
| Cut-out (mm) | 560 | - | 480 |
| Product (mm) | 600 | 107 | 510 |



IMPORTANT

These dimensions are a guide only. All measurements are in millimetres (mm).
For complete installation instructions, refer to the manual provided with product.

© 2024. Electrolux S.E.A PTE. LTD. AEG_DIM_HGC9566BB_Apr24



Terms and Conditions

IMPORTANT

This is a guide of product dimensions only. For complete installation instructions, refer to the manual provided with product.

PRODUCT INFORMATION

The descriptors and illustrations in this publication apply to the specific products and models described as at the date of issue. Under our policy of continuous product development, product specifications may change without notice. Prospective purchasers should therefore check with their retailer to ensure this publication correctly describes the products that are being offered for sale. All information supplied is to be used for general reference purposes only and is on the understanding that Electrolux Home Products Pty Ltd (Australia) and Electrolux (NZ) Ltd (New Zealand) will not be liable for any loss, liability or damage of whatever kind arising as a result of reliance on such information. Colours of products illustrated are as close as printing limitations allow. Electrolux will at all times comply with its obligations pursuant to law including Trade Practices (Australian Consumer Law) Act and Regulations.

WARRANTY

Electrolux Home Products warrants that for domestic applications the AEG appliances featured are free from defects in materials and workmanship for 5 years (3 months warranty for commercial applications). All warranties are subject to the conditions set out in the warranty card accompanying the product when purchased.

ELECTROLUX HOME PRODUCTS AUSTRALIA

telephone: 1300 363 664

fax: 1800 350 067

email: customercare@aegaustralia.com.au

web: www.aeg.com/au

ELECTROLUX HOME PRODUCTS NEW ZEALAND

telephone: 0800 10 66 10

fax: 09 573 2221

email: customercare@electrolux.co.nz

web: www.aeg.com/au