

60cm multifunction 21 matte black SenseCook oven with CookSmart Touch+, AI TasteAssist, PYROLUXE™ self cleaning function and food probe.

RRP AUS \$4,599.00



Product Details

FEATURES

CookSmart Touch+
CookSmart Touch+ guides your cooking at a touch.

AI TasteAssist
AI Taste Assist for connected, customised cooking.

Assisted Cooking
Assisted Cooking settings mean you can let your oven know what's cooking so it can handle the rest.

Easy to clean
Easy to clean with a simple wipe down.

AirFry
AirFry your food for a fried taste with less oil.

Food Sensor

Pyroluxe Cleaning
Self-cleaning pyrolytic function turns food residue and grease into ash for easy cleaning.

BENEFITS

MASTER EVERY DISH AT A TOUCH

CookSmart Touch+ takes intuitive cooking further. With guided recipes and advanced step-by-step functions, it helps you master even complex dishes with ease. Access favourites, recently used modes, and tailored assistance, bringing greater confidence to both everyday and ambitious meals.

DISCOVER AI ASSISTED COOKING

Optimise your cooking settings by sending a web recipe or copying the link into the app. The app leverages AI to customise the settings for your specific oven, such as temperature, time, function and pre-heating, to deliver the best possible result.

MEET YOUR PERSONAL CHEF

Assisted Cooking is your at-home sous chef. Scroll through menus to select a food category and the oven will generate the correct settings for the dish. You can even choose how you would like meats sealed and for added safety the oven will automatically power down after cooking.

A CLEAN OVEN WITH LESS EFFORT

The oven cavity coating ensures easy cleaning. Simply wipe off cooking residue with a soft cloth, mild detergent, and hot water.

WHY NOT FRY WITH LESS OIL

The mesh construction of the AirFry tray allows super-heated air to crisp the surface of ingredients to deliver a delicious fried taste and texture, with less oil.

PRECISION MEETS PERFECTION

The Food Sensor allows you to precisely monitor the cooking process and achieve perfect results according to your personal taste. The oven will let you know when your food has reached the right temperature.

CLEAN YOUR OVEN WITH EASE

The self-cleaning pyrolytic function takes all the effort out of keeping your oven clean. The oven is heated to a temperature that makes the grease and food residue turn to ash, which can then simply be wiped away with a damp cloth.

Specifications

PRODUCT PROFILE

Domestic warranty details (yrs)	5
Type of Oven	single pyrolytic oven
Oven fuel	electric
Materials/Colour	matte black
Controls of Oven	TFT touchscreen
Cooling fan	Yes

FLUSH FIT CUT OUT

Flush fit cut out height (mm)	590
Flush fit cut out width (mm)	560
Flush fit cut out depth (mm)	550

DIMENSIONS

PRODUCT DIMENSION

Total height (mm)	594
Total width (mm)	595
Total depth (mm)	567

MAIN OVEN

Useable capacity litres	71
Oven function	multifunction
Number of functions	21
Oven Functions	keep warm,defrost,bottom heat,bread baking,plate warming,preserving,slow cooking,roast,top heat,top+bottom,Dehydrating,Connectivity

ELECTRICAL CONNECTION

Connected load KW	3.25
Maximum current rating (amps)	14.77
Type of connection	hardwired

MAIN OVEN

Oven liner	enamel
Timer functions	Time of day,end,Delayed start

OTHER FEATURES

Number of Programmed functions	103
Auto cook programs	Yes
Cleaning	pyrolytic
Pyrolytic functions	3
Type of Pyrolytic functions	quick (1hr),normal (1.5hr),intense (2.5 hr)
Door	removable door,Soft close
Timer	Programmable timer
Telescopic runners	three
Shelf support	multi position side racks
Number of shelves	2
Safety features	isofront plus quadruple glazed door

OTHER FEATURES

Closed door grilling	Yes
Included accessories	wire shelves stainless steel x 2, dripping pan, cake tray, trivet, AirFry tray, 3 x telescopic runners
Layers of glass in door	4
Number of shelf positions	5
Food probe	Yes

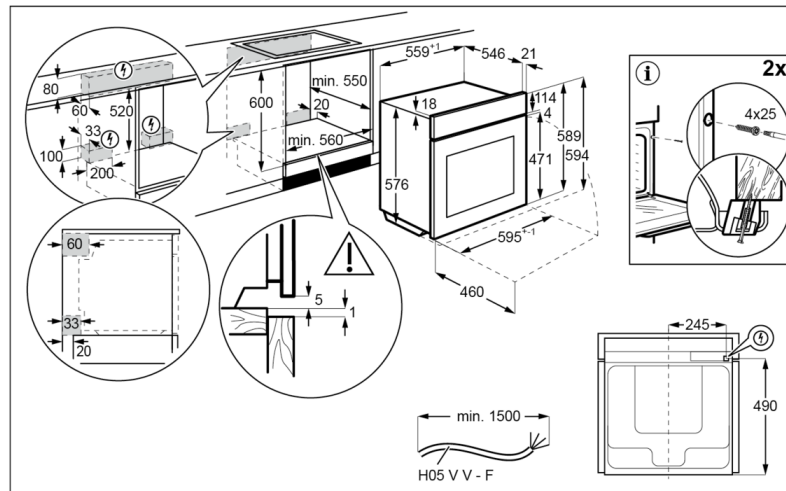
SHIPPING

Shipping Volume (m3)	0.285
Shipping Weight (Kg)	40.5
Pack Dimensions Height (mm)	670
Pack Dimension Width (mm)	635
Pack Dimension Depth (mm)	670

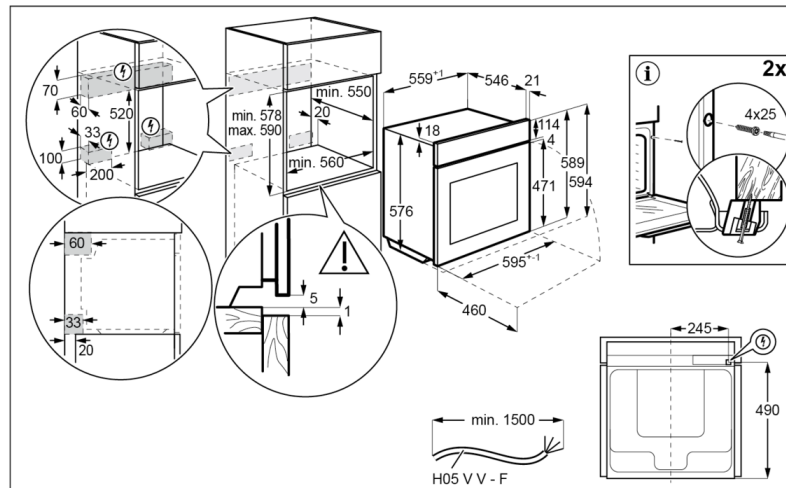
Dimensions

Model:
NBT9P831AT

UNDERBENCH



CABINET



Terms and Conditions

IMPORTANT

This is a guide of product dimensions only. For complete installation instructions, refer to the manual provided with product.

PRODUCT INFORMATION

The descriptors and illustrations in this publication apply to the specific products and models described as at the date of issue. Under our policy of continuous product development, product specifications may change without notice. Prospective purchasers should therefore check with their retailer to ensure this publication correctly describes the products that are being offered for sale. All information supplied is to be used for general reference purposes only and is on the understanding that Electrolux Home Products Pty Ltd (Australia) and Electrolux (NZ) Ltd (New Zealand) will not be liable for any loss, liability or damage of whatever kind arising as a result of reliance on such information. Colours of products illustrated are as close as printing limitations allow. Electrolux will at all times comply with its obligations pursuant to law including Trade Practices (Australian Consumer Law) Act and Regulations.

WARRANTY

Electrolux Home Products warrants that for domestic applications the AEG appliances featured are free from defects in materials and workmanship for 5 years (3 months warranty for commercial applications). All warranties are subject to the conditions set out in the warranty card accompanying the product when purchased.

ELECTROLUX HOME PRODUCTS AUSTRALIA

telephone: 1300 363 664

fax: 1800 350 067

email: customercare@aegaustralia.com.au

web: www.aeg.com/au

ELECTROLUX HOME PRODUCTS NEW ZEALAND

telephone: 0800 10 66 10

fax: 09 573 2221

email: customercare@electrolux.co.nz

web: www.aeg.com/au