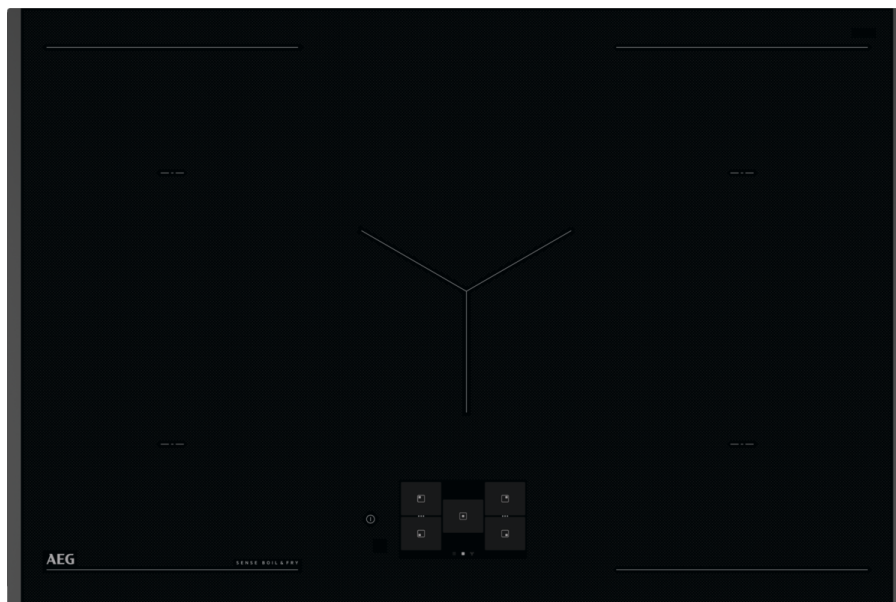


80cm 5 zone induction cooktop with Wi-Fi connected CookSmart Touch display and built-in assisted cooking functions. Features SenseBoil&Fry sensors, DoubleBridge zones and Hob2Hood functionality



Product Details

FEATURES

CookSmart Touch
CookSmart Touch guides you to cook perfect meals.

Assisted Cooking
Assisted cooking with a variety of auto settings.

SenseBoil&Fry
Smart sensors detect boiling and frying temperatures and adjust level automatically.

Wi-Fi Connectivity

DoubleBridge
Two bridge zones allow you to join cooking areas together to fit large pots or long pans.

PowerBoost
PowerBoost provides an instant burst of heat that is perfect for boiling potatoes or searing steak.

Hob2Hood
Hob2Hood automatically adjusts your hood settings so you can focus on creating delicious dishes.

Pause Function
The pause function sets zones to the lowest setting to keep dishes warm and prevent overcooking.

BENEFITS

Intuitive boiling and frying
Smart sensors prevent over boiling and ensure even frying. SenseBoil automatically lowers heat when water boils. SenseFry keeps the pan at the right temperature for perfect results - no guesswork, just precision cooking.

LIFE IS BETTER IN COLOUR
Enjoy an intuitive experience with the full-colour touch display. Choose the food you want to cook and the cooktop provides live feedback for each zone so that you can easily monitor the cooking process. It even gives you step-by-step instructions for excellent results, every time. Pan-sear steak with intense heat, and then instantly drop the temperature down to protect that beautifully juicy, medium-rare texture.

EFFORTLESS COOKING
Master culinary techniques with ease and achieve outstanding results with AEG assisted cooking functions. Dishes provides step-by-step instructions and automatic settings for your chosen dish. Functions is assisted cooking starting with the desired method, to Fry, Boil and Melt without the guesswork. Simplify cooking and expand your repertoire and your culinary confidence.

DOUBLE THE FLEX AND FLAVOUR
DoubleBridge means this cooktop has two Bridge zones, one on each side, which allows you to join cooking areas together in order to fit large pots or long pans. Sharing the same temperature and time setting, the linked zones are ideal when you're experimenting with a plancha or fish kettle.

A FRESHER KITCHEN. HANDS-FREE.

The wireless Hob2Hood function automatically adjusts your hood settings based on how you are cooking, leaving your hands free to focus on the food. The hood lights will automatically illuminate when your hob turns on and the fan speed will adjust depending on how powerfully you are cooking.

SUSTAINABLE COOKING

Let Eco tips help you take a more sustainable approach to cooking. This function automatically displays easy-to-action suggestions to implement every time you cook to save energy without compromising on results.

Specifications

PRODUCT PROFILE

Domestic warranty details (yrs)	5
Cooktop type	induction
Materials/Colour	black ceramic glass
Trim finish	bevelled sides only

DIMENSIONS

Total product height (mm)	48
Total product width (mm)	780
Total product depth (mm)	520
Cut out width (mm)	750
Cut out depth (mm)	490
Cut out height (mm)	44

CONTROLS

Controls of Cooktops	Colour TFT Touchscreen
Position of controls	front
Functions of Cooktops	acoustic signal,Hob2Hood,timer,pause,Melting,Bridging,PowerBoost,Pot detection,SenseBoil & Fry
Indicators/display	3 level residual heat indicator
Features of Cooktop	sound off,safety child lock,key lock function,auto pot sensors,Hob2Hood,Bridge zone,SenseFry,SenseBoil

ELEMENTS/BURNERS

LEFT FRONT ZONE

Left front zone	Bridge
Left front Watts	2300
Left front boost watts	3200
Left front diameter mm	210

CONTROLS

Timer of Cooktop countdown

LEFT REAR ZONE

Left rear zone Bridge

Left rear watts 2300

Left rear diameter mm 210

CENTRE REAR ZONE

Centre rear zone induction

Centre rear Watts 2300

Centre rear diameter mm 210

RIGHT FRONT ZONE

Right front zone induction

Right front Watts 2300

Right front diameter mm 210

RIGHT REAR ZONE

Right rear zone induction

Right rear watts 2300

Right rear diameter mm 210

ELECTRICAL SPECIFICATIONS

Connected load KW 7.35

Type of connection hardwired

SHIPPING

Shipping Volume (m3) 0.060

Shipping Weight (Kg) 15

Pack Dimensions Height
(mm) 118

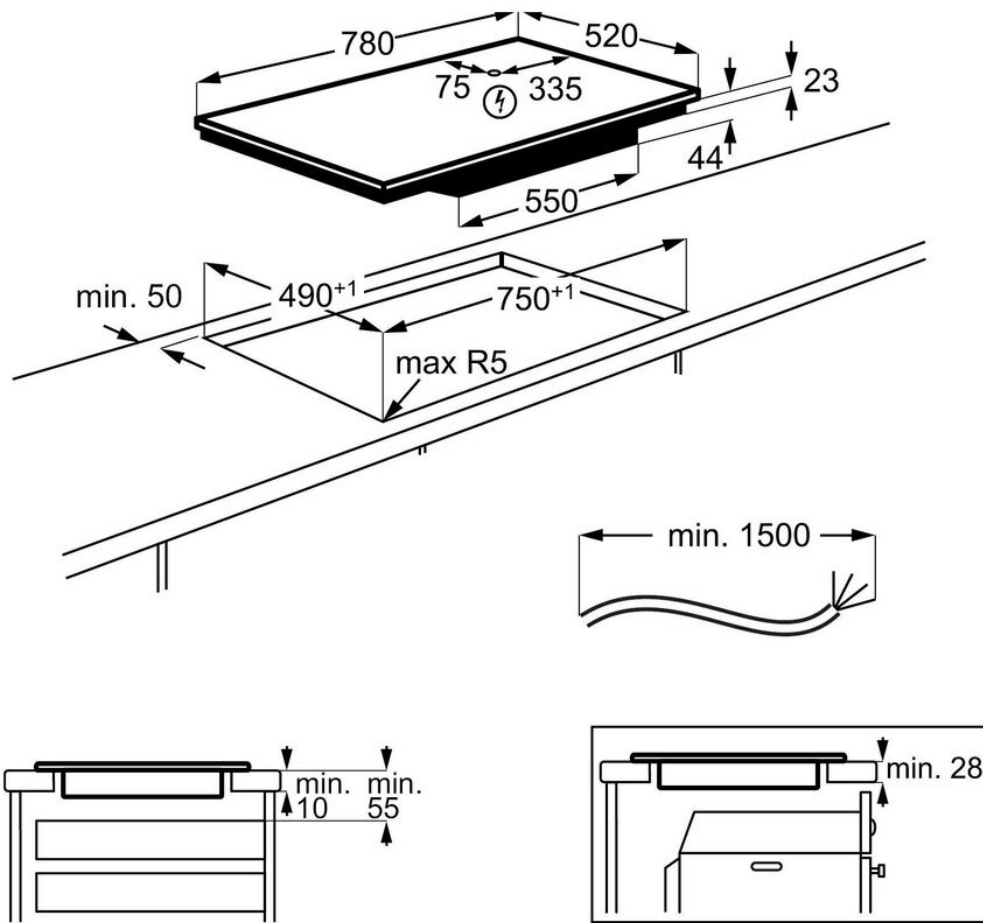
SHIPPING

Pack Dimension Width (mm)	850
------------------------------	-----

Pack Dimension Depth (mm)	600
------------------------------	-----

Dimensions

Model:
NIH85M30FB



© 2024 Electrolux S.E.A PTE. LTD. AEG_DIM_NIG85M30FB_Sep24

Terms and Conditions

IMPORTANT

This is a guide of product dimensions only. For complete installation instructions, refer to the manual provided with product.

PRODUCT INFORMATION

The descriptors and illustrations in this publication apply to the specific products and models described as at the date of issue. Under our policy of continuous product development, product specifications may change without notice. Prospective purchasers should therefore check with their retailer to ensure this publication correctly describes the products that are being offered for sale. All information supplied is to be used for general reference purposes only and is on the understanding that Electrolux Home Products Pty Ltd (Australia) and Electrolux (NZ) Ltd (New Zealand) will not be liable for any loss, liability or damage of whatever kind arising as a result of reliance on such information. Colours of products illustrated are as close as printing limitations allow. Electrolux will at all times comply with its obligations pursuant to law including Trade Practices (Australian Consumer Law) Act and Regulations.

WARRANTY

Electrolux Home Products warrants that for domestic applications the AEG appliances featured are free from defects in materials and workmanship for 5 years (3 months warranty for commercial applications). All warranties are subject to the conditions set out in the warranty card accompanying the product when purchased.

ELECTROLUX HOME PRODUCTS AUSTRALIA

telephone: 1300 363 664

fax: 1800 350 067

email: customercare@aegaustralia.com.au

web: www.aeg.com/au

ELECTROLUX HOME PRODUCTS NEW ZEALAND

telephone: 0800 10 66 10

fax: 09 573 2221

email: customercare@electrolux.co.nz

web: www.aeg.com/au