

**Series 6, Integrated Design Hood, 60 cm, clear glass black printed, Matt black
DBB67DP60A**



- DWZ11B1B6 Long-life Clean Air odor filter (repl.)
- DWZ11B1J6 Long-life Clean Air recirculation kit
- DWZ11B6K2 Chimney extension 450-854 mm
- DWZ11B6N2 Chimney extension 187-360 mm

- **EcoSilence Drive™**: the powerful, energy-efficient motor that runs quietly.
- **Glass panel with DirectSelect**: easy touch control and kitchen cabinet protection.
- **Smart Hood Automatic**: adjusts the fan speed based on cooktop* settings for stress-free cooking.
- **Maximum storage space**: the T-shaped design offers lots of space and up to 20kg load capacity.
- **Fingerprint resistant design**: elegant carbon black finish with reduced fingerprint visibility.

Typology: Built-in/Built-under
 Length electrical supply cord: 130 cm
 Required niche size for installation (HxWxD): ... 340mm x 560.0mm x 300mm mm
 Height of product, without chimney: 60 mm
 Minimum distance above an electric cooktop: 600 mm
 Minimum distance above a gas cooktop: 650 mm
 Net weight: 9.0 kg
 Type of control: Electronic
 Number of power settings: 3-stages + intensive setting
 Max. air extraction: 433 m³/h
 Boost position output recirculating: 556.0 m³/h
 Max. air recirculation: 413 m³/h
 Boost position air extraction: 699 m³/h
 Number of lights: 2
 Noise level: 57 dB(A) re 1pW
 Diameter of air outlet: 150 mm
 Grease filter material: Washable stainless steel
 EAN code: 4242005530267
 Connection rating: 115 W
 Voltage: 220-240 V
 Frequency: 50 Hz
 Plug type: AU plug
 Installation type: Built-in



Series 6, Integrated Design Hood, 60 cm, clear glass black printed, Matt black DBB67DP60A

Design:

- Installation in a upper kitchen cabinet
- Flush-fitted installation for a seamless integration in upper kitchen cabinets
- Glass panel: clear glass black printed
- Clever Storage Solution: rangehood can hold up to 10 kg on each side
- Suitable for ducted or recirculated extraction

Features:

- EcoSilence Drive: Efficient BLDC technology
- 2 x LED 3W with adjustable colour temperature lights
- SoftLight: the lighting elements switch on and off smoothly.
- Dimming function: the brightness of the lighting elements can be adjusted.
- Colour Temperature: 3500 K
- Light Intensity: 437 lux
- 2 metal grease filter(s)

Comfort Features:

- Glass panel with touch control for an easy operation and enhanced steam and vapour capture.
- Kitchen cabinet protection: additional side and rear protection against steam and vapour
- The fan and light are automatically turned on and off by opening and closing the glass panel.
- Touch Light: independently turn the light on or off when the glass panel is closed, by tapping on control area
- DirectSelect control backlit
- 3 power settings plus intensive setting
- Automatic reset from intensive to normal setting after 6 min
- Automatic after running (10 minutes)

Digital Features:

- Home Connect: operate, monitor and set preferences of your rangehood via smartphone or tablet.
- Cooktop-based rangehood control: automatically activates the rangehood when cooking, thanks to the WiFi connection of the rangehood and a suitable cooktop.
- Smart Hood Automatic: Rangehood automatically adapts fan speed thanks to cooktop continuously providing cooking data (works with all current Series 6 induction hobs; for other Home Connect cooktops, the rangehood can be controlled directly from the cooktop, provided a connected Home Connect account is available)
- Voice Control enabled via popular voice assistants
- Customisable Performance Profiles: choose between standard, performance or silence profiles to increase the extraction rate or reduce the fan noise via Home Connect App
- Favourite Button: directly access favourite functions with a configurable button (available with connected Home Connect account).
- Smart home trigger, via Favourite button (available with connected Home Connect account): open up the smart universe from your rangehood (partner service required).
- LED light with adjustable light temperature: Allows you to adapt

the light temperature to your personal needs via Home Connect App

- Saturation indicator, set and reset function for grease filter and odour filter available via Home Connect app.
- After run function: available via Home Connect App
- Interval function: available via Home Connect App
- The Home Connect functionality can be extended by integrating numerous applications from external cooperation partners (partnerships)
- Updateable appliance (available with connected Home Connect account): keep appliance always up to date with latest status of software.

Cleaning Comfort:

- Easy to clean smooth surfaces and materials
- Metal grease filter dishwasher-safe
- Coated surfaces to reduce fingerprints

Exhaust/Ducted Mode:

- According to EN 61591 and EN/ IEC 60704-2-13 your appliance can achieve the following values in exhaust mode: Speed 1: extraction rate 244 m³/h; noise level 42 dB (A) re1pW Speed 2: extraction rate 339 m³/h; noise level 50 dB (A) re1pW Speed 3: extraction rate 433 m³/h; noise level 57 dB (A) re1pW Intensive 1: extraction rate 699 m³/h; noise level 68 dB (A) re1pW

Recirculation Mode:

- For recirculation operation Long-life Clean Air recirculation kit (accessory) needed
- The Long-life Clean Air odour filter absorbs intense odours, such as fish, as well as pollen. The lifetime can be extended up to 4 times by refreshing the filter in the oven
- According to EN 61591 and EN/ IEC 60704-2-13 your appliance can achieve the following values in recirculation mode with Long-life Clean Air recirculation kit (available as optional accessory):
- Speed 1: extraction rate 231 m³/h; noise level 53 dB(A) re1pW
- Speed 2: extraction rate 329 m³/h; noise level 61 dB(A) re1pW
- Speed 3: extraction rate 413 m³/h; noise level 66 dB(A) re1pW
- Intensive Speed 1: extraction rate 556 m³/h; noise level 72 dB (A) re1pW

Technical Information:

- Consumption data:
- Power rating: 115 W
- Voltage: 220 - 240 V
- Sustainability:
- Made in Germany: produced at a CO₂ neutral production site
- Expanded plastic free packaging
- Available Long-life Clean Air odour filter with extended lifetime up to 4 times

Planning and Installation Information:

- Install into a 60cm wide upper kitchen cabinet
- Integrated Design Rangehood comfort installation: easy one -person installation system
- Appliance dimensions (HxWxD): 340 x 598 x 298 mm
- Built-in dimensions (HxWxD): min. 340 mm x 560 mm x min. 300 mm
- Enclosed spacers for installation in upper kitchen cabinets with maximum depth of up to 360 mm
- For installation in higher kitchen cabinets chimney extensions are available as optional accessories
- Diameter pipe Ø 150 mm

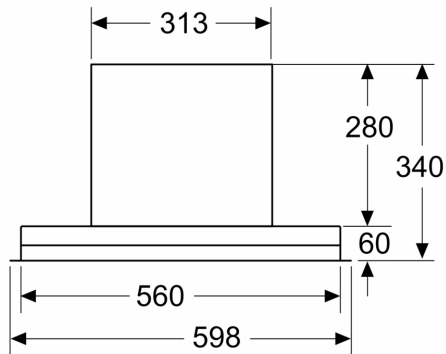


- Electrical cable length 1.3 m

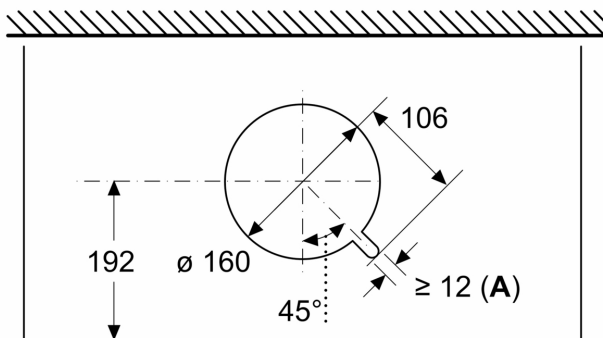
test

**Series 6, Integrated Design Hood, 60 cm, clear glass black printed, Matt black
DBB67DP60A**

Measurements in mm
Front view

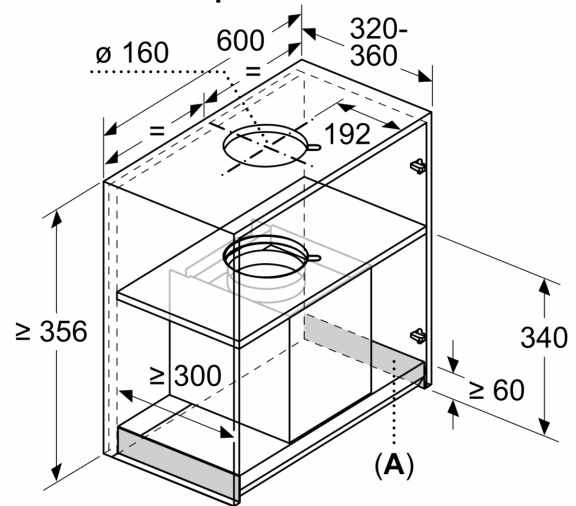


Measurements in mm
View from above



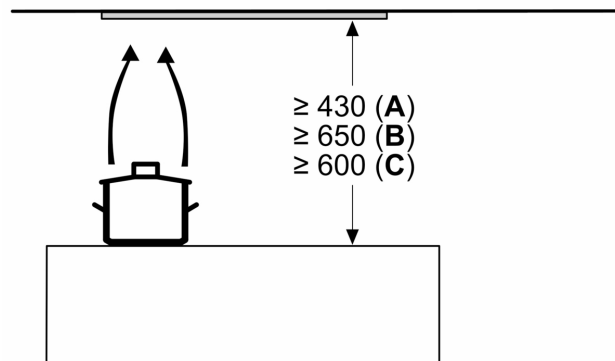
A: Cable bushing

Measurements in mm
Installation example



A: Area without hinges

Measurements in mm

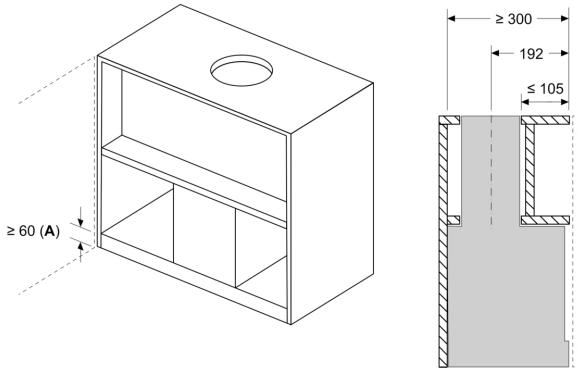


A: Electric

B: Gas - from upper edge of pan support

C: Electric - for Australia and New Zealand

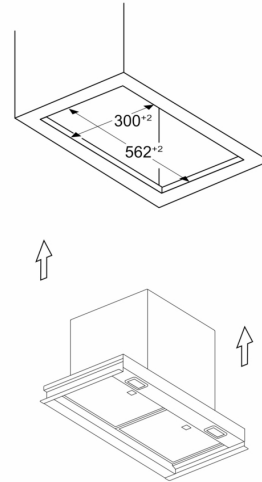
Measurements in mm
Installation example with spice rack



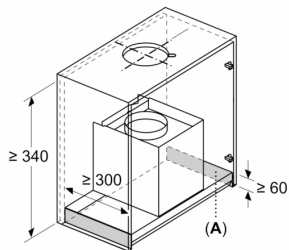
A: Area without hinges

Installation example in cupboards with crossbar, if installation with chimney extension (other accessories) not possible

Measurements in mm
Installation example in furniture cut-out



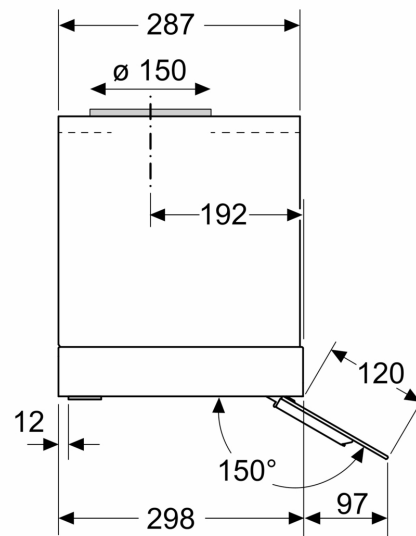
Measurements in mm
Installation requirements for replacement business



A: Area without hinges

Installation requirements for replacing existing built-in hood solutions with integrated design hood without replacing the cupboard

Measurements in mm
Side view



Measurements in mm

