

Series 6, washing machine, front loader, 9 kg, , Cast iron grey WGG2441RAU



- **i-DOS:** Automatically measures the precise amount of detergent and water needed.
- **Speed Perfect:** Perfectly clean in up to 65% less time. ¹
- **AllergyPlus:** Developed for allergy sufferers and people with sensitive skin.
- **Iron Assist:** Reduce wrinkles up to 50%.
- **Vario Drum:** Gently and efficiently wash with even water distribution and without creasing garments.

Maximum capacity in kg :	9.0 kg
Built-in / Free-standing:	Free-standing
Dimensions of the product:	845x598x590 mm
Net weight:	75.5 kg
Connection rating:	2300 W
Fuse protection:	10 A
Voltage:	220-240 V
Frequency:	50 Hz
Length electrical supply cord:	210 cm
Door hinge:	Left
Wheels:	No
EAN code:	4242005547302
Installation type:	Free-standing



4 242005 547302

WMZ2200 Floor securing component
 WMZ2381 Extension for cold water inlet /Aquastop

¹ Difference between the duration of Easy Care program 40°C and the duration of Easy Care program 40°C with SpeedPerfect. Duration of time saved varies based on load size.

Series 6, washing machine, front loader, 9 kg, , Cast iron grey WGG2441RAU

Capacity

- Capacity: 9 kg

Consumption rates

- 5 Star Energy Rating
- Energy consumption 212 kWh per year, based on Cottons Eco, 60°C, program at 1400 RPM seven times per week. When tested in accordance with AS/NZS 2040.2. Actual energy use and running costs will depend on how you use the appliance.
- 4.5 Star water rating (WELS)
- Water consumption 78 l litres per wash. Using the Cottons Eco program at 60°C with 1400 RPM spin speed. In accordance with AS/NZS 6400. Actual water consumption will depend on how the appliance is used. C46072.

Programs

- Standard programs:
- Cottons: hard-wearing items made from cotton, linen or blended fabrics
- Cotton Eco: energy-saving program
- Easy care: items made from synthetic or blended fabrics
- Delicate/Silk: delicate, washable items made from silk, viscose and synthetics
- Wool: hand or machine washable items that are made from wool or contain wool
- Additional specialty programs:
- AllergyPlus/Hygienic: suits items that need to be hygienically clean such as towels, bed sheets or pillow cases
- Automatic 30°C: gentle laundry care for delicate items, the degree of soiling and the type of fabric are automatically detected and the washing process is adapted
- Iron Assist - with added steam for wrinkle reduction
- Shirts/Blouses: non-iron shirts and blouses made from cotton, linen, or blended fabrics
- Spin/Drain: spins and drains the water
- Mixed: lightly soiled items made from cotton, linen or blended fabrics
- Sportswear: sports and leisure items made from synthetic fibres, microfibre or fleece
- Rinse: rinses and then spins the laundry, and then drains the water
- Super 15'/30': short program for small lightly soiled items
- TouchControl buttons include:
- Prewash options for stubborn stains and heavily soiled garments
- Finish in (delayed start): delay the start of the program by up to 24 hours
- Spin Speed: manually adjust the spin speed
- AntiStain: Selection options of Grass, Red Wine, Oil/Butter and Blood
- Start/Pause with Reload function: allows you to add a forgotten garment even after the wash cycle has started
- Temperature selection: manually adjust the temperature
- SpeedPerfect: reduce cleaning time by up to 65%

Features

- i-DOS: automatic dosing of liquid detergent and softener
- SpeedPerfect: perfectly clean in up to 65% less time.

- Iron Assist: Steam programme that reduces wrinkles on dry clothes
- Reload function to pause machine operation for adding in last minute laundry items
- Large LED display for program status, temperature, spin speed, and time remaining
- LED interior drum light bathes the inside of the drum in a brilliant white light when opened
- automatic programme: sensorcontrolled washing and dosage
- VarioDrum: thorough yet gentle washing thanks to the unique drum structure design
- Large porthole, silver-black grey with 165° door for easy loading/unloading
- EcoSilence Drive: quiet, durable, and energy-efficient brushless motor (BLDC) with 10-year motor warranty
- ActiveWater Plus: for highly efficient use of water even with small loads thanks to automatic load detection.
- AntiVibration Side Panels reduce vibrations and noise levels, making it extremely quiet during the spin cycle
- Sound insulation by bottom cover
- soft dial
- Foam detection system to remove excessive foam
- Unbalanced load detection
- Buzzer at the end of the programme
- Turbidity sensor
- Drum volume: 65 l

Performance

- Spin speed 400 - 1400 rpm
- Operating noise level (based on Cotton 60°C program): wash 48 / 75 spin dB(A)

Safety

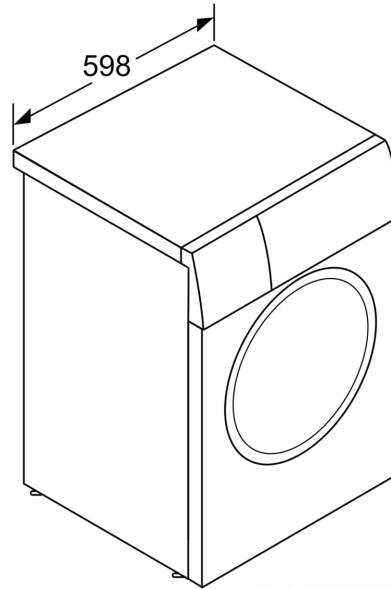
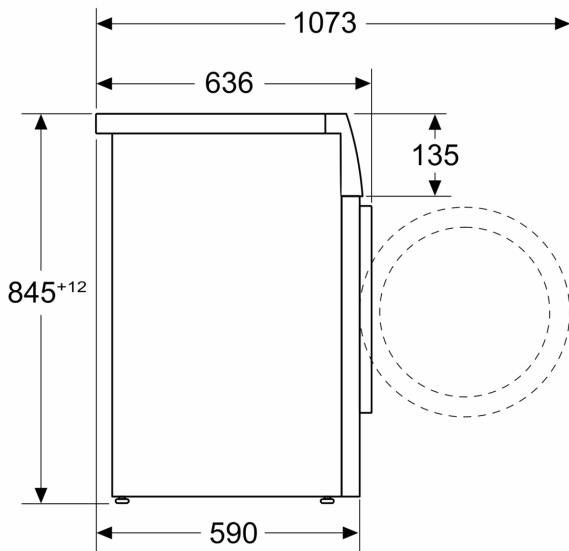
- Child safety control lock

Technical Information

- Stackable with a stacking kit fitting to the tumble dryer
- Slide-under height of 85cm
- Dimensions (H x W x D): 84.5 cm x 59.8 cm x 59.0 cm (63.6 cm including door handle)
- Consumption Indication: Information about energy consumption

**Series 6, washing machine, front loader, 9 kg, , Cast iron grey
WGG2441RAU**

Measurements in mm



measurements in mm