

**Series 6, washing machine, front loader, 10 kg, 1400 rpm
WGG254Z1AU**



Perfect results at the minimum water consumption, even with smaller loads thanks to ActiveWater Plus.

- **Iron Assist:** Reduce wrinkles up to 50%.
- **Speed Perfect:** Perfectly clean in up to 65% less time.¹
- **AntiStain:** Reliably removes 4 common stains.
- **AllergyPlus:** Developed for allergy sufferers and people with sensitive skin.
- **ActiveWater Plus:** For highly efficient use of water even with smaller loads thanks to automatic load detection.

Maximum capacity in kg :	10.0 kg
Built-in / Free-standing:	Free-standing
Dimensions of the product:	845x598x590 mm
Net weight:	76.5 kg
Connection rating:	2300 W
Fuse protection:	10 A
Voltage:	220-240 V
Frequency:	50 Hz
Length electrical supply cord:	210 cm
Door hinge:	Left
Wheels:	No
EAN code:	4242005547326
Installation type:	Free-standing



- WMZ2200 Floor securing component
WMZ2381 Extension for cold water inlet /Aquastop

¹ Difference between the duration of Easy Care program 40°C and the duration of Easy Care program 40°C with SpeedPerfect. Duration of time saved varies based on load size.

Series 6, washing machine, front loader, 10 kg, 1400 rpm WGG254Z1AU

Perfect results at the minimum water consumption, even with smaller loads thanks to ActiveWater Plus.

Capacity

- Capacity: 10 kg

Consumption rates

- 5.5 Stars
- Energy consumption 185 kWh kWh per year, based on Cottons Eco 60°C program at 1400 RPM seven times per week. When tested in accordance with AS/NZS 2040.2. Actual energy use and running costs will depend on how you use the appliance.
- 4.5 Star water rating (WELS)
- Water consumption 86 l litres per wash. Using the Cottons Eco program at 60°C with 1400 RPM spin speed. In accordance with AS/NZS 6400. Actual water consumption will depend on how the appliance is used. C46074.

Programs

- Standard programs:
 - Cottons: hard-wearing items made from cotton, linen or blended fabrics
 - Cotton Eco: energy-saving program
 - Easy care: items made from synthetic or blended fabrics
 - Delicate/Silk: delicate, washable items made from silk, viscose and synthetics
 - Wool: hand or machine washable items that are made from wool or contain wool
- Additional specialty programs:
 - AllergyPlus/Hygienic: suits items that need to be hygienically clean such as towels, bed sheets or pillow cases
 - Iron Assist - with added steam for wrinkle reduction
 - Shirts/Blouses: non-iron shirts and blouses made from cotton, linen, or blended fabrics
 - Easy Care: items made from synthetic or blended fabrics
 - Spin/Drain: spins and drains the water
 - Mixed: lightly soiled items made from cotton, linen or blended fabrics
 - Sportswear: sports and leisure items made from synthetic fibres, microfibre or fleece
 - Rinse: rinses and then spins the laundry, and then drains the water
 - Super 15'/30': short program for small lightly soiled items
- TouchControl buttons include:
 - Easy Iron: reduces creasing thanks to a special spin sequence
 - Prewash options for stubborn stains and heavily soiled garments
 - Finish in (delayed start): delay the start of the program by up to 24 hours
 - Spin Speed: manually adjust the spin speed
 - AntiStain: Selection options of Grass, Red Wine, Oil/Butter and Blood
 - Start/Pause with Reload function: allows you to add a forgotten garment even after the wash cycle has started
 - Temperature selection: manually adjust the temperature

- SpeedPerfect: reduce cleaning time by up to 65%

Features

- Iron Assist: Steam programme that reduces wrinkles on dry clothes
- SpeedPerfect: perfectly clean in up to 65% less time.
- ActiveWater Plus: for highly efficient use of water even with small loads thanks to automatic load detection.
- Reload function to pause machine operation for adding in last minute laundry items
- Large LED display for program status, temperature, spin speed, and time remaining
- LED interior drum light bathes the inside of the drum in a brilliant white light when opened
- VarioDrum: thorough yet gentle washing thanks to the unique drum structure design
- Large porthole, silver-black grey with 165° door for easy loading/unloading
- EcoSilence Drive: quiet, durable, and energy-efficient brushless motor (BLDC) with 10-year motor warranty
- AntiVibration Side Panels reduce vibrations and noise levels, making it extremely quiet during the spin cycle
- Sound insulation by bottom cover
- Self cleaning detergent drawer to remove detergent residue, From front
- Foam detection system to remove excessive foam
- Unbalanced load detection
- Buzzer at the end of the programme
- soft dial
- XXL Drum volume: 70 l
- Automatic load detection
- Consumption Indication: Information about energy consumption

Performance

- Spin speed 400 - 1400 rpm
- Operating noise level (based on Cotton 60°C program): wash 49 / 73 spin dB(A)

Safety

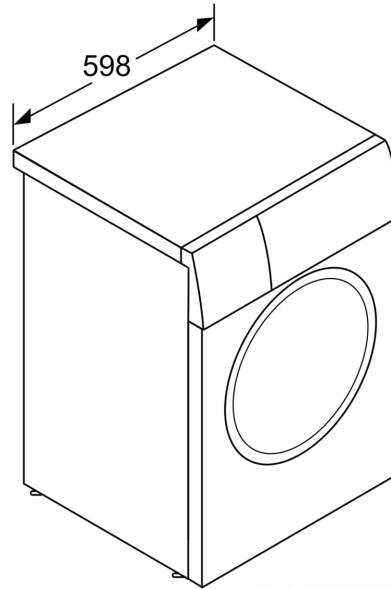
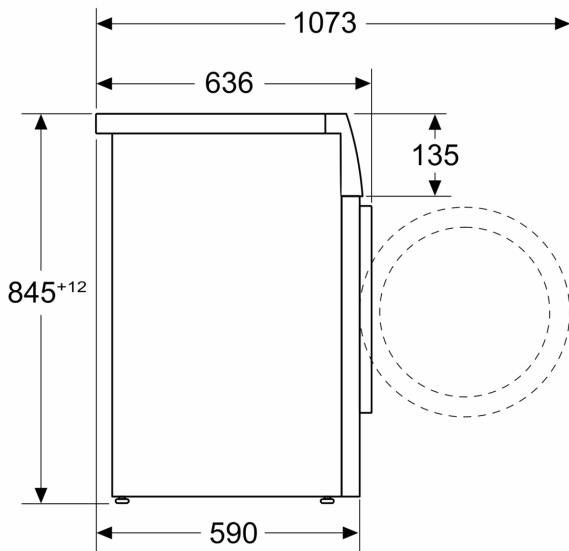
- Child safety control lock

Technical Information

- Stackable with a stacking kit fitting to the tumble dryer
- Slide-under height of 85cm
- Dimensions (H x W x D): 84.5 cm x 59.8 cm x 59.0 cm (63.6 cm including door handle)

**Series 6, washing machine, front
loader, 10 kg, 1400 rpm
WGG254Z1AU**

Measurements in mm



measurements in mm