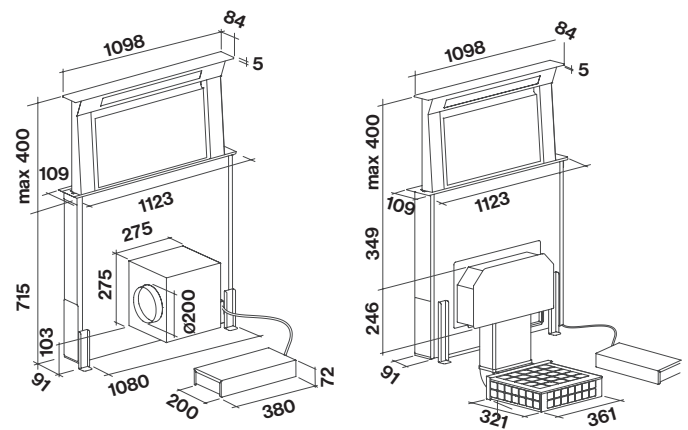




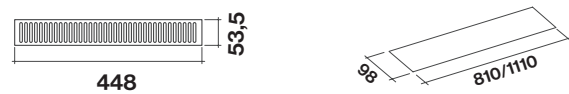
Product Features

Motor Type	Off Board
Dimensions	1098(W) x 400(H) x 84(D)mm Suits 75cm-100cm Cooking Surfaces
Filtration Type	Perimeter Suction
Lighting	LED Strip
Controls	Touch Controls
Speed Settings	3 Speed + Boost
Timer Function	15 Min Auto Shut-Off
Ducting	200mm Circular Outlet + 6m of Flexible Ducting Supplied
Included Accessories with Inline Motor	90° Elbow Wall Vent 5m Flexi Ducting
Included Accessories with Recirculating Motor	Carbon.Zeo Filter Rectangular Vertical Elbow Rigid Rectangular Ducting Base Board Vent
Remote Control	Optional
Grease Filter Alarm	Yes
Dishwasher Safe Filters	Yes

Dimensioned Drawings



BASE BOARD VENT



Model Code	Motor Output	Finish
F8DD12B1-UC600	600 m ³ /hr	Black Glass
F8DD12B1-IN950	950 m ³ /hr	Black Glass
F8DD12B1-IN1300	1300 m ³ /hr	Black Glass
F8DD12S1-UC600 •	600 m ³ /hr	Stainless Steel
F8DD12S1-IN950	950 m ³ /hr	Stainless Steel
F8DD12S1-IN1300 •	1300 m ³ /hr	Stainless Steel

Special Order •