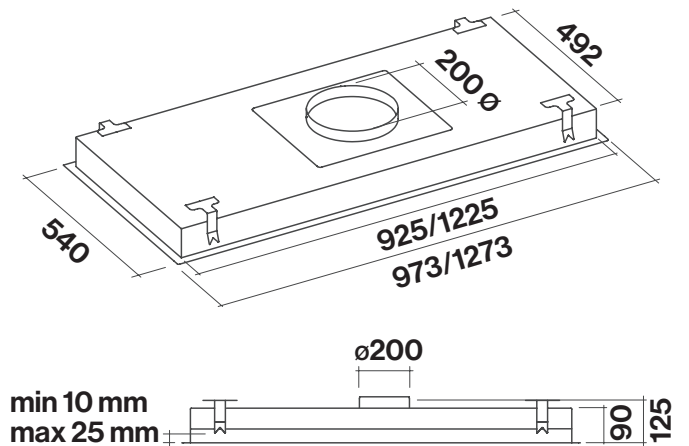




Product Features

Motor Type	Off Board
Dimensions	90cm: 925(W) x 90(H) x 540 (D) Suits 75cm-100cm Cooking Surfaces 120cm: 1273(W) x 90 (H) x 540(D) Suits 90cm-130cm Cooking Surfaces
Filter	Perimeter Suction
Lighting	4 x LED
Controls	Touch Control
Speed Settings	3 Speed + Boost
Timer Function	15 Min Auto Shut-Off
Ducting	200mm Circular Outlet + 6m of Flexible Ducting Supplied
Included Accessories	90° Elbow Wall Vent (Inline Motor Only)
Remote Control	Included
Grease Filter Alarm	Yes
Dishwasher Safe Filters	Yes

Dimensioned Drawings



* Maximum distance from cooktop 150cm

Model Code	Size	Motor Output	Finish
F9ST90S1-IN1300 •	90cm	1300 m ³ /hr	Stainless Steel
F9ST90S1-EW1500 •	90cm	1500 m ³ /hr	Stainless Steel
F9ST90W1-IN1300 •	90cm	1300 m ³ /hr	White
F9ST90W1-EW1500 •	90cm	1500 m ³ /hr	White
F9ST12S1-IN1300 •	120cm	1300 m ³ /hr	Stainless Steel
F9ST12S1-EW1500 •	120cm	1500 m ³ /hr	Stainless Steel

Special Order •