

Cento
Single lever kitchen mixer XL, pull-out spray, 2jet
 Finish: **Chrome** Article Number: **14803003**



Description

product features

- swivel range 150°
- normal spray, shower spray
- lockable shower spray, spray returns through pressing spray diverter
- connection dimension: DN15
- maximum flow rate at 3 bar: 7 l/min
- ceramic cartridge with Eco handle position for a reduced flowrate by up to 50%
- connection type: G 1/2 connections
- temperature limitation adjustable
- suitable for continuous flow water heaters
- extension length up to 50 cm

Technology



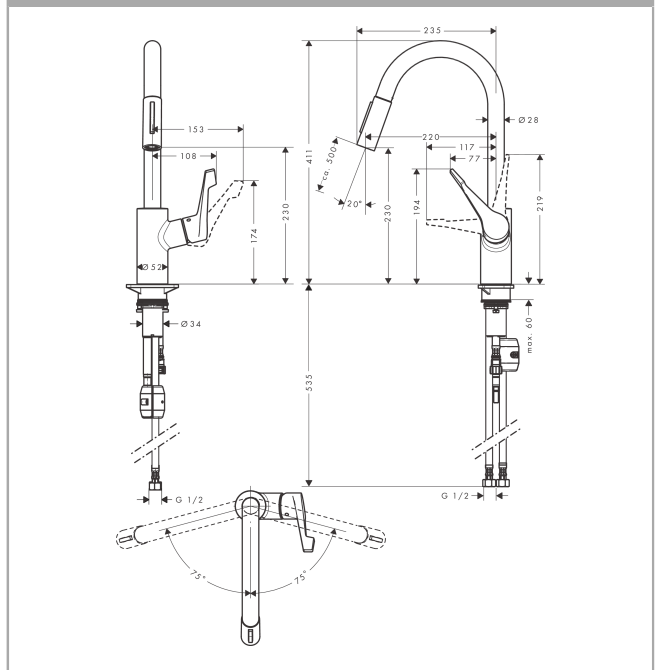
Certificates / Sustainability



Product image



Scale drawing



Flowchart

