
ICNh 5133

Integrated fridge-freezer with
EasyFresh and NoFrost

LIEBHERR

Fully Integrated



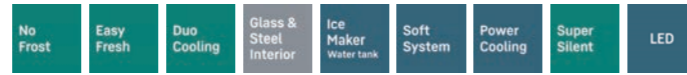
Fully Integrated

ICNh 5133

Plus

Fully Integrated

Features



Total Usable Volume Litres	254
Energy consumption (kWh/yr) I Star rating	182 / 5.5
Climate Rating	SN-T (+10°C to +43°C)
Noise Output	34 dB(A)
Display	Touch
Defrosting	Automatic
Frequency / Voltage	50-60 Hz / 220-240 V-
Connection Rating	1.4 A 183 W

Refrigerator

Forced air system	PowerCooling
FreshAir Activated Charcoal Filter	Yes
Interior Light	LED
Drawers	1 EasyFresh, 1 VarioSpace
Divisible Glass Shelf	Yes
GlassLine Door interior	Yes
Rear Wall	SmartSteel
Inside Door	White Polystyrol

Freezer

Freezing capacity in 24 hours	6 kg
Number of Drawers	3
Icemaker	1.3 litre water tank supply
Ice cube capacity in 24 hours	1.2 kg
Ice cube stock	5.0 kg

Type of appliance

Type	Integrated Fridge / Freezer Combination
Door assembly	Integrated Door on Door

Installation Dimensions

Height	177.2-178.8 cm
Width	56-57 cm
Depth	min. 55 cm

Other

Smart DeviceBox	Optional
Door Hinges	right, reversible
EAN	4016803078876



NoFrost

When you open your freezer, you want to see frozen food – and certainly not ice and frost. NoFrost protects the freezer compartment from unwanted icing, which consumes a lot of energy and can be expensive. NoFrost means no more tedious and time-consuming defrosting of the freezer compartment, more time for other things – and saving money.



EasyFresh

The guarantee of market freshness in the home is our EasyFresh-Safe. Whether it's unpackaged vegetables or fruit, this ensures optimal storage for everything. Thanks to the air-tight closure, the food causes the humidity in the safe to rise. This keeps the food fresh for a long time.



DuoCooling

DuoCooling uses two completely separate refrigeration circuits to ensure no air is exchanged between the fridge and freezer compartments. The food neither dries out nor is odour transferred. This means throwing less away, shopping less often, but saving more and greater enjoyment.



Touch display

Fingertip control: the touch display enables easy and intuitive operation of your Liebherr. All functions are clearly arranged on the display. By gently tapping a finger, for example, you can easily select the functions or check the current temperature of your refrigerator.



SmartSteel rear wall

The rear wall in elegant SmartSteel gives your Liebherr a stylish look and feel. Your food will also love SmartSteel as stainless steel is food-safe and hygienic. SmartSteel also reduces the visibility of fingerprints – making the appearance even more pleasing.

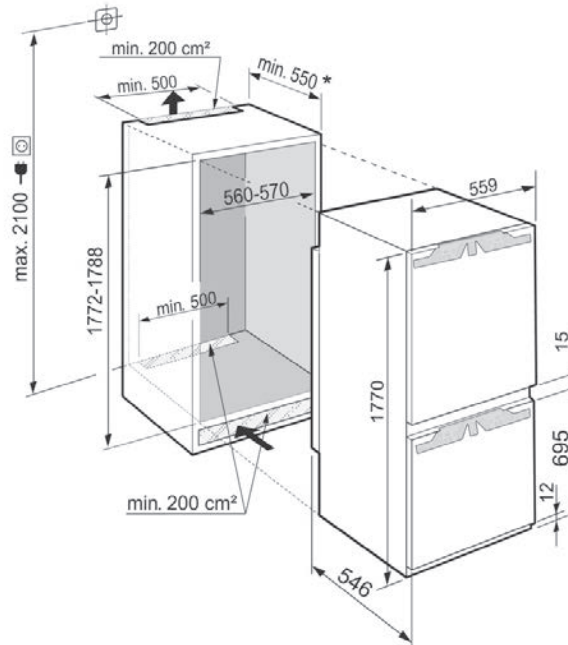


IceMaker with water tank

Whether it's for a party or a spontaneous cocktail, the integrated IceMaker means you always have enough ice cubes in stock. With the IceMaker with water tank, you simply fill the removable water tank with water. The MaxIce function allows you to produce up to 1.5 kg of ice cubes a day. The ice cube separator helps to divide the drawer as you wish, for example, ice cubes on the left, ice cream on the right.

Diagrams

Installation Diagram



* Recommended: 560 mm

Products and their details are staged for advertising purposes. Whilst every effort is made to ensure all specifications and information in this flyer are accurate, Liebherr reserves the right to make changes without notification. Where actual appliance measurements, specifications, and ratings are crucial, we recommend that the actual appliance installation instructions that accompany each appliance be checked. Liebherr will not be liable for any loss. (22.02.2022)