

TEA325WP 8kg Active T1 heat-pump dryer



- Heat pump technology – low consumption, gentle drying
- PerfectDry ensures that your laundry is not too damp or too dry
- EcoDry for efficient performance over the entire tumble dryer service life**
- FragranceDos ensures your laundry smells wonderfully fresh after drying***

** Patent EP 2 455 537

*** Patent EP 2 431 516

EAN: 4002516870029 / Material number: 12704880

Construction type	
Appliance colour	Lotus white
Suitable for stacking	•
Door hinging	Left
Built-in	•
Can be built-under	•
Design	
Door design	Graphite Grey PearlFinish
Control panel version	Straight
Display	EasyControl yellow
Drying results	
PerfectDry precision drying	•
HygieneDry	–
Convenience features	
Networking with Miele@home	–
Wash2Dry	–
Delay start up to 24 hours	•
Time of day display	–
Drum lighting	LED
Integrated condensed water drainage	•
AddLoad	•
Efficiency and sustainability	
Energy rating	9 Stars
Energy rating registration	ACD0832
Annual energy consumption in kWh	112
EcoFeedback	–
Maintenance-free heat exchanger	•
ProfiEco motor	•
Drying programmes	
Shirts	•
Silks handcare	–
Woollens handcare	•
Express	•
Outerwear	–
Proofing	•
Sportswear	–
Cottons hygiene	–
Pre-Ironing	•
Bed linen	•
Drying extras	
Anti-crease	•
Buzzer	•
Quick	–
DryCare 40	–
DryFresh	–
PowerFresh	–

TEA325WP 8kg Active T1 heat-pump dryer



EAN: 4002516870029 / Material number: 12704880

Technical data

Dimensions (H x W x D) in mm	850 x 596 x 636
Appliance depth in mm with opened door	1054
Type of coolant	R290
Refrigerant quantity in kg	0.11

Accessories supplied

Fragrance flacon	•
Coupon	•

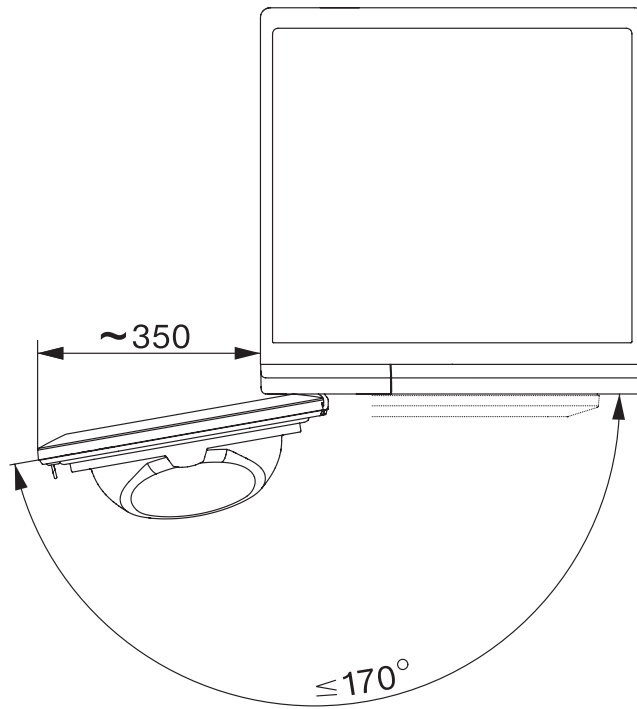


1-8 kg

FragranceDos

EcoDry

TEA325WP 8kg Active Installation diagrams



T1 drawing, slanted fascia or straight fascia, measures in mm