

## Operating instructions Heat pump tumble dryer



It is **essential** to read these operating instructions before installing and using the appliance. This prevents both personal injury and damage to the appliance.

# Contents

---

<b>Warnings and safety instructions</b> .....	<b>5</b>
<b>Sustainability and environmental protection</b> .....	<b>17</b>
Disposal of fluff or accessories .....	17
Optimising the use of energy and time .....	18
Reusing condensed water .....	19
Energy-saving heat pump technology .....	19
<b>Familiarising yourself with the appliance</b> .....	<b>20</b>
Your tumble dryer .....	20
Control panel .....	21
Main menu in the display .....	21
Symbols in the display .....	22
Operating principles .....	22
Network connection .....	23
Proximity sensor/MotionReact .....	23
ComfortOpen .....	24
Drum lighting .....	24
AmbientLight .....	24
PowerDry .....	24
WoolDry .....	24
PerfectDry .....	24
SteamCare .....	25
Wash2Dry .....	25
FragranceDos .....	25
Condensate container .....	25
<b>Commissioning</b> .....	<b>26</b>
Requirements for networking .....	26
Commissioning procedure .....	26
<b>Operation</b> .....	<b>27</b>
Operating sequence .....	27
On the tumble dryer .....	27
Via the App .....	27
Preparing the laundry .....	28
Switching on the tumble dryer .....	28
Loading the laundry .....	28
Selecting a programme .....	29
Setting programme parameters .....	29
Starting a programme .....	30
End of the programme .....	30

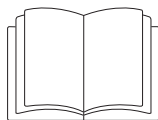
Special points for operation via App.....	31
Loading the laundry .....	31
Activating operation via App .....	31
Selecting and starting a programme via the App.....	31
Delay start .....	31
Programme modifications after starting the programme .....	32
Moving a programme.....	32
♥ Favourite programmes.....	33
Using the condensate container .....	34
Using the FragranceDos fragrance system .....	36
<b>Programmes .....</b>	<b>40</b>
Programme chart.....	40
Extras.....	48
Consumption data.....	49
<b>Good to know.....</b>	<b>50</b>
Tips .....	50
Protecting tumble dryers.....	51
Protecting your laundry .....	51
Care symbols on the care label .....	51
<b>Adjusting settings .....</b>	<b>53</b>
Settings overview.....	53
⚙ Settings: overview .....	53
General.....	54
Software update .....	54
Security.....	54
System lock .....	54
Proximity sensor .....	54
Factory default settings.....	54
Networking.....	54
Wi-Fi .....	54
Connection .....	54
Remote control .....	55
Appliance functions .....	55
Memory.....	55
ComfortOpen .....	55
Anti-crease .....	55
Drying levels .....	55
Airways indicator .....	55
Cooling down temp. ....	56

# Contents

---

Information .....	56
Legal information .....	56
Consumption .....	56
Operating hours .....	56
Service .....	56
<b>Cleaning and care .....</b>	<b>57</b>
Cleaning the casing, drum and control panel .....	57
Cleaning the fluff filters .....	57
Cleaning the residual moisture sensor .....	59
Cleaning the plinth filter .....	60
Cleaning the rubber seal on the condensate container .....	64
<b>Problem solving guide .....</b>	<b>65</b>
Fault messages shown in the display when a programme is cancelled .....	65
Information in the display .....	67
The drying programme takes a long time .....	68
Insufficient drying results .....	68
Noises and odours .....	69
Other problems .....	70
Signs of wear on the plinth filter .....	73
Reactivating the plinth filter .....	75
Cleaning the drain for condensed water .....	75
Checking the heat exchanger .....	75
Cleaning the fluff filters with water .....	76
Cleaning the fluff filter in the condensate container .....	77
Replacing the nozzle for SteamCare .....	78
<b>Service .....</b>	<b>80</b>
Contact in case of fault .....	80
Warranty .....	80
Optional accessories .....	80
<b>Installation .....</b>	<b>81</b>
Rear view .....	81
Transporting the tumble dryer .....	81
Levelling the tumble dryer .....	82
Additional installation requirements .....	82
External condensed water connection .....	85
Electrical connection .....	89
Technical data .....	90

## Warnings and safety instructions



It is essential to read these instructions.



This tumble dryer contains a refrigerant that is flammable and explosive.

This tumble dryer complies with all current local and national safety requirements. However, inappropriate use can lead to personal injury and damage to property.

Read the operating instructions carefully before using the tumble dryer. They contain important information on safety, installation, use and maintenance of the appliance. This prevents both personal injury and damage to the tumble dryer.

In accordance with standard IEC 60335-1, Miele expressly and strongly advises that you read and follow the instructions in “Installation”, as well as in the “Warning and Safety instructions”.

Miele cannot be held liable for injury or damage caused by non-compliance with these instructions.

Keep these operating instructions in a safe place and pass them on to any future owner.

# Warnings and safety instructions

---

## Correct application

▶ This tumble dryer is designed for domestic use and for use in similar environments by guests in hotel or motel rooms, bed & breakfasts and other typical living quarters. This does not include common/shared facilities or commercial facilities within hotels, motels or bed & breakfasts.

▶ This tumble dryer is not suitable for outdoor use.

▶ It must only be used to dry items which have been washed in a water solution and which are marked on the manufacturer's care label as being suitable for tumble drying. If using dry cleaning kits, do so at your own risk, and follow the instructions provided on the packaging.

Any other applications may be dangerous. Miele cannot be held liable for damage resulting from incorrect or improper use or operation.

▶ This appliance is not intended for use by persons (including children) with reduced physical, sensory or mental capabilities, or lack of experience or knowledge, unless they are supervised whilst using it or have been shown how to use it by a person responsible for their safety.

## Safety with children

▶ Young children must not be allowed to use this appliance.

▶ Older children may only use the appliance when its operation has been clearly explained to them and they are able to use it safely, recognising the dangers of misuse.

▶ Children must not be allowed to clean or maintain the tumble dryer unsupervised.

▶ Please supervise children in the vicinity of the tumble dryer and do not let them play with it.

### Technical safety

▶ Before setting up the tumble dryer, check it for any externally visible damage.

Do not install or use a damaged tumble dryer.

▶ Before connecting the tumble dryer, ensure that the connection data on the data plate (fuse rating, voltage and frequency) matches the mains electricity supply. If in any doubt, consult a qualified electrician.

▶ Temporary or permanent operation with a self-sufficient or non-mains synchronous energy supply system (e.g. isolated networks, back-up systems) is possible. A requirement for the operation is that the energy supply system complies with all current local and national requirements that apply to stand-alone, solar and/or battery systems. The protective measures provided in the installation and in this Miele product must also be assured in their function and operation in isolated operation or in non-mains synchronous operation, or replaced with equivalent measures in the installation.

▶ The electrical safety of this tumble dryer can only be guaranteed when correctly earthed. It is essential that this standard safety requirement is met. If in any doubt, please have the household wiring system tested by a qualified electrician. Miele cannot be held liable for the consequences of an inadequate earthing system (e.g. electric shock).

▶ Do not connect the tumble dryer to the mains electricity supply by an extension lead. Extension leads do not guarantee the required safety of the appliance (e.g. danger of overheating).

▶ If the connection cable is faulty, it must only be replaced by a Miele authorised technician to protect the user from danger.

## Warnings and safety instructions

---

- ▶ Unauthorised repairs could result in unforeseen dangers for the user, for which Miele cannot accept liability. Repairs should only be undertaken by a Miele authorised service technician, otherwise any subsequent damage will not be covered by the warranty.
- ▶ Faulty components must only be replaced by genuine Miele spare parts. Miele can only guarantee the safety of the appliance when Miele replacement parts are used.
- ▶ In the event of a fault or for cleaning purposes, the tumble dryer is only completely isolated from the electricity supply when:
  - it is switched off at the wall socket and the plug is withdrawn, or
  - it is switched off at the mains circuit breaker.
- ▶ This tumble dryer must not be installed and operated in mobile installations (e.g. on a ship).
- ▶ Do not make any alterations to the tumble dryer, unless authorised to do so by Miele.

## Warnings and safety instructions

---

► This tumble dryer is supplied with a special lamp to cope with particular conditions (e.g. temperature, moisture, chemical resistance, abrasion resistance and vibration). This special lamp must only be used for the purpose for which it is intended. It is not suitable for room lighting. Replacement lamps may only be replaced by a Miele authorised technician.

► This tumble dryer uses a gaseous refrigerant which is condensed by the compressor. Having been increased to a high temperature level by compression, the refrigerant passes through a closed refrigerant circuit. The heat generated is transferred to the drying air as it passes through the heat exchanger.

- The humming noises caused by the heat pump during the drying process are normal. They do not impair the correct functioning of the dryer.
- The refrigerant is environmentally friendly and does not damage the ozone layer.

 Damage to the tumble dryer by switching it on too soon.

This can damage the heat pump.

After setting up the tumble dryer, wait for at least one hour before starting a drying programme.

## Warnings and safety instructions

---



▶ The R290 refrigerant contained in this tumble dryer is flammable and explosive. If the tumble dryer is damaged, proceed as follows:

- Avoid naked flames or anything which creates a spark.
- Disconnect the dryer from the electricity supply.
- Air the room where the tumble dryer is located.
- Contact Miele Customer Service.

 Risk of fire and explosion due to damage to the tumble dryer.

The refrigerant is flammable and explosive if it leaks.

Take measures to protect the tumble dryer against damage. Do not make any alterations to the tumble dryer.

▶ Follow the instructions in “Installation” and “Technical data”.

▶ The plug and socket must be accessible at all times in order to be able to disconnect the tumble dryer from the power supply.

▶ Do not block the gap between the bottom of the tumble dryer and the floor with plinth facings, deep pile carpet etc. This would hinder a sufficient flow of air to the tumble dryer.

▶ Make sure the dryer door can be opened without hindrance after installation.

▶ In areas which may be subject to infestation by cockroaches or other vermin, pay particular attention to keeping the appliance and its surroundings in a clean condition at all times. Any damage which may be caused by cockroaches or other vermin will not be covered by the warranty.

### Correct use



**WARNING:  
FLAMMABLE MATERIAL**

⚠ Warning: Risk of fire / Flammable materials.

To avoid the possible danger of fire, please read these warnings carefully.

⚠ A clogged filter is a fire hazard!

The fluff filter must be cleaned after every programme.

- ▶ The maximum load for this tumble dryer is 9.0 kg (dry weight). See the “Programme chart” for the maximum recommended loads for individual programmes.
- ▶ To prevent the risk of fire, do not connect the tumble dryer via a controllable socket (e.g. a timer or a peak-load switch-off device). If the drying programme is interrupted before the end of the cooling down phase, this could cause the laundry to self-ignite.
- ▶ **Warning:** Ensure that you always wait until the end of the programme before removing the laundry. If the drying programme is stopped prematurely, remove the laundry immediately and hang it up or spread it out to cool it down.
- ▶ Fabric softener and similar products must be used according to the instructions on the manufacturer's packaging.
- ▶ Remove all items from pockets (e.g. lighters, matches).
- ▶ The fluff filters must be cleaned after every drying cycle. Fluff must not be allowed to accumulate around the tumble dryer.
- ▶ The fluff filters and the plinth filter must be thoroughly dried after cleaning. Do not replace them if they are damp or wet. Damp or wet filters could cause operational faults.

## Warnings and safety instructions

---

▶ Oil-affected items can ignite spontaneously, especially when exposed to heat sources such as in a tumble dryer.

The items become warm, causing an oxidation reaction in the oil. Oxidation creates heat.

If the heat cannot escape, the items can become hot enough to catch fire. Piling, stacking or storing oil-affected items can prevent heat from escaping and so create a fire hazard.

If it is unavoidable that fabrics contaminated with vegetable or cooking oil, or hair care products, are placed in a tumble dryer, they should first be washed in hot water with extra detergent - this will reduce, but not eliminate, the hazard.

▶ To prevent the risk of fire, textiles that have not been cleaned thoroughly or are still soiled with deposits of any kind must not be dried in this tumble dryer. This applies in particular to

- Items which have not been washed.
- Items, such as workwear, which have not been thoroughly cleaned and are still soiled with grease, oil or other deposits (such as cooking oils, cosmetics, lotions, etc.). If items have not been thoroughly cleaned, there is a danger that they might ignite when heated, even after they have been removed from the tumble dryer at the end of the programme.
- Items that have been soiled with substances such as cooking oil, acetone, petrol, kerosene, spot removers, turpentine, waxes, wax removers and other chemicals (e.g. mops and floor cloths).
- Items which have been splashed with hair lacquer, hair spray, nail varnish remover or similar substances.

When washing such heavily soiled items:

Ensure that you use a larger quantity of detergent and select a high temperature. If in doubt, wash the items several times.

## Warnings and safety instructions

---

▶ To prevent the risk of fire, the following textiles must never be dried in the tumble dryer:

- Textiles that have been cleaned using chemicals (e.g. professional dry-cleaning agents).
- Textiles which contain a large proportion of rubber, foam rubber or rubber-like materials. For example, products made from latex foam rubber, shower caps, waterproof textiles, rubberised articles and items of clothing and pillows with foam rubber filling.
- Textiles which contain padding or fillings which are damaged (e.g. pillows, jackets). The filling could fall out and cause a fire.

▶ The heat pump that is essential to the operation of this tumble dryer generates a lot of heat inside its casing. It must be possible to dissipate this heat well. Otherwise loads could take longer to dry or the tumble dryer might sustain damage in the long term.

The following mandatory requirements must be met:

- permanent room ventilation from the beginning to the end of every drying programme.
- a gap between the floor and the bottom of the tumble dryer (this must not be blocked or obstructed in any way).

▶ The tumble dryer must not be hosed down.

▶ Do not let anyone sit or lean on the door, as this can cause the tumble dryer to tip up.

▶ In many programmes, the heating phase is followed by a cooling down phase to ensure that the items are not too hot to handle when you remove them (this also avoids the danger of the laundry self-igniting). The programme is not finished until the cooling down phase has been completed.

As soon as the programme has finished, remove all laundry from the drum.

▶ Always close the door after use. This way you will avoid the danger of:

- children climbing onto or into the dryer or hiding things in it.
- pets or other small animals climbing into it.

▶ The tumble dryer must not be used

- without the fluff filters in place or with damaged fluff filters.
- without the plinth filter in place or with a damaged plinth filter.

## Warnings and safety instructions

---

This would cause an excessive build-up of fluff which in turn would cause a fault.

▶ Do not install the tumble dryer in a room where there is a risk of frost. At temperatures around freezing point, the tumble dryer may not be able to operate properly. There is a risk of damage if the condensed water is allowed to freeze in the pump and drain hose. The permitted room temperature is between 2 °C and 35 °C.

▶ If the water is drained externally through the drain hose instead of being collected in the condensed water container, make sure the drain hose is securely attached if you hang it in a laundry tub to avoid the hose slipping and the water causing damage.

▶ Condensed water is not drinking water. It can cause health problems in both people and animals.

▶ Always keep the area around the tumble dryer free of dust and fluff.

Dust drawn into the tumble dryer can cause blockages in the heat exchanger over time.

### Using a fragrance flacon (optional accessory)


- ▶ Only use genuine Miele original fragrance flacons.
- ▶ The fragrance flacon must be stored in its packaging so please make sure you retain this.
- ▶ Caution. The fragrance can run out of the flacon. Make sure that you always keep the flacon, or the fluff filter with the flacon inserted in it, upright when carrying and do not tip it or place it down on any surface.
- ▶ Use an absorbent cloth immediately to wipe up any fragrance which has run out of the flacon onto the floor, the dryer or any dryer components (e.g. the fluff filter).
- ▶ If fragrance which has run out of a flacon should come in contact with the **skin** - wash the skin thoroughly with soap and water; come in contact with the **eyes** - rinse the eyes with clean water for at least 15 minutes; be swallowed - rinse out the **mouth** thoroughly with clean water. Seek medical advice in the case of contact with the eyes or if fragrance has been swallowed.
- ▶ If fragrance which has run out of a flacon comes in contact with clothing, change the clothing immediately. Wash the clothing or any cloths used for mopping up fragrance thoroughly with plenty of water and detergent.
- ▶ There is the risk of fire or damage to the tumble dryer if the following instructions are not observed:
  - Never refill a flacon with fragrance.
  - Never use a faulty fragrance flacon.
- ▶ Dispose of an empty fragrance flacon with the household waste and never use it for any other purpose.
- ▶ Please also observe the information supplied with the fragrance flacon.

# Warnings and safety instructions

---

## Accessories

- ▶ Only use genuine Miele spare parts and accessories with this appliance. If spare parts or accessories from other manufacturers are used, this will invalidate the warranty, and Miele cannot accept liability.
- ▶ A Miele tumble dryer can be stacked on top of a Miele washing machine using the appropriate stacking kit (available as an optional accessory). Please make sure you order the correct one for the Miele washing machine and Miele tumble dryer.

 Miele cannot be held liable for damage caused by non-compliance with these Warning and Safety instructions.

## Disposal of the packing material

The transport and protective packaging has been selected from materials which are environmentally friendly for disposal, and can normally be recycled.

Recycling the packaging reduces the use of raw materials in the manufacturing process and also reduces the amount of waste in landfill sites.

Ensure that any plastic wrappings, bags etc. are disposed of safely and kept out of the reach of babies and young children. Danger of suffocation.

**Only for Australia:** Note for installer: Expanded polystyrene (EPS) packaging included. Please retain and dispose of EPS packaging responsibly. For further information, please contact Miele.

## Disposing of your old appliance

Electronic and electrical appliances contain many valuable materials. They also contain certain materials, compounds and components which were essential for their correct functioning and safety. These could be hazardous to your health and to the environment if disposed of with general waste or if handled incorrectly. Please do not, therefore, dispose of your old appliance with your household waste.



Take care not to damage the tumble dryer's pipework and heat exchanger before or during transportation to an authorised collection depot.

This is to ensure that refrigerant in the tumble dryer and oil in the compressor are contained, and will not leak into the environment.

Please dispose of it at your local community waste collection/recycling centre for electrical and electronic appliances, or contact Miele. You are also responsible for deleting any personal data that may be stored on the appliance being disposed of. Please ensure that your old appliance presents no danger to children while being stored awaiting disposal.

## Disposal of fluff or accessories

Abrasion causes environmentally harmful microplastic particles to be released from garments containing synthetic fibres, which remain on the laundry after washing. For this reason, dispose of the fluff collected by the fluff filters with your household waste.

Dispose of unusable accessories, e.g. empty fragrance flacons or a defective plinth filter, with your household waste.

# Sustainability and environmental protection

---

## Optimising the use of energy and time

Spin the laundry thoroughly in the washing machine. This reduces the electricity consumption and the programme running time during drying because it takes less time to dry the laundry. To spin the laundry more thoroughly, select a maximum spin speed when washing.

Always dry using the maximum specified load size for the programme whenever possible. A full drum helps to save energy because you don't have to start another drying programme. This will mean that the energy consumption for the amount of laundry is at its most economical.

If possible, always tumble dry garments of the same type or, in the case of different types, garments of the same material thickness. You should untangle tangled items after washing so that everything dries evenly. This saves you having to run a second drying programme for items that are still damp.

Clean the fluff filters after each drying programme and clean the plinth filter when prompted to do so by the tumble dryer. This reduces the programme running time and electricity consumption.

If possible, make use of time-variable, low-cost electricity tariffs. Ask your energy supplier for information. If you have a suitable energy management system in your home, you can make flexible use of time-variable, cost-efficient and environmentally friendly electricity tariffs. Thanks to this combination, the tumble dryer can be started automatically at a cost-efficient time.

If you use self-generated solar power, start the tumble dryer when the electricity is available.

# Sustainability and environmental protection

---

## Reusing condensed water

Condensed water from the drying process is collected in the condensate container and reused for SteamCare.

Condensed water can be used for ironing. To remove any fluff, filter the condensed water through a coffee filter. If you want to reuse condensed water in a steam iron or humidifier, follow the manufacturer's instructions.

## Energy-saving heat pump technology

A compressor is used to compress refrigerant and raise the temperature in a closed cooling circuit in an energy-efficient manner.

The heat transfer takes place in the heat exchanger, through which the drying air flows in a circuit.

In the front section of the heat exchanger, the recirculated residual heat is recovered from the filtered drying air in the same circuit. The resulting condensation effect continues to dehumidify the drying air. This reduces the moisture in the laundry and the desired drying effect is achieved.

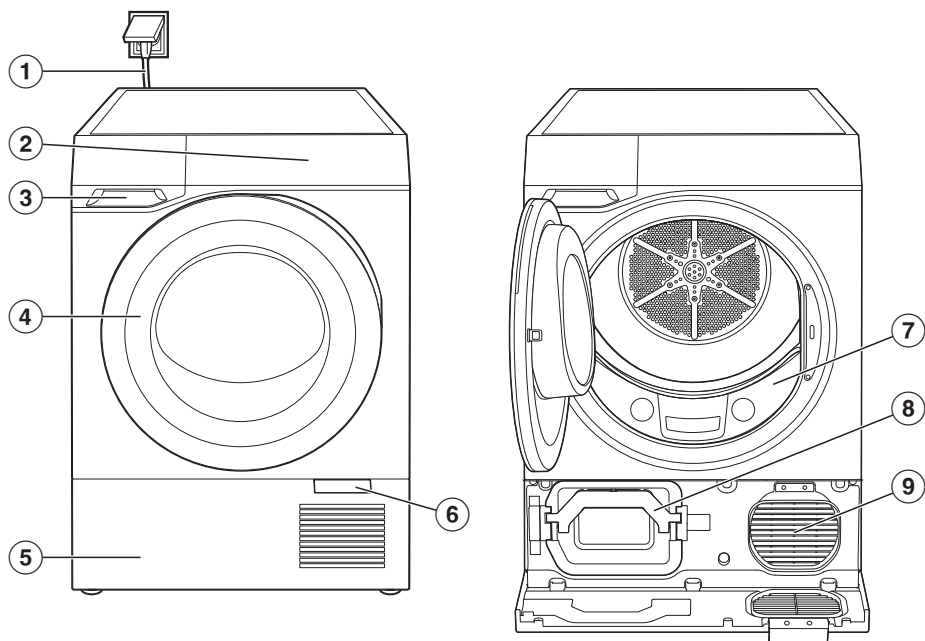
## Refrigerant

The refrigerant R290 (propane) is responsible for the heat transfer which dries the laundry. Propane has a low global warming potential (GWP), is climate-neutral, environmentally friendly and does not damage the ozone layer.

# Familiarising yourself with the appliance

---

## Your tumble dryer

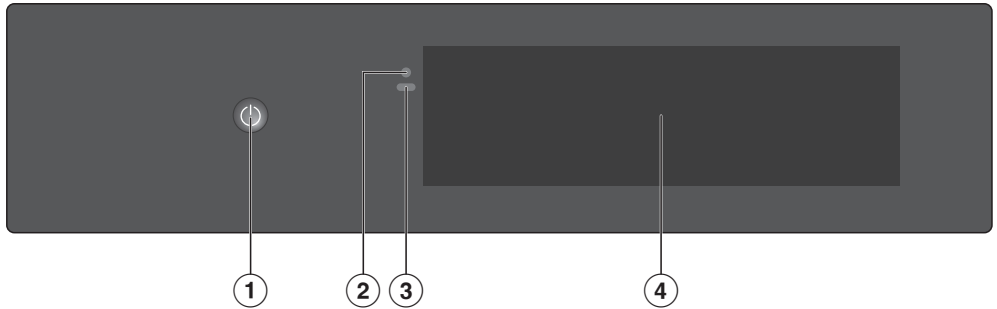



- ① Power supply cord
- ② Control panel
- ③ Condensate container
- ④ Tumble dryer door
- ⑤ Plinth flap

- ⑥ Opening tab
- ⑦ Fluff filter
- ⑧ Holder with plinth filter
- ⑨ Cooling fan

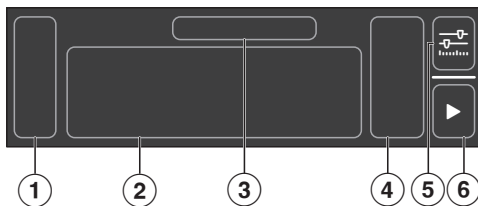
# Familiarising yourself with the appliance

## Control panel



- ① On/Off  sensor
- ② Optical interface  
(for Customer Service)
- ③ Proximity sensor (MotionReact)
- ④ Display

## Main menu in the display





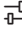


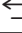

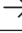



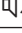
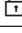

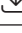
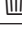
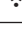




- ① Sidebar
- ② Programmes
- ③ Name of the highlighted programme
- ④ Parameters for the programme
- ⑤ Further parameters
- ⑥ Start

# Familiarising yourself with the appliance

## Symbols in the display

Various symbols are used in the display.

	Menu
	Programmes
	Favourite programmes
	Remote control Networking
	Further parameters
	Information
	Close window
	Back
	Settings
	Next step
	Start
	Stop
	Pause
	Sounds
	System lock
	Maintenance
	Download
	Delete
	Wi-Fi
	Search
	Note

## Operating principles

### Switching the tumble dryer on or off

The  *On/Off* sensor is recessed.

- Press the  *On/Off* sensor until the tumble dryer switches on or off.

**Useful tip:** With MotionReact, the tumble dryer is automatically switched on when you approach it.

### Navigating the display



The display can be scratched by pointed or sharp objects, e.g. pens. Only touch the display with your fingertips.

- Swipe your finger in the required direction in the display.
- To select a menu option, press the required menu option or symbol.

The menu option is highlighted.

### Exiting a menu level

You are in a menu.

- Depending on the menu, select  *Close window* or  *Back*.

The higher-level menu is displayed.

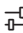
# Familiarising yourself with the appliance

---

## Selecting a programme

You are in the main menu.

- Swipe your finger across the display until the required programme is highlighted.
- If you want to start the programme with the parameters displayed, select ► *Start*.


**Useful tip:** If you want to change the parameters, select the icon of the programme or  *Further parameters*.

## Adjusting parameters

You can switch parameters on or off (e.g. Extras) or adjust them on a scale (e.g. the Duration).


### Switching parameters on or off

Activated parameters are highlighted in colour.

- Select the parameter you want to switch on or off.
- Confirm with  *OK*.

The parameter is saved.



### Changing parameters on a scale

- Select the parameter you want to change.
- Move the scale to the left or right until the required value is highlighted.
- Confirm with  *OK* or wait for the change to be applied automatically.

The value is saved.

## Displaying the context menu

When you are in certain menus, a context menu can be displayed. This allows you to rename or move Favourites, for example.

- To open the context menu, press and hold a Favourite or select  *Context menu*.
- Make the required change.
- To close the context menu, select  *Close window*.

## Network connection

The tumble dryer is equipped with an integrated Wi-Fi module. The Wi-Fi module makes it possible to connect to your home network and to use the Miele App on a mobile device.

Networking the tumble dryer allows you to do the following, among other things:

- receive information on the programme sequence and operating status
- operate the tumble dryer remotely
- download additional programmes
- keep the tumble dryer up to date with the latest Miele developments via software updates

Connecting your tumble dryer to your Wi-Fi network will increase energy consumption, even when the tumble dryer is switched off.


## Proximity sensor/MotionReact

The tumble dryer has a proximity sensor. The proximity sensor reacts to movement and detects when you approach the tumble dryer.

## Familiarising yourself with the appliance

---

Depending on the operating status of the tumble dryer, you can trigger various actions using the proximity sensor, including switching on the tumble dryer or switching off the buzzers.

Under  **Settings** ▶ **General** ▶ **Proximity sensor**, you can adjust the settings for the proximity sensor to suit your personal requirements.

### ComfortOpen

A motorised door opener opens the door when a hand approaches the door handle sensor.

The door opens a little automatically at the end of the programme.

### Drum lighting

The drum lighting illuminates the drum and the area in front of the tumble dryer. The drum lighting comes on automatically when the door is opened. The drum lighting will go out again automatically after 5 minutes.

### AmbientLight

The tumble dryer has lighting for the door handle and for FragranceDos.

### Door lighting

The door lighting indicates whether the door can be opened.

### FragranceDos lighting

The FragranceDos lighting clearly indicates the fill level of the fragrance flacons.

Adjusting the fragrance intensity changes the intensity of the lighting.

Bright light = stronger fragrance intensity

Darker light = weaker fragrance intensity

### PowerDry

With the help of an additional heater, which is automatically switched on if necessary, the ideal drying temperature is reached even faster during the heating-up phase. The energy consumption is slightly higher. Once the drying temperature has been reached, the additional heater switches off again.

### WoolDry

In the Woollens programme, you can dry woollen items that have been washed in the Hand wash woollens programme.

### PerfectDry

PerfectDry ensures a precise drying process, taking into account the calcium content of the water used to wash the laundry. The active PerfectDry function adjusts the drying process to the residual moisture of the laundry and the water quality, making the programme running time more and more accurate. PerfectDry is not active in programmes with a selectable duration.

# Familiarising yourself with the appliance

## SteamCare

Clean, damp or dry laundry is smoothed and freshened up using *SteamCare*. Condensed water from the condensate container is sprayed into the drum. This can be heard in the form of humming noises emanating from the pump. The drying heat evaporates the condensed water, which creates the *SteamCare* effect.

**Useful tip:** The condensate container must be filled.

## Wash2Dry

To use the *Wash2Dry* function, you must own a Miele W2 washing machine and network your washing machine and tumble dryer with the Miele App and Miele services.

The washing machine transfers the programme data to the Miele Cloud at the end of the programme.

Based on the programme data transferred from the washing machine, the tumble dryer automatically sets a specially adapted drying programme (which can still be changed).

All you have to do is load the laundry and start the programme.

The tumble dryer does not offer a corresponding drying programme for wash programmes for very delicate items (e.g. curtains).

**Useful tip:** The tumble dryer should not be disconnected from the mains. Otherwise the programme data transferred by the washing machine will not be received by the tumble dryer when the *Wash2Dry* function is selected.

Disconnecting the dryer from the mains delays the reception of programme data.

## FragranceDos

The FragranceDos fragrance system offers you the opportunity to add a special fragrance and to freshen up your laundry with fragrance flacons.

**Useful tip:** Both positions can be used for a more intense scent of the same fragrance. Or conveniently switch between fragrances of your choice or DryFresh to freshen up your laundry. You can close the fragrance flacon that you are not using.

## Condensate container


The condensed water resulting from the condensation effect is pumped through the drain hose into the condensate container.

The condensate container must be emptied regularly, otherwise the drying programme will stop.

**Useful tip:** You do not need to empty the condensate container if you drain the condensed water externally via the drain hose. This is recommended when drying more than 8 kg.


# Commissioning

---

 Risk of injury or damage to property due to improper set-up and installation.

Improper procedures can lead to personal injury or damage to property.

Before commissioning the tumble dryer for the first time, make sure it has been set up properly. Perform the installation correctly. Please follow the instructions in “Installation”.

 Damage caused by operating the dryer too soon after installation or reinstallation, e.g. after moving.

The heat pump may be damaged.

You can switch on and network the tumble dryer. However, to avoid possible damage, only start a drying programme after one hour has elapsed.


## Requirements for networking

Note the following requirements for networking:

1. A Wi-Fi network is available at the installation site.  
Have the Wi-Fi password ready.
2. The Miele App is available on a mobile device.
3. You have a user account in the Miele App.

You can also carry out networking at a later date. Skip the “Networking” menu option during commissioning.

## Commissioning procedure

- Approach the tumble dryer or touch the  *On/Off* sensor.

The display shows the first step for commissioning.

- Follow the steps in the display.

Commissioning is not complete until the commissioning programme has been completed. If the process is cancelled beforehand, the entire commissioning process must be repeated.

## Operating sequence

We recommend the operating sequence listed below which is customised to your tumble dryer. This will allow you to make the best possible use of all special features.

You will find valuable and useful information and tips on the individual operational steps in the rest of the “Operation” section.

### On the tumble dryer

Basic operating option

1. Prepare the laundry
2. Switch on the tumble dryer
3. Load the laundry
4. Select a programme
5. Set programme parameters
6. Start with ► *Start*
7. End of the programme


Wash2Dry operating option

1. Prepare the laundry
2. Switch on the tumble dryer
3. Load the laundry
4. Select Wash2Dry
5. Start with ► *Start*
6. End of the programme

Further operating options:

- Delay start
- AddLoad (add laundry)

### Via the App

1. Prepare the laundry
2. Switch on the tumble dryer
3. Load the laundry
4. Close the door
5. Select  *Remote control*
6. Start with ► *Start*
7. Select a programme via the App
8. Start the programme via the App
9. End of the programme

# Operation

## Preparing the laundry

Prepare the laundry as described in “Good to know”.

Damage due to objects which were not removed from the laundry. Laundry or the tumble dryer may be damaged.

Remove foreign objects and all objects such as detergent dispensing aids or loose underwires from bras.

## Switching on the tumble dryer

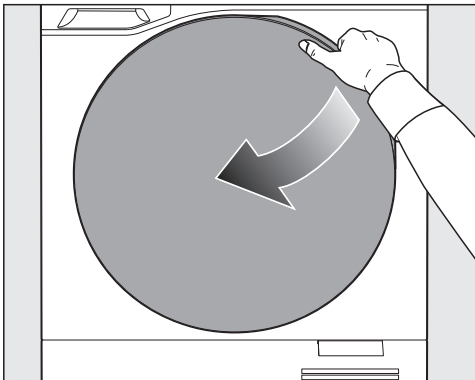
When the proximity sensor is activated, the tumble dryer switches on automatically.

- Touch  *On/Off*.

## Loading the laundry

### Opening the door

The door handle sensor registers when a hand touches the door and opens the door a little.

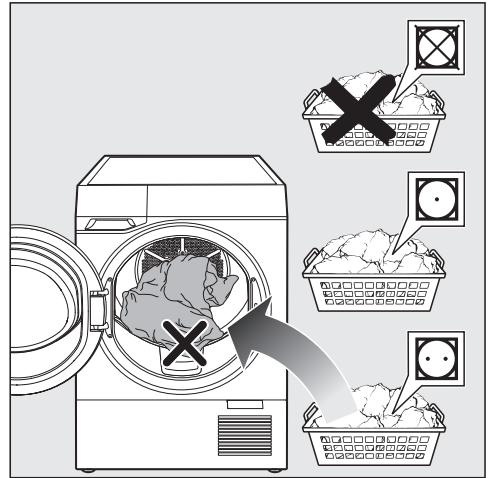


- Open the door fully.

### Loading the laundry in the drum

To prevent damage, check that the drum is empty.

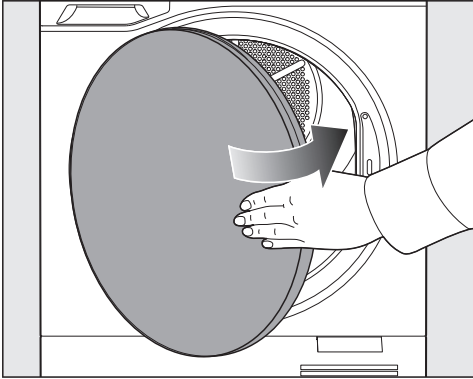
- Remove any remaining items and objects that have been left inside the drum.



- Untangle the laundry.
- Fill the drum.

**Useful tip:** Note the maximum load size of the programmes shown in the display.

## Closing the door



- Shut the door with a gentle swing.

Make sure that no items are caught in the opening.

## Selecting a programme

**Useful tip:** To view programme information, select ⓘ *Information*.

- Swipe your finger across the display until the required programme is highlighted.

## Setting programme parameters

- Depending on the programme, select either a Drying level or a Duration.

**Useful tip:** You can also select further parameters using ↕. The parameters are then expanded.

- Select the desired Extras.

**Useful tip:** You can accept the selection and return to the programme selection using ✓.

## Selecting the drying level

For most programmes, such as *Cottons* or *Minimum iron*, you can select a Drying level.

The selectable *Drying levels* are indicated by symbols, such as ☐ (Cupboard dry) or ☐ (Hand iron).

## Selecting the duration

For some programmes, such as *Warm air* or *Basket programme*, you can select a *Duration*.

- Select *Duration*.
- Move the scale until the required duration is highlighted.

## Selecting Extras

- Touch *Extras*.

The selectable *Extras* are indicated by symbols, such as ☉ (*Gentle tumble*) or 40 (*DryCare 40*).

- Activate the Extra you want.

The list only shows the Extras that can be activated for the selected programme.

Extras cannot be combined. To select a different Extra, deactivate the Extra that was selected first.

**Useful tip:** Note that some Extras require a smaller load size.

# Operation

## Starting a programme

- Select ► *Start*.

The programme starts and the time left is displayed in hours and minutes.

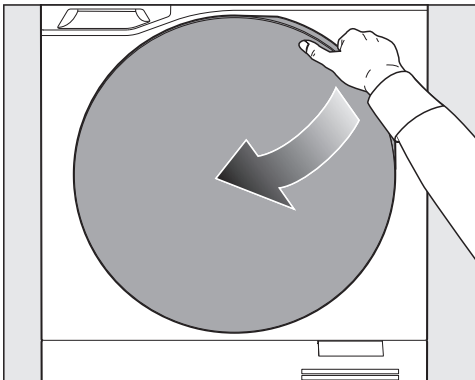
The programme running time can vary depending on various factors such as residual moisture, load size and the mix of fabrics. This means that the time left may vary even if the same programme has been selected.

PerfectDry detects whether there are only a few items or items that are already dry in the drum (drum empty detection feature). The tumble dryer shortens the programme running time to gently dry the laundry completely.

## End of the programme

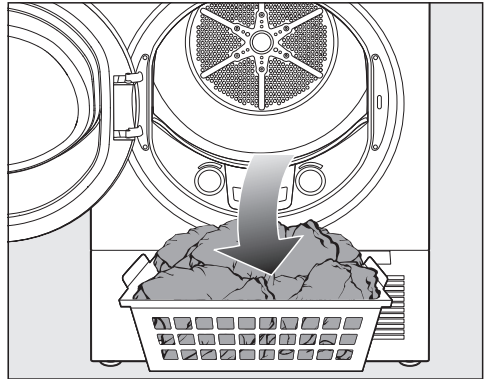
### Opening the door

If ComfortOpen is switched on, the door opens a little at the end of the programme (but not during the Anti-crease phase).



- Pull open the door.

## Removing the laundry



- Remove the laundry.

### Damage to items.

Items that have not been removed can be overdried and damaged in the dryer.

Always remove all items from the drum once drying has finished.

## What to do after removing laundry

- Clean the fluff filters in the door opening.
- Close the door.
- Empty the condensate container.

## Special points for operation via App

### Loading the laundry

- Open the door.
- Load the laundry.
- Close the door.

### Activating operation via App

- Select  Remote control.




### Selecting and starting a programme via the App

- Select the programme you want.
- Select the programme parameters you want.
- Start the programme.

## Delay start


### Setting Delay start


You can use Delay start to either delay the start of a programme or to set when you want a programme to end. The Delay start function is possible within a 24-hour period.

- Select the  *Further programmes* symbol.
- Select *Start*.
- Set the time you want (*Start* or *Finish*).
- Select  *Start*.
- To return to the programme selection, select  *Confirm*.

### Changing Delay start

You can change the selected Delay start.

- Select the  *Further parameters* symbol.

- Change the Delay start and select  *Confirm*.

### Deleting Delay start

A Delay start that has been started can be deleted.

- Select  *Stop*.

You can choose between:

- starting the programme immediately: *Start immediately*
- cancelling the programme: *Cancel*

# Operation

---

## Programme modifications after starting the programme

### Changing programmes

To protect against unintentional changes, it is not possible to change the programme after the programme has started.

### Adding laundry (AddLoad)

Laundry can be added or removed at any time.

- Touch the display.
- Touch the *Add laundry* sensor control.

The door will open a little.

- Open the tumble dryer door.
- Add or remove laundry.
- Close the tumble dryer door.
- Press ► *Start*.

The programme will continue.

### Cancelling a programme

- Touch the display.
- Touch ■ *Stop*.
- Confirm your selection.

The programme is cancelled and the door opens a little if ComfortOpen is switched on.

### Moving a programme

You are in the main menu.  
You can change the order of the programmes in the main menu from the *Minimum iron* programme onwards. You cannot change the order of the first programmes.

- Touch and hold the highlighted programme until ≡ *Move* is displayed.
- Select ≡ *Move*.

- Drag the programme to the required place.
- Confirm with ✓.

The change will be saved.

## ♡ Favourite programmes

You can save up to 12 programmes as Favourites. You can change the programme name and certain parameters for your Favourite programmes.

### Saving Favourites

You are in the main menu.

- Select a programme.
- Select the parameters you want.
- Select ♡ *Favourite programmes*.

A keyboard is displayed.

- Enter the name for the Favourite.
- Select ✓ *Confirm*.

The programme has been saved as a ♡ Favourite. The programme can be started immediately via ▶ *Start*.

**Useful tip:** To save a programme directly as a Favourite, you can also select ♡ *Favourite programmes* at the end of the programme.

### Moving Favourites

You are in the ♡ *Favourite programmes* menu.

You have saved a programme as a Favourite and want to sort the list.

- Touch and hold the Favourite you want to move.

A context menu is displayed.

- Select ≡ *Move*.
- Move the *Favourite* to the required position.
- Confirm with ✓ *OK*.

The change has been saved.

## Editing Favourites

You are in the ♡ *Favourite programmes* menu.

You have saved a programme as a Favourite and want to edit the parameters.

- Move your finger in the display until the required Favourite lights up.
- Touch the ⇄ *Further parameters* symbol.

The parameters are displayed.

- Change the parameters you want.

The changes are saved.

## Removing Favourites

You are in the ♡ *Favourite programmes* menu.

You have saved a programme as a Favourite and want to remove it from the list.


- Select the Favourite you want to remove.
- Select ♥ *Favourite programmes*.

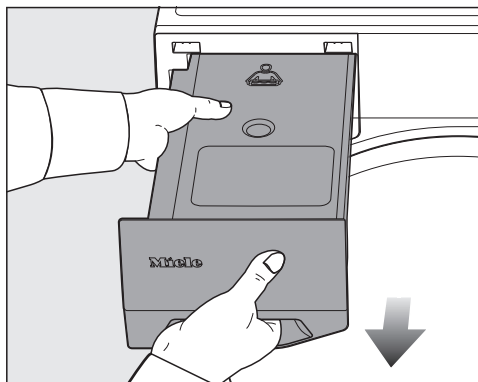
The Favourite has been removed from the list.

# Operation

## Using the condensate container

### Pulling out the condensate container

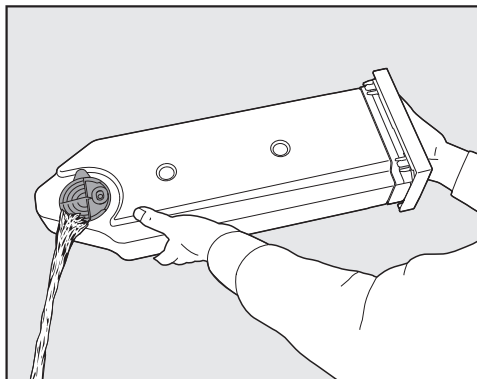
 Damage to the dryer door and the condensate container. Damage and scratches may occur. First close the dryer door and then pull out the condensate container.



- To pull out the condensate container, keep a firm hold on the fascia panel and in the centre.
- To prevent condensed water from leaking, carry the condensate container horizontally.

## Emptying the condensate container

Interval: empty the condensate container after drying.

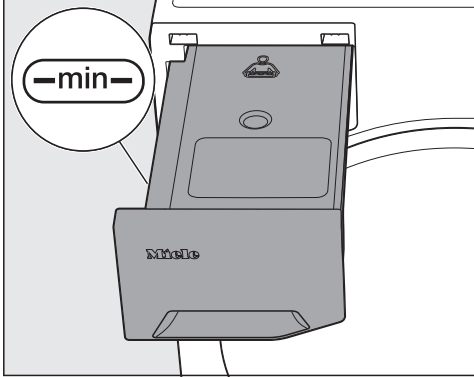


- Empty the condensate container.

**Useful tip:** You can collect the condensed water to use later for the SteamCare function if the condensate container is empty when preparing the next drying programme.

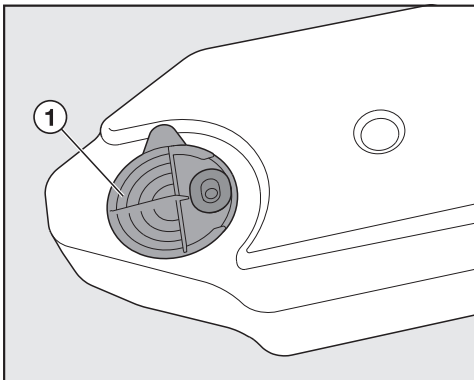
## Preparing the condensate container for SteamCare

The condensate container must be filled up to the —min— mark.



- Check the fill level.
- Top up if necessary.

Damage caused by mains water. Limescale in mains water can clog the SteamCare nozzle. Only fill with mains water in exceptional cases. Otherwise, use condensed water (from tumble drying, for example).

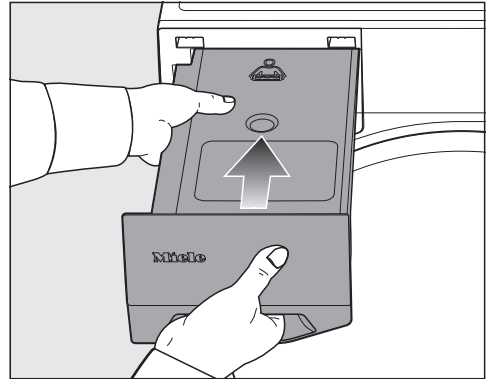


- Pour the condensed water through the rings on the spout ①.

The nozzle can clog up. Only fill with clean condensed water. The water must not contain any fragrance, detergent or other substances.

A fluff filter in the condensate container prevents any fluff being sucked in from the condensed water.

## Inserting the condensate container



- Slide in the condensate container.

# Operation

## Using the FragranceDos fragrance system

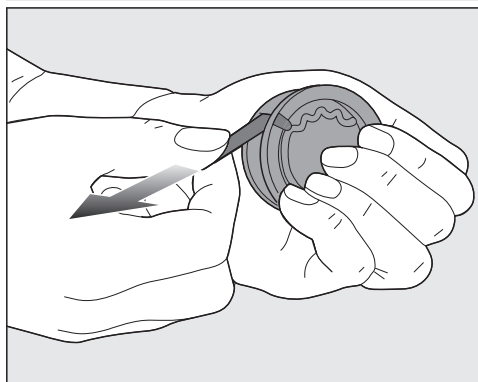
### Removing the protective seal from the fragrance flacon

⚠ Risk of fire if fragrance flacons are used incorrectly.

Leaking fragrance can cause a fire. Before using a fragrance flacon, please read “Warnings and safety instructions – Using a fragrance flacon (optional accessory)”.

⚠ Leaking fragrance can cause health problems.

Fragrance can damage your health (e.g. skin irritation) if it comes into contact with your body. Immediately wash off any leaked fragrance.



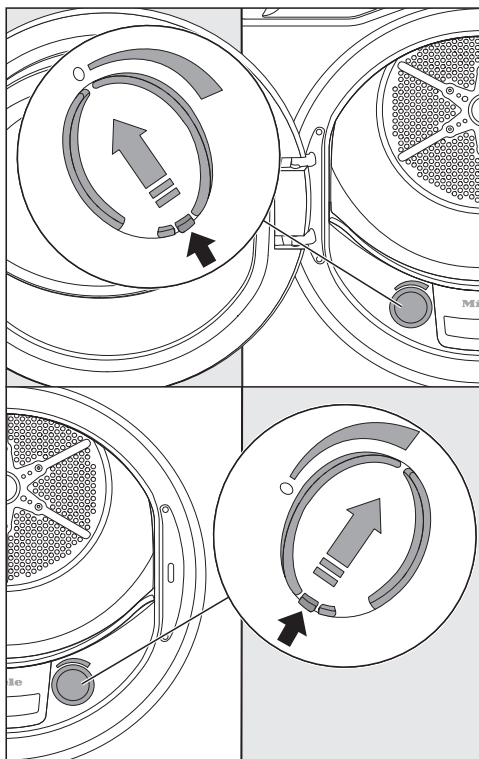
- Hold the fragrance flacon.

**Useful tip:** Do not open the fragrance flacon. Hold the fragrance flacon straight and do not tip.

- Pull out the protective seal.

### FragranceDos sockets

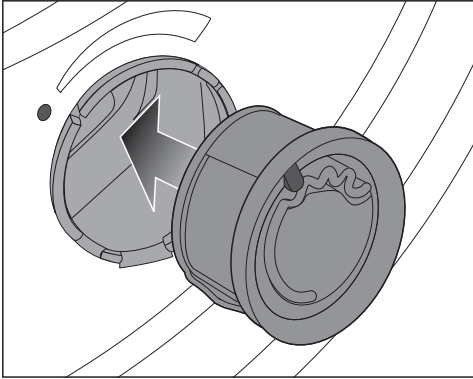
There are 2 sockets in the fluff filter.



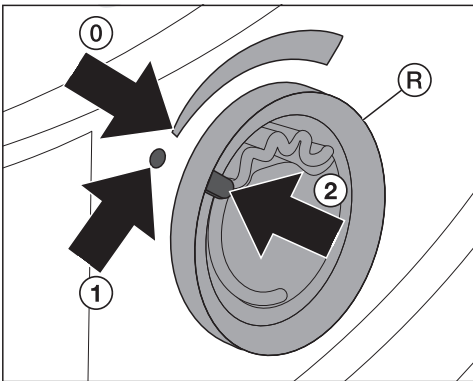
- Open the cover using the opening tab.

To prevent the accumulation of fluff, the cover of the unused socket must remain closed.

## Inserting the fragrance flacon



- 1 Insert the fragrance flacon as far as it will go into the FragranceDos socket.

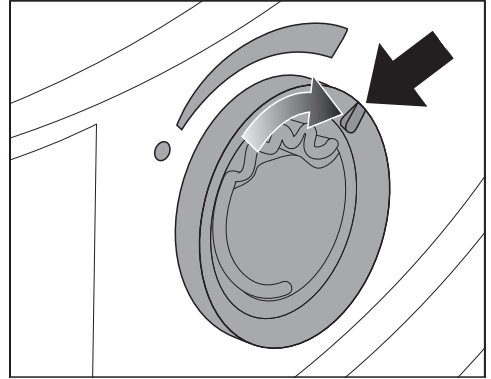


The mark ② is in position ①.

- 2 Turn the outer ring **R** clockwise a little.

**Useful tip:** To prevent the fragrance flacon from slipping out, the mark ② must be in position ①.

## Adjusting the fragrance intensity



- To adjust the fragrance intensity, turn the outer ring to the right.
  - The further you open the fragrance flacon, the more intense the fragrance.
  - Damp laundry and longer programme running times with sufficient heat transfer are needed for the fragrance to be released into the laundry effectively. In the *Cool air* programme or if the fluff filters have not been cleaned properly, the fragrance will not be released efficiently into the laundry.

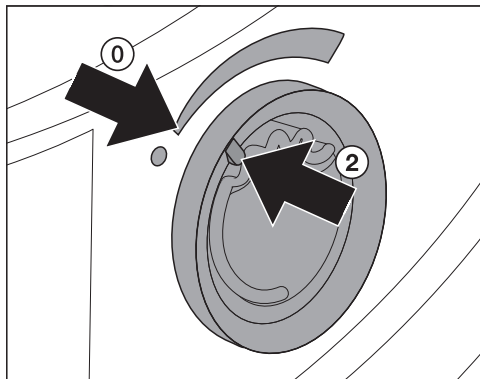
The fragrance will also be noticeable in the ambient air during the process.

**Useful tip:** Replace the fragrance flacon with a new one when the fragrance intensity is no longer sufficient.

# Operation

## Closing the fragrance flacon

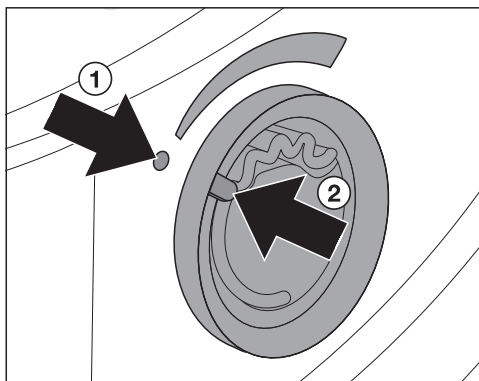
After drying, the fragrance flacon should be closed to prevent the fragrance from escaping.



■ Turn the outer ring anti-clockwise.

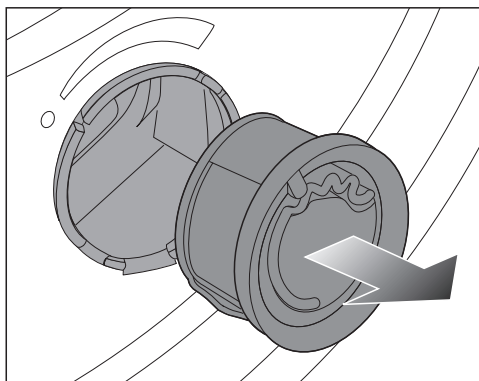
The mark ② is in position ①.

## Removing the fragrance flacon



■ Turn the outer ring anti-clockwise.

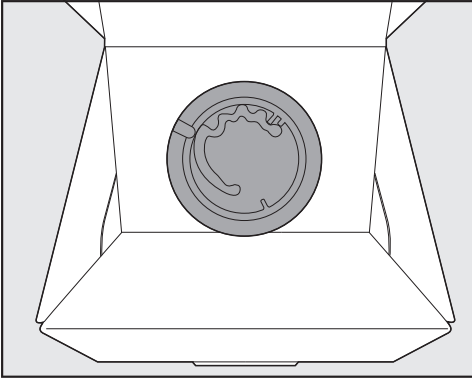
The mark ② is in position ①.



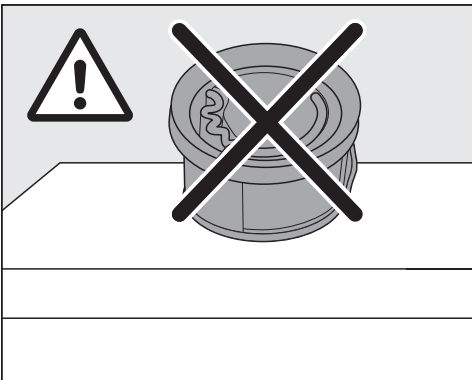
■ Remove the fragrance flacon.

Replacement interval: replace the fragrance flacon when it is empty or the fragrance is no longer sufficient.

## Storing the fragrance flacon



- Store the fragrance flacon in the original packaging in a cool, dry place.
- Do not expose the fragrance flacon to direct sunlight.
- When purchasing new fragrance flacons, only remove the protective seal just before use.



Fragrance can leak.  
Do not store the fragrance flacon upright, upside down or lying down.


# Programmes

---

## Programme chart

Load: specifications refer to the weight of the dry laundry.

<b>Wash2Dry</b>	
The programme is selected automatically in conjunction with the programme selection on the connected washing machine.	
<b>ECO</b>	
Load	9 kg
Items	Cotton items such as those described under <i>Cottons, Cupboard Dry</i> with normal residual moisture
Tip	In this programme, the <i>Cupboard Dry</i> degree of dryness is achieved.

Cottons	
Drying levels	HygieneDry, Extra dry, Cupboard Dry plus, Cupboard Dry, Hand iron plus, Hand iron
Load	9 kg and only 4.5 kg for <i>HygieneDry</i>
Items	<p>HygieneDry</p> <ul style="list-style-type: none"> <li>- Cottons and linen fabric which will be in direct contact with the skin, e.g. underwear, baby clothes, bed linen, towelling</li> <li>- Hard-wearing fabrics with the  care symbol on the care label</li> </ul> <p>Extra dry, Cupboard Dry plus, Cupboard Dry</p> <ul style="list-style-type: none"> <li>- T-shirts, workwear, jackets, blankets, aprons, smocks</li> <li>- Single-layered and multi-layered cotton items</li> <li>- Select programme <i>Cottons Extra dry</i> for testing in accordance with AS/NZS 2442.1 &amp; AS/NZS 2442.2.</li> </ul> <p>Hand iron plus, Hand iron</p> <ul style="list-style-type: none"> <li>- Table linen, bed linen or starched laundry made of cotton or linen fabric</li> </ul>
Tip	<ul style="list-style-type: none"> <li>- Do not cancel <i>HygieneDry</i>. Otherwise a hygienic drying result will not be achieved.</li> <li>- Select <i>Extra dry</i> for multi-layered and very thick fabrics.</li> <li>- Do not use <i>Extra dry</i> for T-shirts, underwear, baby clothes (jersey fabrics). These fabrics can shrink.</li> <li>- To prevent laundry from drying out, it should be rolled up until you are ready for ironing.</li> </ul>

Minimum iron	
Drying levels	HygieneDry, Cupboard Dry plus, Cupboard Dry, Hand iron plus, Hand iron
Load	4 kg
Items	Synthetic and mixed fibre textiles as well as easy care cotton, e.g. jumpers, dresses, trousers and socks/tights
Tip	<ul style="list-style-type: none"> <li>- Fasten zips and buttons.</li> <li>- Do not cancel <i>HygieneDry</i>. Otherwise a hygienic drying result will not be achieved.</li> </ul>


## Programmes

QuickPowerDry	
Drying levels	Extra dry, Cupboard Dry plus, Cupboard Dry, Hand iron plus, Hand iron
Load	4 kg
Items	Garments made of cotton, synthetic fibres or mixed fibres
Tip	Shortens the programme running time

Woollens	
Load	1 kg
Items	Woollen garments and fabric containing wool blends with a care label stating that they are suitable for washing, e.g. jumpers, cardigans, socks/tights
Tip	<ul style="list-style-type: none"> <li>- To dry jumpers made from delicate woollen materials gently and carefully, we recommend drying them individually in the tumble dryer and not for too long in each case. Please reduce the drying time for small loads.</li> <li>- After taking the jumper out of the tumble dryer, lay it out flat until it feels dry to the touch.</li> <li>- Particularly delicate woollen garments, such as those made of angora, camel hair or cashmere, are usually not suitable for this programme. Even if delicate woollen garments are labelled as hand-washable, it is important not to tumble dry these garments in the <i>Woollens</i> programme. Instead, dry them in the <i>Basket programme</i> with the Miele drying basket. Alternatively, you can leave woollen garments to air dry flat.</li> </ul>

Shirts/Blouses	
Drying levels	Cupboard Dry plus, Cupboard Dry, Hand iron plus, Hand iron
Load	2 kg
Items	Shirts and blouses made of cotton and mixed fibre

<b>PowerFresh</b>	
Drying levels	Cupboard Dry plus, Hand iron plus
Load	1 kg
Items	Washed, damp textiles
Tip	<ul style="list-style-type: none"> <li>- For freshening up and smoothing with steam</li> <li>- To enhance the effect, you can also use the DryFresh fragrance flacon (optional accessory).</li> <li>- Insert the DryFresh fragrance flacon and adjust the fragrance intensity: see “Operation – Fragrance flacon”</li> <li>- The condensate container must be filled.</li> </ul>

<b>Delicates</b>	
Drying levels	Cupboard Dry plus, Cupboard Dry, Hand iron plus, Hand iron
Load	2.5 kg
Items	Delicate garments made from synthetic fibre, mixed fibre and viscose with the  care symbol, e.g. lingerie and appliquéd garments
Tip	<ul style="list-style-type: none"> <li>- The load can be reduced further for a particularly crease-free drying process.</li> <li>- <i>DryCare 40</i> is always active.</li> </ul>

<b>Warm air</b>	
Load	9 kg
Items	<ul style="list-style-type: none"> <li>- Drying               <ul style="list-style-type: none"> <li>Dry different types of garments separately, e.g. bath towels, bathing costumes and tea towels</li> </ul> </li> <li>- Drying fully               <ul style="list-style-type: none"> <li>Multi-layered fabrics whose layers have different drying characteristics, e.g. jackets, pillows, sleeping bags and other bulky items</li> </ul> </li> </ul>

# Programmes

Denim	
Drying levels	HygieneDry, Extra dry, Cupboard Dry plus, Cupboard Dry, Hand iron plus, Hand iron
Load	3 kg
Items	Denim garments, e.g. jeans, jackets, shirts, skirts
Tip	<ul style="list-style-type: none"><li>- Fasten zips and buttons.</li><li>- Do not cancel <i>HygieneDry</i>. Otherwise a hygienic drying result will not be achieved.</li></ul>

Outerwear	
Drying levels	Cupboard Dry plus, Hand iron plus
Load	2.5 kg
Items	Functional textiles, e.g. jackets and trousers made from membrane fabrics such as Gore-Tex®, SYMPATEX® and WINDSTOPPER®

Proofing	
Load	2.5 kg
Items	Items made of microfibre and mainly synthetic fibres, e.g. outerwear, skiwear and rainwear, table linen
Tip	<ul style="list-style-type: none"><li>- This programme includes an additional proofing thermal fixing phase.</li><li>- Only use proofing agents which are stated by the manufacturer as being “suitable for use on membrane textiles”. These agents contain fluorochemical compounds.</li><li>- There is a risk of fire. Do not dry fabrics which have been treated with proofing agents containing paraffin.</li></ul>

DryFresh	
Load	4 kg
Items	Washed, damp textiles
Tip	<ul style="list-style-type: none"><li>- For freshening up without additional steam</li><li>- To enhance the effect, you can also use the DryFresh fragrance flacon (optional accessory).</li><li>- Insert the DryFresh fragrance flacon and adjust the fragrance intensity: see “Operation – Fragrance flacon”</li></ul>

Sportswear	
Drying levels	Cupboard Dry plus, Cupboard Dry, Hand iron plus, Hand iron
Load	3 kg
Items	Sportswear such as singlets and leggings as well as microfibre and fleece garments

Express	
Drying levels	Extra dry, Cupboard Dry plus, Cupboard Dry, Hand iron plus, Hand iron
Load	4 kg
Items	Garments suitable for the <i>Cottons</i> programme
Tip	Shortens the programme running time with an increased energy requirement


Down filled items/Duvets	
Drying levels	HygieneDry, Cupboard Dry
Load	1–2 pillows 40 x 80 cm or 1 pillow 80 x 80 cm or 1 duvet
Items	Pillows and duvets with feather (down) or synthetic filling
Tip	<ul style="list-style-type: none"> <li>- The natural properties of feathers cause odours to develop when they are exposed to heat and moisture. Allow bedding to air outside the dryer after drying.</li> <li>- Do not cancel this programme with <i>HygieneDry</i>. Otherwise a hygienic drying result will not be achieved.</li> </ul>

Woollens handcare	
Load	1 kg
Items	Woollen garments and fabric containing wool blends, e.g. jumpers, cardigans, socks/tights
Tip	<ul style="list-style-type: none"> <li>- Wool and wool blend items are given a finish and are fluffed up but are not dried completely.</li> <li>- Remove the laundry at the end of the programme and spread the individual items out to dry.</li> </ul>

# Programmes

<b>Silks handcare</b>	
Load	1 kg
Items	Silk garments such as shirts and blouses
Tip	<ul style="list-style-type: none"><li>- This programme reduces creasing. Items are not dried completely.</li><li>- Remove the garments as soon as the programme has finished.</li></ul>

<b>Smoothing</b>	
Drying levels	Cupboard Dry, Hand iron
Load	1 kg
Items	Washed, damp textiles
Tip	<ul style="list-style-type: none"><li>- To smooth out creasing caused during the spin cycle in the washing machine without additional steam.</li><li>- You can select a drying level for damp items.</li><li>- Remove the garments as soon as the programme has finished.</li></ul>

<b>QuickHygiene</b>	
Load	4 kg
Items	<ul style="list-style-type: none"><li>- Hard-wearing fabrics with the  care symbol on the care label</li><li>- Cottons and linen fabric which will be in direct contact with the skin, e.g. underwear, baby clothes, bed linen, towelling</li></ul>
Tip	<ul style="list-style-type: none"><li>- Also suitable for clean, dry laundry.</li><li>- Longer temperature holding time with a constant temperature. This temperature holding time kills off micro-organisms such as germs or dust mites and reduces allergens in the laundry.</li><li>- Do not cancel this programme. Otherwise a hygienic drying result will not be achieved.</li><li>- Shortens the programme running time.</li></ul>

<b>Bed linen</b>	
Drying levels	HygieneDry, Extra dry, Cupboard Dry plus, Cupboard Dry, Hand iron plus, Hand iron
Load	4 kg
Items	Bed linen, pillowcases
Tip	<ul style="list-style-type: none"> <li>- Fasten zips and buttons.</li> <li>- Do not cancel <i>HygieneDry</i>. Otherwise a hygienic drying result will not be achieved.</li> </ul>

<b>Automatic</b>	
Drying levels	HygieneDry, Extra dry, Cupboard Dry plus, Cupboard Dry, Hand iron plus, Hand iron
Load	5 kg and only 4 kg for <i>HygieneDry</i>
Items	Mixed loads of garments suitable for the <i>Cottons</i> and <i>Minimum iron</i> programmes
Tip	<ul style="list-style-type: none"> <li>- Fasten zips and buttons.</li> <li>- Do not cancel <i>HygieneDry</i>. Otherwise a hygienic drying result will not be achieved.</li> </ul>

<b>Basket programme</b>	
Load	3.5 kg basket load
Items	Items suitable for tumble drying for which mechanical stress should be avoided
Tip	<ul style="list-style-type: none"> <li>- This programme may only be used with the drying basket (optional accessory).</li> <li>- Follow the operating instructions supplied with the drying basket.</li> </ul>

<b>Cool air</b>	
Load	9 kg
Items	Airing fabrics without heating

# Programmes

---

## Extras

### Pre-ironing

Clean, damp laundry is smoothed by steam.

Maximum load: 1 kg

The condensate container must be filled.

### DryCare 40

For all textiles that are washable at 40 °C. The textiles are dried gently. Laundry does not have to be sorted and separated.

Maximum load:

- 4.5 kg in the *Cottons* programme
- 4.0 kg in the *Automatic* programme
- In other programmes, do not exceed the maximum load specified for each programme.

### Quick

The laundry is dried with a shorter programme running time (PowerDry).

### Extra quiet

Noise reduction during drying.

## SingleDry

A small number of individual items can be dried in a short time (PowerDry).


Maximum load: 1 kg

### Save energy

Saves energy during drying, with a longer duration.

### Gentle tumble

The items are dried at a gentle temperature.

Suitable for all items with the  symbol, e.g. those made from acrylic.

The programme running time is increased.

## Consumption data

Programmes <sup>1</sup>	Load size <sup>2</sup> kg	Running time h:min	Energy kWh
<b>ECO</b>	9.0	3:51	1.44
	4.5	2:12	0.75
<b>Cottons Extra dry</b>	4.5	2:10	1.00
<b>Cottons Hand iron</b>	9.0	2:23	1.11
	4.5	1:45	0,70
<b>Minimum iron Cupboard Dry plus</b>	4.0	1:07	0.47
<b>Minimum iron Cupboard Dry</b>	4.0	1:05	0.45
<b>Minimum iron Hand iron</b>	4.0	0:48	0.32
<b>Delicates Cupboard Dry</b>	2.5	1:05	0.45

<sup>1</sup> Using the Cottons Extra dry programme is recommended for a mixed cotton load and is the programme used in energy consumption tests according to AS/NZS 2442.1 & AS/NZS 2442.2 (Refer to <http://www.energyrating.gov.au> website for consumption data).

The values quoted for other programmes without the ECO programme are guide values calculated using EN 61121.

<sup>2</sup> The load refers to the weight of the dry laundry.

**Consumption data can vary from the nominal values given above depending on load size, types of textiles, residual moisture levels after spinning, additional programme parameters selected, fluctuations in the electricity supply or water hardness levels.**

## Good to know



Risk of fire due to incorrect use and operation.

The laundry can burn and destroy the dryer and the surroundings.

See “Warnings and safety instructions” for further information.



Damage due to foreign objects in the laundry.

Foreign objects can melt, burn or explode.

Ensure that any foreign objects (e.g. detergent dispensing aids, lighters, etc.) have been removed from the laundry.

### Tips

#### Washing tips

To prevent the risk of fire in the tumble dryer, wash heavily soiled items particularly thoroughly.

- Use sufficient detergent.
- Select a high wash temperature.
- If in doubt, wash the items several times.

To prevent new garments with intense colours from transferring colour to other garments and plastic parts in the tumble dryer, excess colour must be washed out.

- Wash new, coloured items thoroughly and separately before drying for the first time.

To treat starched laundry in the tumble dryer, an increased amount of starch must be dispensed during washing.

- To achieve the usual finish, double the amount of starch should be used.

Inadequately spun laundry increases the tumble dryer’s energy consumption and programme running time. A fault may occur.

- Select a maximum spin speed for washing.

#### Drying tips

- Sort the laundry according to fibre and fabric.
- Sort the laundry according to the care symbols on the care label.
- Sort the laundry according to colour so that fluff from garments of other colours does not settle on the laundry.
- Loosen the items of laundry before putting them in the tumble dryer.
- Fasten duvet covers and pillowcases to prevent other items from becoming rolled up inside them.
- Fasten any loose belts and ties.
- Close long zips.

## Protecting tumble dryers

To prevent the tumble dryer from being damaged, check that the laundry items are in good condition.

- Sew up damaged hems and seams on items so that fillings (e.g. pillow fillings) do not fall out and cause a fire.
- Sew or remove loose underwires from bras so that they do not come loose and get caught.
- Fasten hooks and eyes on laundry so that they do not get caught.

## Protecting your laundry

Overdrying causes wear and tear to the laundry.

- Do not dry your laundry for too long. Select a drying level with more residual moisture or a shorter duration.

Overfilling causes wear and tear to the laundry, affects the drying result and is more likely to result in creases.

- Observe the recommended load sizes for this tumble dryer.

Shirts and blouses tend to crease more if the load size is large.

- If in doubt, reduce the load size to minimise creases and the amount of ironing required.

Jersey fabrics (e.g. T-shirts, underwear) tend to shrink when they are washed for the first time.

- To prevent further shrinkage, avoid overdrying jersey fabrics.

- If possible, choose a slightly bigger size when buying garments made from jersey fabrics.




Pure linen fabric must be labelled as suitable for tumble drying.



- If in doubt, use the *Smoothing* programme.

Garments with intense colours and a high fluff content can deposit fluff on light-coloured textiles, making it necessary to wash them again.

- Separate garments with intense colours.

## Care symbols on the care label

Drying	
	Temperature
	Normal or higher
	Reduced
	Do not tumble dry

Ironing	
	Temperature
	••• hot, •• medium, • lower
	Do not iron

## Good to know

---

### Selecting the correct programme

Follow the instructions in “Programmes”. They contain tips on selecting the right programme.

### Selecting the correct drying level

To ensure that your laundry is perfectly dried, you can select a drying level for many programmes.

- *HygieneDry* for fabrics with special hygiene requirements
- *Extra dry* for multi-layered or very thick fabrics and for fabrics that do not dry evenly using *HygieneDry*
- *Cupboard dry plus* for fabrics that are to be put away immediately
- *Cupboard dry* for fabrics that may shrink such as light cotton or jersey fabrics
- *Hand iron plus/Hand iron* for items that are to be ironed after drying

### HygieneDry drying level

**Useful tip:** If you have special hygiene requirements for your laundry, select *HygieneDry*.

The *HygieneDry* drying level is used to dry with a high temperature that is constant over an extended period of time. This kills off micro-organisms (such as germs or dust mites) and reduces allergens in the laundry.

The tumble dryer’s energy requirement is higher and the programme running time is longer.

Hygienic drying result is not achieved.

A programme for which the *HygieneDry* drying level has been selected must not be interrupted.

### Adjustable programme running time

For some programmes, such as the *Warm air* programme, you can select a duration.

**Useful tip:** Do not select the longest duration to start with. Try out different durations to find the right one.

## Settings overview

### Settings: overview

\* Follow the instructions in the display.

#### General ▶

#### Software update ▶

#### Language ▶ \*

#### Date & Time ▶ \*

#### Brightness ▶ \*

#### Sounds ▶ \*

Buzzer tones ▶

End of prog. tone ▶

#### Security ▶

System lock ▶

Set up

Edit

Delete

PIN code ▶

#### Proximity sensor ▶

Off

Near

Far

#### Factory default settings ▶

Reset appliance

#### Networking ▶

#### Wi-Fi

#### Connection ▶

Signal strength ▶

Home network ▶

IP address ▶

Reset

#### Remote control

#### Appliance functions ▶

#### Memory

#### ComfortOpen

#### Anti-crease ▶

Anti-crease

Duration ▶

0:30 → 2:00 h

#### Drying levels ▶

Automatic

Cottons

Minimum iron

#### Airways indicator ▶

Light

Normal

Heavy

#### Lighting ▶ \*

Door handle

#### Cooling down temp. ▶

#### Information ▶

#### Software ▶ \*

Central Control Unit ▶

Actor Sensor Units ▶

#### Legal information ▶

Open source licences ▶

#### Consumption ▶

Previous programme ▶

Total consumption ▶

#### Operating hours

#### Information ▶

#### Factory default settings ▶

# Adjusting settings

---

## General

You can find this under ≡ ▶ ⚙️ *Settings* ▶ *General*.

## Software update

You can find this under ≡ ▶ ⚙️ *Settings* ▶ *General* ▶ *Software update*.

To receive updates, you must successfully connect to your home network.

You can switch on this function to keep the software up to date with the latest Miele developments. A message will appear in the display as soon as a new update is available.

## Security

### System lock

You can find this under ≡ ▶ ⚙️ *Settings* ▶ *General* ▶ *Security* ▶ *System lock*.

The system lock prevents the appliance from being used without authorisation.

- *Set up*  
You are prompted to select an input method for the system lock. You must unlock the display every time after switching on.
- *Edit*  
This menu option is only displayed if you have already set up the system lock. You can change the selected PIN code.
- *Delete*  
This menu option is only displayed if you have already set up the system lock. You can delete the system lock. There is no longer any protection against the appliance being used without authorisation.

**Useful tip:** Make a note of the *PIN code*. If you have forgotten the PIN code, Miele Customer Service will have to reset the PIN code.

## Proximity sensor

You can find this under ≡ ▶ ⚙️ *Settings* ▶ *General* ▶ *Proximity sensor*.

The proximity sensor detects movements within a certain range. You can deactivate the proximity sensor or adjust its range (*Near* or *Far*).

## Factory default settings

You can find this under ≡ ▶ ⚙️ *Settings* ▶ *General* ▶ *Factory default settings*.

You can reset the appliance to the default settings.

## Networking

You can find this under ≡ ▶ ⚙️ *Settings* ▶ *Networking*.

Networking allows you to operate your appliance using the Miele App or external voice assistants, as well as to update the software.

### Wi-Fi

You can find this under ≡ ▶ ⚙️ *Settings* ▶ *Networking*.

You can only connect to your home network if the *Wi-Fi* setting is activated.

### Connection

You can find this under ≡ ▶ ⚙️ *Settings* ▶ *Networking* ▶ *Connection*.

You can view information about your home network.

- *Signal strength*  
The strength of the Wi-Fi signal is displayed.

### - *Home network*

You can view the quality of the connection to your home network.

### - *IP address*

The IP address is displayed.

### - *Reset*

If you reset the network data, you will no longer be able to operate your appliance via the Miele App or external voice assistants or update the software. You will need to reconnect to your home network.

The network configuration should be reset whenever the dryer is being disposed of or sold, or if a used dryer is being put into operation. This is the only way to ensure that all personal data has been removed and, in the case of the latter situation, the previous owner will no longer be able to access the appliance.

## Remote control

You can find this under ≡ ▶ ⚙ *Settings* ▶ *Networking*.

You are only able to operate your appliance via the Miele App or external voice assistants if the *Remote control* setting is switched on.

## Appliance functions

Here you can make various settings for the drying process.

### Memory

You can find this under ≡ ▶ ⚙ *Settings* ▶ *Appliance functions* ▶ *Memory*.

The tumble dryer will save the last parameters selected for a programme (drying level and some of the Extras) after the programme has started.

The next time that programme is used the tumble dryer will show those parameters in the display.

### ComfortOpen

You can find this under ≡ ▶

⚙ *Settings* ▶ *Appliance functions* ▶ *ComfortOpen*.

The dryer door opens when the Anti-crease phase has ended or the programme is cancelled.

### Anti-crease

You can find this under ≡ ▶

⚙ *Settings* ▶ *Appliance functions* ▶ *Anti-crease*.

The Anti-crease function reduces creasing after the end of the programme. The drum moves periodically within the selected time period. The tumble dryer door can be opened at any time.

### Drying levels

You can find this under ≡ ▶

⚙ *Settings* ▶ *Appliance functions* ▶ *Drying levels*.

The drying levels of the selected programme can be adjusted individually: from damper (left) to drier (right), which affects the programme running time and energy consumption.

### Airways indicator

You can find this under ≡ ▶

⚙ *Settings* ▶ *Appliance functions* ▶ *Airways indicator*.

After a long period of use, a message lights up at the end of the programme to remind you to remove fluff from the fluff filters and the plinth filter. Depending on how heavy or light the build-up of fluff is, the sensitivity of this reminder can be set or switched off.

# Adjusting settings

---

**Useful tip:** If you find that the message for removing fluff lights up too often, even though not a lot of fluff has built up, select Heavy.

## Cooling down temp.

You can find this under ≡ ▶

⚙️ *Settings ▶ Appliance functions ▶ Cooling down temp.*

For all drying level programmes, the cooling down temperature can be changed in the cooling phase before the end of the programme. If a cooler temperature is selected, the cooling phase will last longer.

## Information

### Legal information

You can find this under ≡ ▶ ⚙️ *Settings ▶ Information ▶ Legal information.*

You can query which integrated open source components are used in the software.

### Open source licences

You can view information here.

### Copyright and licences for operating and control software

For the purpose of operating and controlling the appliance, Miele uses proprietary or third-party software that is not covered by open source licensing terms. These items of software/software components are protected by copyright. The copyright powers of Miele and third parties must be respected.

In addition, the appliance contains software components which are distributed under open source licensing terms. You can access these open

source components along with the associated copyright notices, copies of the valid licensing terms and any further information in the appliance under the menu option *Settings | Appliance parameters | Legal information | Open source licences*. The liability and warranty arrangements for the open source licences displayed at this location only apply in relation to the respective rights holders.

### Consumption

You can find this under ≡ ▶ ⚙️ *Settings ▶ Information ▶ Consumption.*

The consumption in kWh over the last programme or over the total dryer running time is displayed.

### Operating hours

You can find this under ≡ ▶ ⚙️ *Settings ▶ Information.*

You can query the number of operating hours.

### Service

You can find this under ≡ ▶ ⚙️ *Settings ▶ Service.*

You can set whether Miele Customer Service can gain access to the software for servicing purposes.

#### Remote Access

Miele Customer Service can access the software remotely.

## Cleaning the casing, drum and control panel

**⚠** Risk of electric shock from mains voltage.

The mains voltage is applied to the tumble dryer even if it is switched off. Disconnect the mains plug before cleaning or maintenance.

**⚠** Damage due to ingress of water.

The pressure of a water jet can cause water to get into the tumble dryer, resulting in damage to components. Do not spray the tumble dryer with a water jet.

**⚠** Damage due to cleaning agents.

Solvent-based cleaning agents, abrasive cleaners, glass cleaners or all-purpose cleaners can cause damage to plastic surfaces and other parts.

Do not use these cleaning agents.

### Cleaning recommendation:

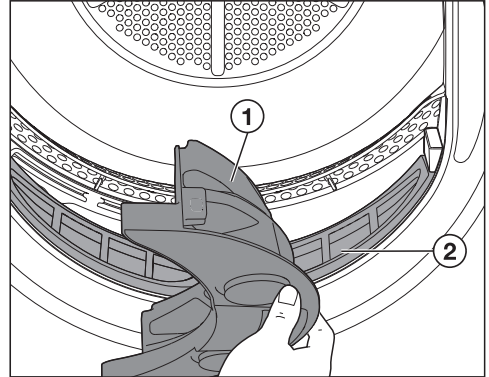
Clean with a soft cloth once or twice a year and as required.

- Clean the casing and control panel with a mild cleaning agent or soapy water and dry both with a soft cloth.
- The drum can be cleaned using a suitable stainless steel cleaner if desired.

## Cleaning the fluff filters

Fluff is principally the result of friction when garments are being worn and to some extent when they are being washed. Fluff filters trap the fluff produced.

## Cleaning interval



Clean both fluff filters ① and ② after each drying programme.

The programme running time is extended due to a heavy build-up of fluff.

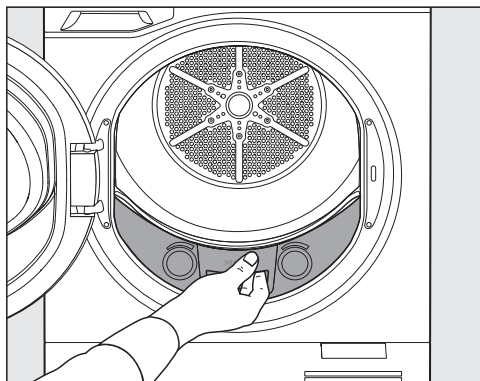
A fault may occur.

Clean the fluff filters after every drying cycle.

# Cleaning and care

## Removing the upper fluff filter

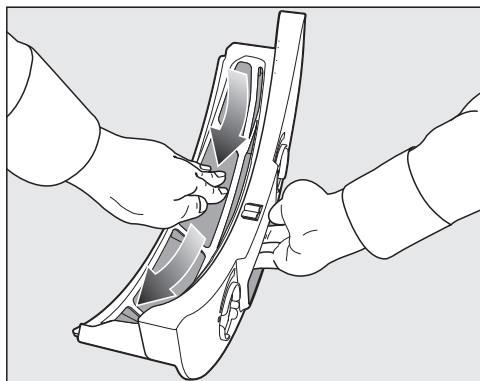
- Open the tumble dryer door.



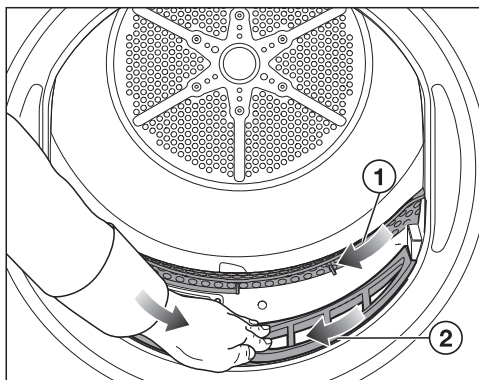
- Pull the fluff filter out.

## Removing the fluff

**Useful tip:** A ball of fluff forms under your fingers when you start wiping. Strip off the remaining fluff using the fluff ball.



- Remove the fluff.



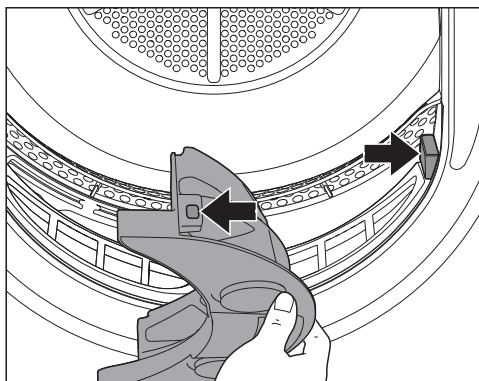
- Use a cleaning cloth to remove fluff ①.
- Remove the fluff ②.

**Useful tip:** Alternatively, use a vacuum cleaner with a dusting brush.

If you use a crevice nozzle, it must be undamaged. Cracks or burrs on the crevice nozzle can cause damage.

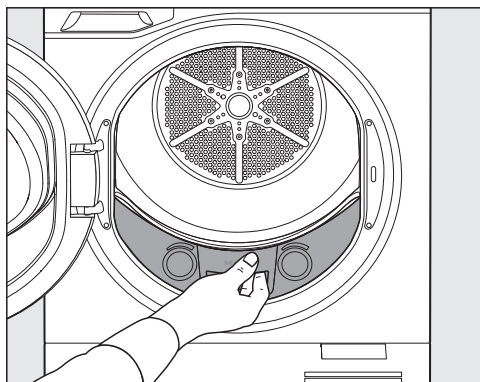
## Cleaning the fragrance flacon lighting

An LED illuminates the FragranceDos sockets in the fluff filter via a light guide.



- Use a cleaning cloth to remove any residues (arrows).

### Inserting the upper fluff filter



- Push the fluff filter all the way in.
- Close the tumble dryer door.

### Cleaning the residual moisture sensor

The residual moisture sensor in the tumble dryer measures the residual laundry moisture to improve the drying results.

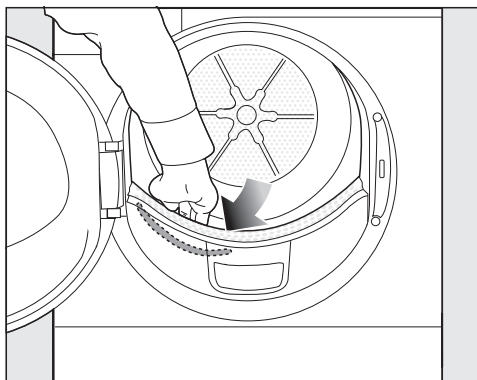
### Cleaning interval

Clean the residual moisture sensor once or twice a year with a soft cloth.

Fault when measuring the residual moisture.

The residual moisture is determined incorrectly because detergent residues form a coating on the residual moisture sensor.

Clean the residual moisture sensor.



- Reach into the tumble dryer drum with your hand.

In the front, on the left, you will feel the elongated metal residual moisture sensor.

- Clean the residual moisture sensor with a damp cleaning cloth and a small amount of soapy water.
- Dry with a soft cleaning cloth.

# Cleaning and care

## Cleaning the plinth filter

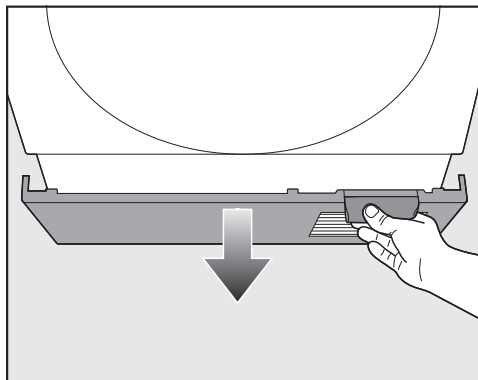
### Cleaning interval

Clean the plinth filter only when prompted to do so by the display or if the programme running time has been extremely long.

Do not clean the plinth filter after every drying programme. Frequent cleaning will cause the filter to wear prematurely.

Fault due to clogged plinth filter.  
The programme running time is extended, the programme is aborted or a fault occurs.  
Clean the plinth filter.

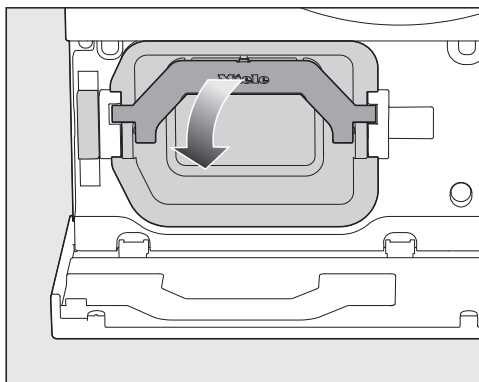
### Opening the plinth flap



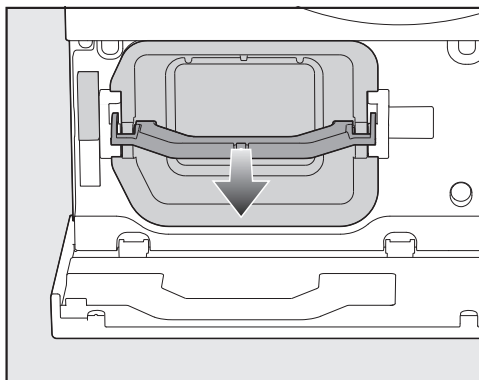
- Open the plinth flap.

The plinth flap can break off.  
Do not place anything on the plinth flap when it is open.

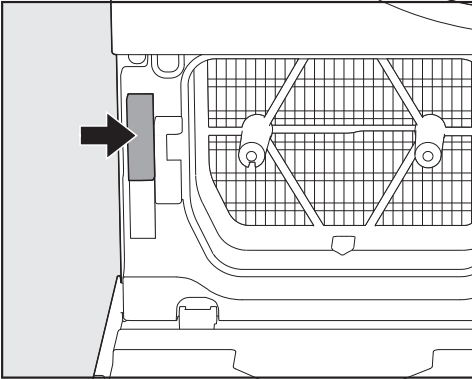
## Removing the holder with plinth filter



- Fold the handle downwards.

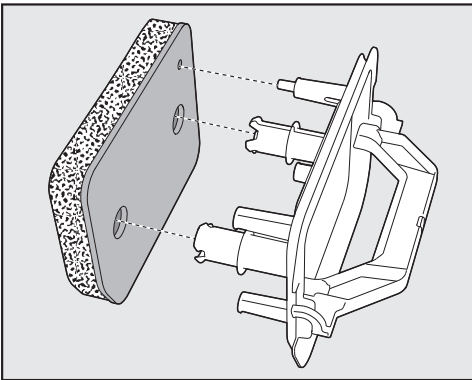


- Grasp the handle and pull the holder forwards to remove it.

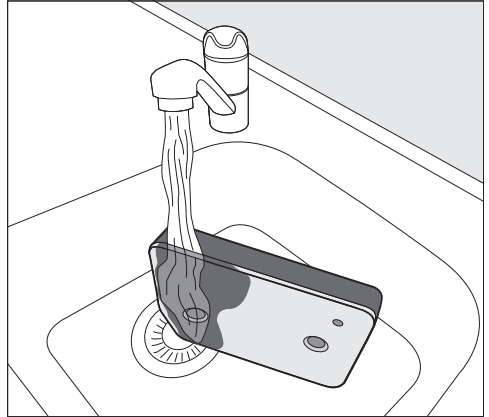


A safety element (arrow) is activated when the holder is pulled out. The safety element prevents the plinth flap from closing without the holder inserted. The safety element is deactivated when the holder is pushed in.

## Cleaning the plinth filter

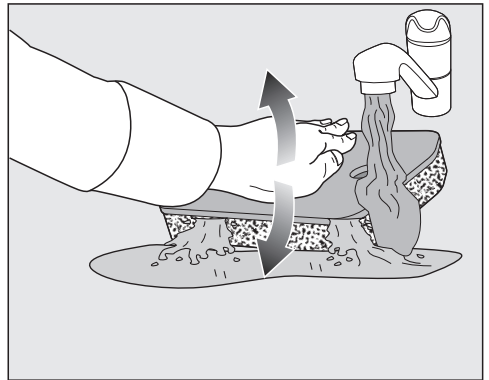


- Pull the plinth filter off the holder.
- Clean the plinth filter gently and thoroughly under running water.



**Useful tip:** To speed up the removal of residue from the surface, run a water jet vertically over the front of the plinth filter.

- Squeeze out the plinth filter carefully several times as you rinse it.

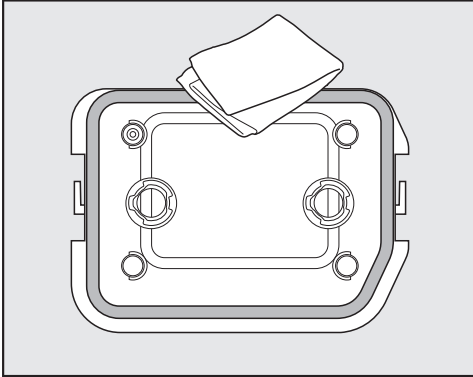


- To loosen underlying residue, press down on the plinth filter with the palm of your hand several times.
- Rinse and wash the plinth filter until all visible residues have been removed.
- Carefully press down on the plinth filter with the palm of your hand until all of the water has been removed.

## Cleaning and care

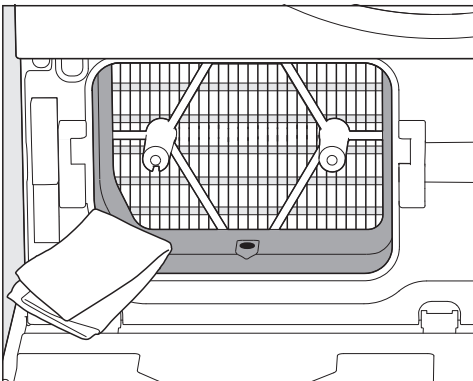
**Useful tip:** To absorb water, place the damp plinth filter between two towels. On an even surface, gently press down on the plinth filter with the palm of your hand. This will help the plinth filter to dry faster.

### Cleaning the holder



- Clean the holder with a damp cloth and a small amount of soapy water.
- Clean the rubber seal on the holder without damaging it.
- Dry with a soft cleaning cloth.

### Cleaning the edges in front of the heat exchanger



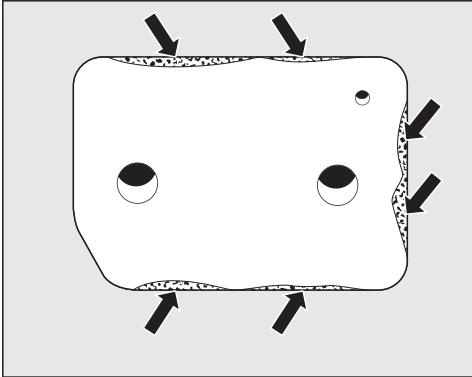
- Only clean the plastic edges and the opening on the right-hand side.

**Useful tip:** Use a damp cloth and a small amount of soapy water.

- Dry with a soft cleaning cloth.

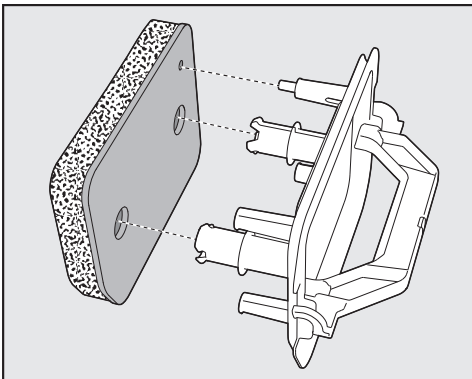
The heat exchanger (cooling fins) does not usually need to be cleaned. If there is a build-up of fluff, follow the instructions in “Problem solving guide – Checking the heat exchanger”.

## Inserting the holder and plinth filter



**⚠** Damage caused by a damaged or worn plinth filter.

The heat exchanger becomes blocked and damage may occur. Check the plinth filter following the instructions provided in “Problem solving guide – Replacing the plinth filter”. If necessary, replace the plinth filter with a new one.

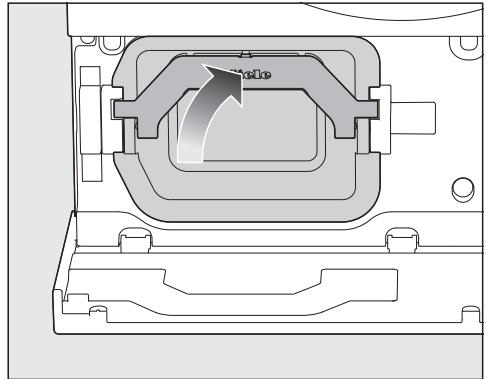


- Fit the plinth filter back on the holder the right way round.

**⚠** Faults caused by a dripping plinth filter.

A dripping plinth filter can cause operational faults while drying. Carefully squeeze the water out of the plinth filter several times.

- Slide the holder into place by the handle.



- Fold the handle upwards.

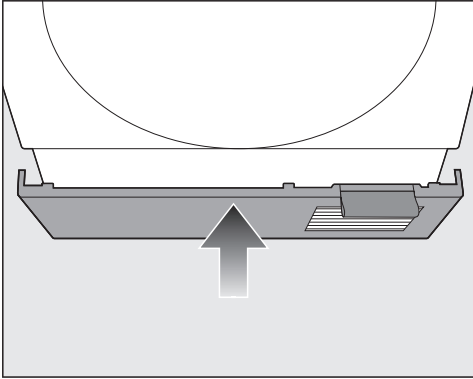
**⚠** Damage caused by a missing plinth filter.

The heat exchanger becomes blocked and damage may occur. Only operate the tumble dryer with a plinth filter.

# Cleaning and care

---

## Closing the plinth flap

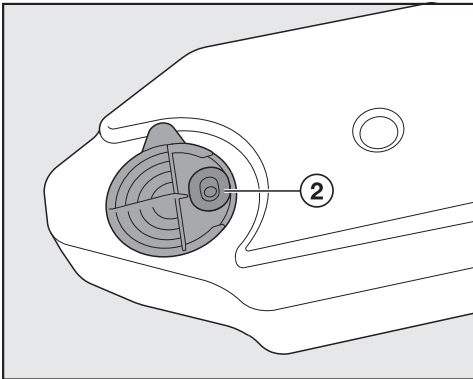


- Close the plinth flap.

## Cleaning the rubber seal on the condensate container

### Cleaning recommendation:

Clean once or twice a year and as required.



- Use a damp cleaning cloth and a small amount of soapy water to carefully remove any residues from the rubber seal ② on the condensate container.
- Check that the rubber seal is properly pressed into the groove.

Many malfunctions and minor faults that can occur in daily operation can be corrected without contacting Miele. This will save you time and money because you will not need a service call.

You can find information on how to remedy faults yourself at [www.miele.com.au/support/customer-assistance](http://www.miele.com.au/support/customer-assistance) or [www.miele.co.nz/support/customer-assistance](http://www.miele.co.nz/support/customer-assistance) and on the Miele website.

The following tables are designed to help you to find the cause of a malfunction or a fault and to resolve it. Please note that a call-out charge will be applied to unnecessary service visits where the problem could have been rectified as described in these operating instructions.

### Fault messages shown in the display when a programme is cancelled

Message	Possible cause and remedy
<b>Fault F occurred. Switch the appliance off and on again. If the fault persists, contact Miele.</b>	<p>There is no obvious cause.</p> <ul style="list-style-type: none"><li>■ To switch off the message, you must switch off the tumble dryer.</li><li>■ Switch the tumble dryer on.</li><li>■ Start a programme.</li></ul> <p>If the fault occurs again, contact Miele Customer Service.</p>
<b>Empty the container or check the drain outlet.</b>	<p>The condensate container is full or there is a kink in the drain hose.</p> <ul style="list-style-type: none"><li>■ To switch off the message, you must switch off the tumble dryer and wait a short while before switching it on again.</li><li>■ Empty the condensate container.</li><li>■ Check the drain hose. The drain hose must not be kinked.</li></ul>

## Problem solving guide

Message	Possible cause and remedy
<b>Fault F66 • Airways</b>	<p>Fluff or detergent residues have clogged the fluff filters and the plinth filter.</p> <ul style="list-style-type: none"> <li>■ To switch off the message, you must switch off the tumble dryer and wait a short while before switching it on again.</li> <li>■ Clean the fluff filters and the plinth filter.               <ul style="list-style-type: none"> <li>– See “Cleaning and care – Cleaning the fluff filters” and “Cleaning the plinth filter”.</li> <li>– If the fluff filters are heavily clogged or blocked, the fluff filters must be cleaned with water and the airways cleaned. See “Problem solving guide – Cleaning the fluff filters with water”.</li> </ul> </li> <li>■ If the fluff filters and the plinth filter are damaged or out of shape, or if they cannot be cleaned, they must be replaced.</li> </ul> <p>If the fault message is displayed again after cleaning, this could be due to one of the causes listed below.</p>
	<p>The plinth filter was wet when it was fitted.</p> <ul style="list-style-type: none"> <li>■ Carefully squeeze the water out of the plinth filter.</li> <li>■ Leave the plinth filter to air-dry.</li> </ul>
	<p>There are still residues in the plinth filter that could not be removed.</p> <ul style="list-style-type: none"> <li>■ Check the plinth filter. See “Problem solving guide – Signs of wear on the plinth filter”.</li> <li>■ You can reactivate the plinth filter in the washing machine. See “Problem solving guide – Reactivating the plinth filter”.</li> </ul>
	<p>The heat exchanger is clogged.</p> <ul style="list-style-type: none"> <li>■ Check the heat exchanger. See “Problem solving guide – Checking the heat exchanger”.</li> </ul>

### Information in the display

Message	Possible cause and remedy
<b>Clean the fluff and plinth filters.</b>	The tumble dryer is not working correctly or economically. This may be caused by fluff or detergent residues. <ul style="list-style-type: none"> <li>■ Clean the fluff filters and the plinth filter. <ul style="list-style-type: none"> <li>– See “Cleaning and care”, sections “Cleaning the fluff filters” and “Cleaning the plinth filter”.</li> </ul> </li> </ul>
	You can influence when the indicator lights up. <ul style="list-style-type: none"> <li>■ To do this, follow the instructions in “Adjusting settings – Airways indicator”.</li> </ul>
<b>Extra cooling</b>	The laundry will be cooled down to reach the temperature required at the end of the programme.
<b>Extra cooling/Finish</b>	The laundry is still being cooled. <ul style="list-style-type: none"> <li>■ You can remove the laundry and spread it out to cool down or leave it in the tumble dryer to cool down.</li> </ul>
<b>Drying level changed</b>	The drying level you selected previously should not be combined with this Extra. The closest possible drying level is selected automatically.
<b>Fill condensate container</b>	The condensate container is empty. There is not enough condensed water available for SteamCare. <ul style="list-style-type: none"> <li>■ Fill the condensate container to at least the –min– mark.</li> </ul>
<b>Open and close the door</b>	After selecting a programme with SteamCare, you will be prompted to load the laundry. <ul style="list-style-type: none"> <li>■ Load the laundry in the drum.</li> </ul>

## Problem solving guide

---

### The drying programme takes a long time

Problem	Possible cause and remedy
<b>The drying programme takes a very long time.</b>	This can be caused by many factors. <ul style="list-style-type: none"><li>■ Switch the tumble dryer off.</li><li>■ Check for the possible causes described below.</li><li>■ Switch the tumble dryer back on afterwards.</li></ul>
	The room in which the tumble dryer is located is too warm. <ul style="list-style-type: none"><li>■ Ventilate the room thoroughly.</li></ul>
	The drum is too full. <ul style="list-style-type: none"><li>■ Take out some of the laundry.</li></ul>
	The cool air vent in the plinth flap and the air gap between the bottom of the dryer and the floor have been blocked. <ul style="list-style-type: none"><li>■ Move any objects, such as a laundry basket, away from the dryer.</li></ul>
	The laundry is too wet after washing. <ul style="list-style-type: none"><li>■ Select a higher spin speed when washing.</li></ul>
	Detergent residues, hair and fine fluff can clog the filters. <ul style="list-style-type: none"><li>■ Clean the fluff filters under running water.</li><li>■ Check the top air guide.</li><li>■ Clean the plinth filter under running water.</li><li>■ Remove any visible fluff from the heat exchanger using a vacuum cleaner and dusting brush.</li></ul> The cleaning instructions listed above can be found in "Problem solving guide".

### Insufficient drying results

Problem	Possible cause and remedy
<b>Items made of synthetic fibres are charged with static electricity.</b>	Synthetic fibres tend to attract static charge in the dryer. <ul style="list-style-type: none"><li>■ To minimise static charge, use a fabric softener in the final rinse cycle of the washing machine.</li></ul>

## Problem solving guide

Problem	Possible cause and remedy
<b>The laundry is still damp.</b>	There is too much laundry in the drum or it has become tangled. <ul style="list-style-type: none"> <li>■ Disentangle the laundry and remove a few items.</li> </ul>
	The load consisted of different types of fabric. <ul style="list-style-type: none"> <li>■ Finish drying using the <i>Warm air</i> programme.</li> <li>■ Dry items of the same textile type together in future.</li> </ul>
	The drying level selected does not meet the requirements. <ul style="list-style-type: none"> <li>■ Select a different drying level.</li> <li>■ You can set the residual moisture of some drying levels to drier or damper. For further information, see “Adjusting settings – Drying levels”.</li> </ul>
	Metallic components, e.g. zips, have prevented the tumble dryer from registering the correct laundry moisture content. <ul style="list-style-type: none"> <li>■ Open any zips next time.</li> <li>■ If the problem recurs, dry these items using the <i>Warm air</i> programme.</li> </ul>
<b>The <i>DryCare 40 Extra</i> is not drying the laundry sufficiently.</b>	The room in which the tumble dryer is located is too warm. This has caused the <i>DryCare</i> process to finish prematurely. <ul style="list-style-type: none"> <li>■ Ventilate the room thoroughly.</li> <li>■ To fully dry the laundry, select <i>Warm air</i> and <i>DryCare 40</i>.</li> </ul>
<b>Fluff is released from textiles during tumble drying.</b>	Abrasion during wearing and, in some cases, during washing causes fluff to be released from garments, which remains on the laundry after washing. Tumble drying hardly causes any fluff to form. <ul style="list-style-type: none"> <li>■ See “Cleaning and care – Cleaning the fluff filters”.</li> </ul>


### Noises and odours

Problem	Possible cause and remedy
<b>You can hear whirring or humming operating noises.</b>	This noise is emitted by the compressor (heat pump) or the pump for <i>SteamCare</i> . <ul style="list-style-type: none"> <li>■ No action is required.</li> </ul>
	Whirring and humming noises during drying are not a fault.

## Problem solving guide

Problem	Possible cause and remedy
<b>Laundry or feather-filled pillows smell unpleasant.</b>	<p>The natural properties of feathers or grease residues cause odours to develop.</p> <p>The laundry was washed with insufficient detergent.</p> <ul style="list-style-type: none"><li>■ Use <i>FragranceDos</i>.</li><li>■ Take pillows out of the tumble dryer and air them.</li><li>■ Wash laundry in the washing machine with sufficient detergent.</li></ul>

### Other problems

Problem	Possible cause and remedy
<b>The tumble dryer does not switch on.</b>	<p>There is no power to the tumble dryer.</p> <ul style="list-style-type: none"><li>■ Check whether the mains plug is plugged in and switched on.</li><li>■ Check whether the circuit breaker has tripped.</li></ul>
	<p>The MotionReact function is switched off. The MotionReact sensor does not respond.</p> <ul style="list-style-type: none"><li>■ Touch the  sensor control and switch on the tumble dryer.</li><li>■ Check the MotionReact settings in the settings.</li><li>■ Check the MotionReact sensor by approaching the tumble dryer from the front.</li></ul>
<b>The dryer is switched off at the end of the programme.</b>	<p>The tumble dryer switches off automatically. This is not a fault, but a normal function.</p>
<b>A programme cannot be started.</b>	<p>There is no obvious cause.</p> <ul style="list-style-type: none"><li>■ Check whether the mains plug is plugged in and switched on.</li><li>■ Check whether the tumble dryer is switched on.</li><li>■ Check that the dryer door is closed.</li><li>■ Check the mains fuses.</li></ul> <p>Has there been a power cut? When the supply voltage is restored, any previously running programme will restart automatically.</p>
<b>The drying programme is running and the display is dark.</b>	<p>The display has switched off automatically to save energy (Standby mode).</p> <p>The drum will turn at intervals in the Anti-crease phase.</p> <ul style="list-style-type: none"><li>■ To end Standby mode, touch the display.</li></ul>

## Problem solving guide

Problem	Possible cause and remedy
<p><b>The fluff filters are visibly clogged or blocked.</b></p>	<p>Detergent residues can cause incrustations and clog the fluff filters.</p> <ul style="list-style-type: none"> <li>■ Clean the fluff filters under running water. See “Problem solving guide – Cleaning the fluff filters with water”.</li> </ul>
	<p>Using too much detergent or poor cleaning results during washing can cause incrustations in the fluff filters.</p> <ul style="list-style-type: none"> <li>■ Check the detergent dispensing quantity the next time you wash your laundry. If possible, reduce the quantity of detergent.</li> </ul>
<p><b>The drying programme is cancelled after the plinth filter has been cleaned.</b></p>	<p>The plinth filter was wet when it was fitted.</p> <ul style="list-style-type: none"> <li>■ Remove the plinth filter and gently dry the plinth filter between 2 towels.</li> </ul>
	<p>The plinth filter is heavily clogged. If the programme is cancelled again even though the plinth filter is dry, we recommend reactivating it in the washing machine.</p> <ul style="list-style-type: none"> <li>■ First check all measures described in “Problem solving guide – Reactivating the plinth filter”.</li> </ul>
<p><b>After removing the plinth filter, you can see that condensed water has accumulated.</b></p>	<p>The drain for condensed water is blocked.</p> <ul style="list-style-type: none"> <li>■ Clean the drain. See “Problem solving guide – Cleaning the drain for condensed water”</li> </ul>
<p><b>The spray jet for SteamCare is insufficient or does not work.</b></p>	<p>The fluff filter in the condensate container is clogged.</p> <ul style="list-style-type: none"> <li>■ Clean the fluff filter in the condensate container. See “Problem solving guide – Cleaning the fluff filter in the condensate container”.</li> </ul>
	<p>There are heavy limescale deposits on the nozzle in the door opening.</p> <ul style="list-style-type: none"> <li>■ Replace the nozzle. See “Problem solving guide – Replacing the nozzle for SteamCare”.</li> <li>■ Only fill with commercially available condensed water. Do not fill with mains water.</li> </ul> <p>Mains water leads to limescale deposits.</p>


## Problem solving guide

---

Problem	Possible cause and remedy
<b>The drum lighting does not come on.</b>	<p>To save energy, the drum lighting goes out automatically after a set time and after the programme starts.</p> <ul style="list-style-type: none"><li>■ Switch the tumble dryer off and then on again.</li><li>■ To switch the drum lighting on, open the door of the tumble dryer.</li></ul> <p>The drum lighting is faulty. The drum lighting is designed to last a long time and should not normally need to be replaced.</p> <ul style="list-style-type: none"><li>■ If you have tried everything but the drum lighting still does not come on, contact Miele Customer Service.</li></ul> <p>Defective drum lighting can only be replaced by Miele Customer Service.</p>
<b>The fragrance flacon lighting does not light up sufficiently.</b>	<p>The intensity of the lighting changes as the fragrance intensity is adjusted. If the light intensity hardly changes, then the fragrance flacon lighting is dirty.</p> <ul style="list-style-type: none"><li>■ Clean the fragrance flacon lighting. See “Cleaning and care – Cleaning the fluff filters”.</li></ul>

## Signs of wear on the plinth filter

If the plinth filter shows signs of wear, it must be replaced.

 Damage caused by a worn plinth filter.

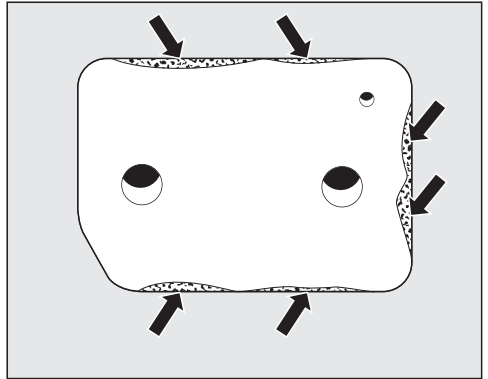
The heat exchanger becomes blocked and damage may occur. Replace the plinth filter (optional accessory) if you see the following signs of wear before or after cleaning.

Signs of wear on the plinth filter may include:

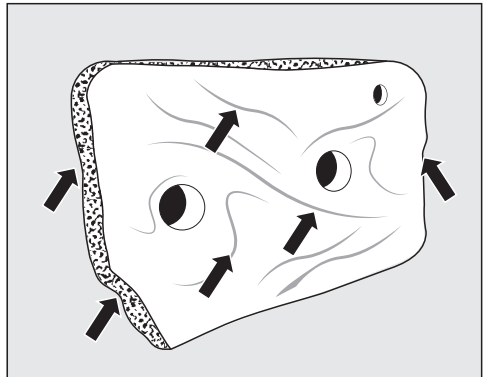
1. Poor fit and deformations
  - The plinth filter needs to be replaced.
2. Cracks, tears, indentations
  - The plinth filter needs to be replaced.
3. Discolouration on the side edges and on the plinth filter
  - Reactivate the plinth filter in the washing machine.

## Poor fit and deformations

Poor fit and deformations are clear signs of wear. As a result, the edges of the plinth filter are no longer positioned correctly in the tumble dryer.



Poor fit can be seen on the side edges.



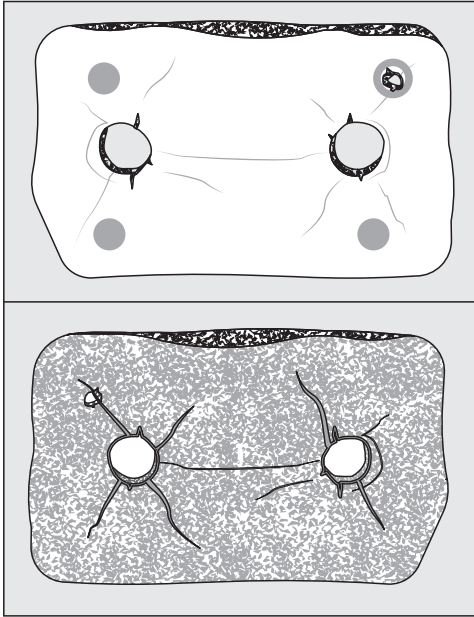
Deformations can be seen on the side edges and on the entire plinth filter.

**Useful tip:** You need to replace the plinth filter.

# Problem solving guide

## Cracks, tears, indentations

Cracks and tears are clear signs of wear.



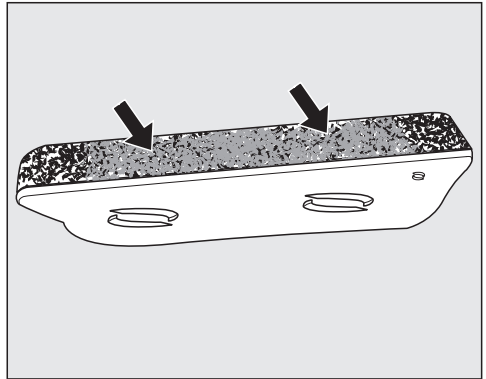
Cracks, tears and indentations can be seen on the front and back.

**Useful tip:** You need to replace the plinth filter.

## Discolouration on the side edges and on the plinth filter

Discolouration is caused by residues of fibres and washing substances. In extreme cases, the residues form stubborn incrustations and the plinth filter can become clogged.

Even if the plinth filter looks flawless, poor fit can occur on the plinth filter due to residues. Other residues can be blown past the side edges into the heat exchanger.



Discolouration and incrustations are particularly visible on the side edges.

**Useful tip:** Reactivate the plinth filter in the washing machine. If reactivating does not improve the situation, you will need to replace the plinth filter.

**Useful tip:** You can take steps to reduce blockages and incrustations on the plinth filter.

Too much residue indicates excessive detergent dispensing in the washing machine or poor cleaning results. Check the detergent dispensing quantity the next time you wash your laundry. If possible, reduce the quantity of detergent. In extreme cases, you should select an extra rinse cycle.

## Reactivating the plinth filter

**Useful tip:** To reprocess the clogged plinth filter, you can reactivate the plinth filter in the washing machine.

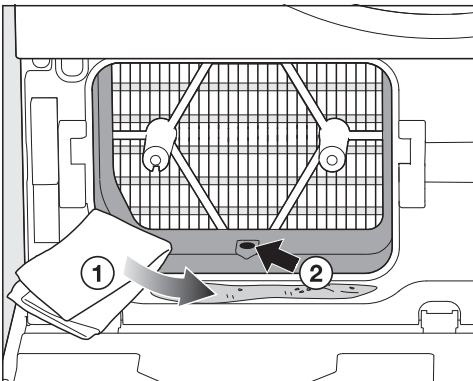
First check the plinth filter for signs of wear. See “Problem solving guide – Signs of wear on the plinth filter”. Replace the plinth filter in case of doubt.

**Useful tip:** You can reactivate one or more soiled plinth filters in a washing machine.

- Reactivate the plinth filter separately without laundry and without detergent.
- Select a short wash programme with a maximum temperature of 40 °C and a maximum spin speed of 600 rpm.

After spinning, you can refit the plinth filter in the tumble dryer.

## Cleaning the drain for condensed water



- Dry with a soft cleaning cloth ①.
- Remove any fluff from the drain ② with a toothpick or cotton wool bud.

## Checking the heat exchanger

The heat exchanger can become clogged if the plinth filter shows signs of wear.

**⚠ Risk of injury from sharp cooling fins.**

You could cut yourself.

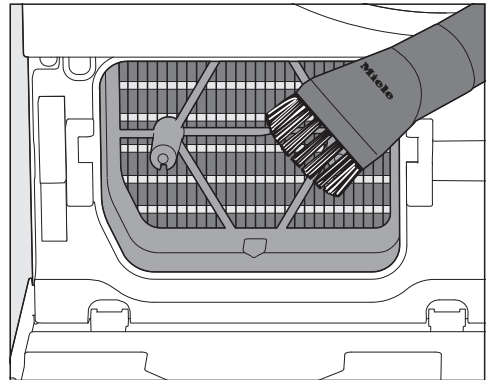
Do not touch the cooling fins with your hands.

- Check for any accumulation of fluff. Any visible fluff must be removed.

**⚠ Damage due to bent cooling fins.**

If the cooling fins are damaged or bent, a fault can occur.

Carefully clean the cooling fins with a vacuum cleaner and dusting brush.



- Only pass the dusting brush over them lightly, without applying any pressure.

# Problem solving guide

## Cleaning the fluff filters with water

Clean the fluff filters under running water:

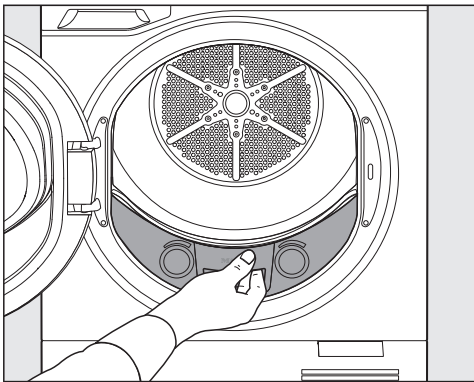
- if the programme running time is increased excessively
- if the fluff filters are visibly clogged/ blocked

- Rinse the fluff filters under warm running water.
- Wipe the smooth plastic surfaces of the fluff filters using a damp cloth with a little soapy water.
- Shake the fluff filters thoroughly.

**Useful tip:** Dry carefully with a soft cloth.

## Removing the upper fluff filter

- Open the tumble dryer door.

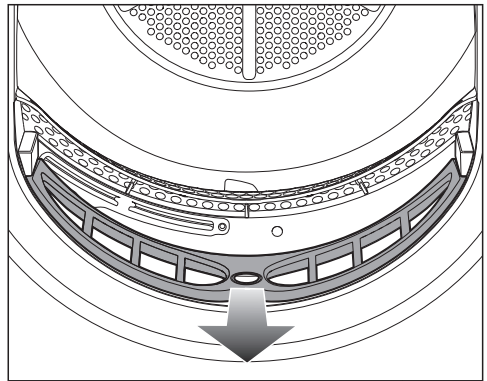


- Pull the fluff filter out.

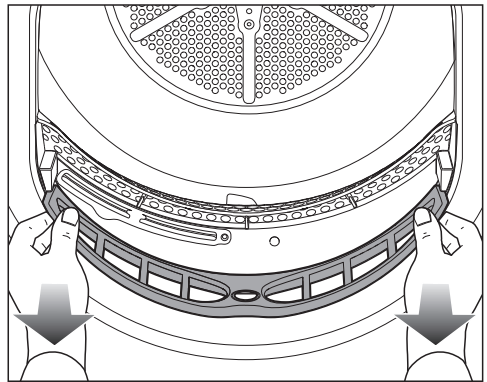
## Removing the lower fluff filter

Only remove the lower fluff filter when necessary.

Try out which of the following removal options works best.



- Place your thumb in the recess in the centre.



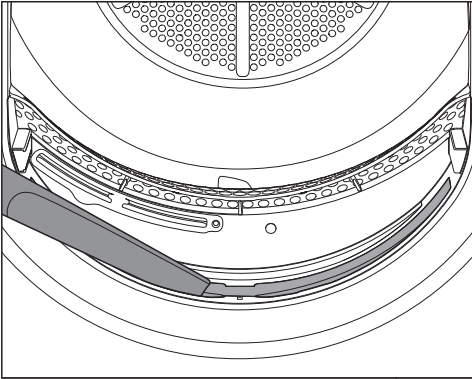
- Or place your thumbs on the left and right.
- Pull the lower fluff filter out.

## Checking the airways

Check the airways on a regular basis.

A large build-up of fluff is a sign that the fluff filters are damaged.

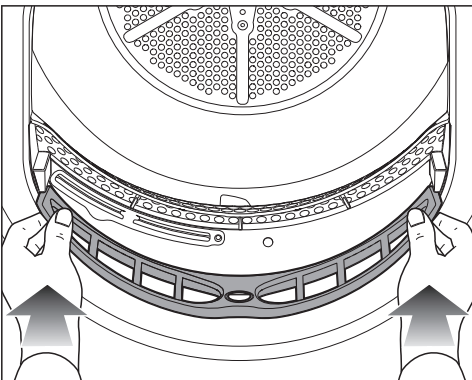
The drying time may be extended and the tumble dryer may be damaged. Replace the fluff filters if they are damaged.



- Vacuum visible fluff with a long vacuum cleaner nozzle.

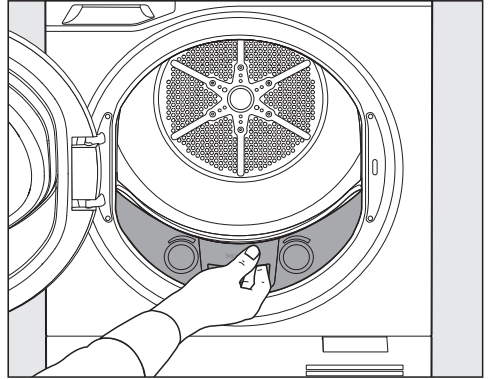
**Useful tip:** A stubborn build-up of fluff can be removed with a damp cloth and a small amount of soapy water. Dry with a soft cleaning cloth.

## Inserting the lower fluff filter



- Push the fluff filter all the way in.

## Inserting the upper fluff filter



- Push the fluff filter all the way in.
- Close the tumble dryer door.

⚠ Damage due to damaged fluff filters.

The heat exchanger becomes blocked and damage may occur.

Check the fluff filters on a regular basis. Replace the fluff filters if they are defective.

Faults caused by wet fluff filters.

Wet fluff filters could cause operational faults while drying.

Carefully dry the fluff filters.

## Cleaning the fluff filter in the condensate container

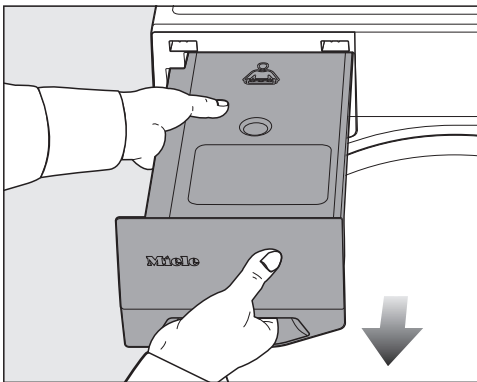
If the spray jet does not work, the fluff filter in the condensate container may be blocked.

## Problem solving guide

### Pulling out the condensate container

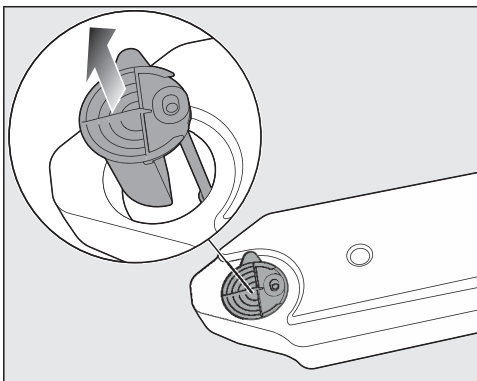
⚠ Damage to the dryer door and the condensate container.

Damage and scratches may occur. First close the dryer door and then pull out the condensate container.

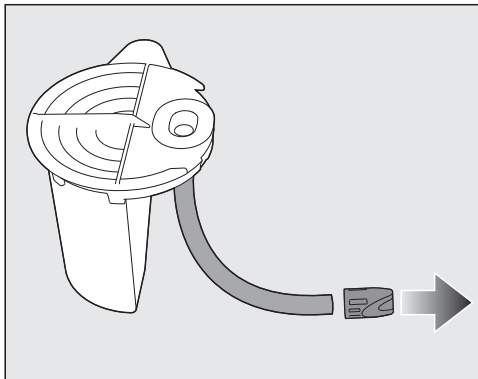


- To pull out the condensate container, keep a firm hold on the fascia panel and in the centre.
- To prevent condensed water from leaking, carry the condensate container horizontally.

### Cleaning the filter plug



- Place your finger under the side lug of the pouring aid.
- Pull out the pouring aid.



- Hold the hose firmly.

The hose may come loose. Do not pull on the hose.

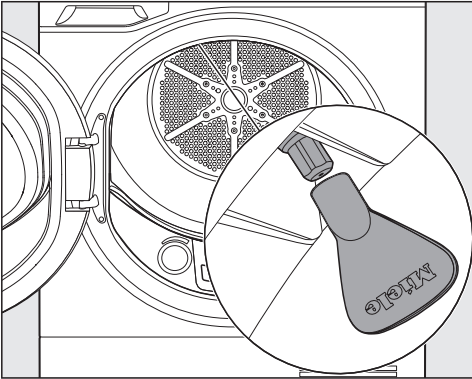
- Use your other hand to pull the filter plug off the end of the hose.
- Rinse the filter plug with a water jet until all the fluff has been removed.
- Attach the clean filter plug to the end of the hose.
- Insert the pouring aid the right way round into the opening in the condensate container and allow the hose to slide back into the condensate container.

### Replacing the nozzle for SteamCare

If the spray jet does not work, the nozzle for SteamCare may be blocked.

**Useful tip:** You must replace the nozzle for SteamCare (optional accessory) when it no longer works properly. A special tool is required for replacing, which is included with the new nozzle.

The nozzle for SteamCare is located at the top left of the door opening.



- Attach the tool to the nozzle.

**⚠** Using the wrong tool can cause damage.

The nozzle and the tumble dryer may be damaged.

Only use the tool supplied. Do not use any other tool.

- To unscrew the nozzle, turn the tool anti-clockwise.
- Insert the new nozzle into the tool.
- To screw in the nozzle, turn the tool clockwise by hand.

The tumble dryer must not be operated without a nozzle for SteamCare fitted.

Proper functioning is no longer guaranteed.

## Service

You can find information on how to remedy faults yourself at [www.miele.com.au/support/customer-assistance](http://www.miele.com.au/support/customer-assistance) or [www.miele.co.nz/support/customer-assistance](http://www.miele.co.nz/support/customer-assistance) and about Miele spare parts at [www.miele.com.au/service](http://www.miele.com.au/service) or [www.miele.co.nz/service](http://www.miele.co.nz/service).

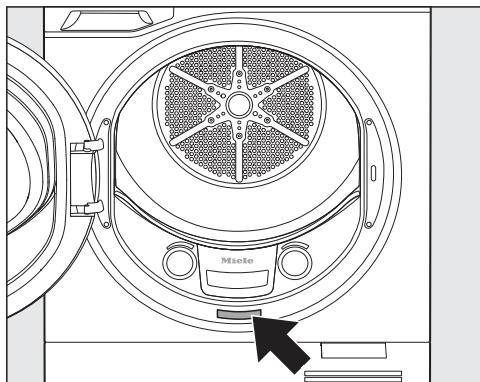
### Contact in case of fault

In the event of any faults which you cannot remedy yourself, please contact Miele.

You can book a Miele customer service call-out online at [www.miele.com.au/service](http://www.miele.com.au/service) or [www.miele.co.nz/service](http://www.miele.co.nz/service). Contact information for Miele can be found at the end of this booklet.

Please quote the model and serial number of your appliance when contacting Miele. This information can be found on the data plate.

Open the door of your tumble dryer to find the data plate:



### Warranty

The manufacturer's warranty for this appliance is 2 years.

For further information, please refer to your warranty booklet.

### Optional accessories

For a complete overview, visit the Miele website.

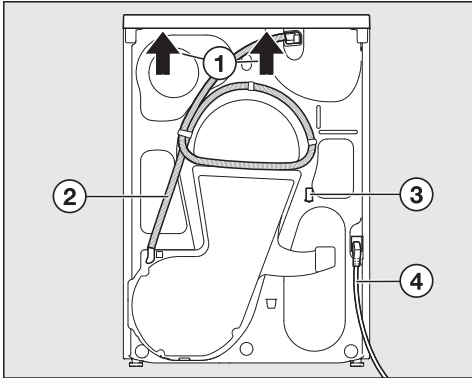
#### Drying basket, drainage accessories, stacking kit, plinth

Accessories for this tumble dryer are available to order from Miele Customer Service or via the Miele online shop.

#### Fragrance flacon

Products specially tailored to your tumble dryer such as fragrance flacons are available to order from Miele Customer Service or via the Miele online shop.

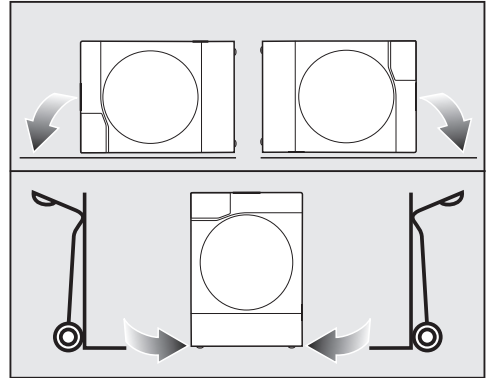
## Rear view



- ① Protruding lid for holding when moving the appliance (see arrows)
- ② Drain hose for condensed water
- ③ Hook for winding the power supply cord around during transport
- ④ Power supply cord

## Transporting the tumble dryer

**⚠** Danger of injury to people and damage to property caused by moving the appliance incorrectly. If the tumble dryer tips over, there is a danger of injury to people and damage to property. Ensure that the tumble dryer is stable during transportation.



- Only transport the tumble dryer with the left or right side panel:
  - lying horizontally (e.g. in a car) or
  - upright on a hand trolley

## Transporting the tumble dryer to the installation site

- Carry the tumble dryer by the front feet and by the lid where it protrudes at the back of the appliance.

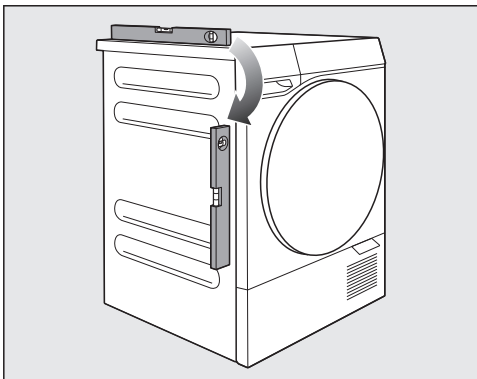
## Draining condensed water before moving

A residual amount of condensed water may run out of the tumble dryer during transport (e.g. when moving house).

- To remove condensed water, start a programme for approx. 1 minute before transporting the dryer. Any remaining condensed water will then be fed into the condensed water container (which you will need to empty again) or out through the drain hose.

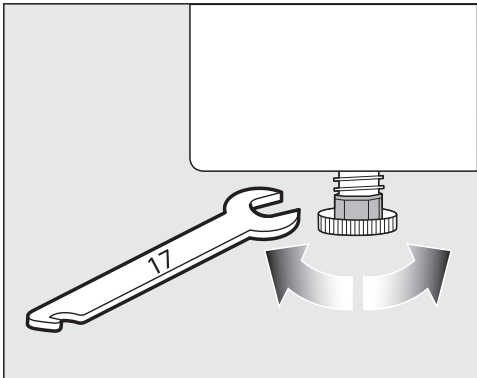
# Installation

## Levelling the tumble dryer



The tumble dryer must stand perfectly level to ensure safe and proper operation.


The screw feet on the tumble dryer can be adjusted to compensate for unevenness in the floor.



- Turn the screw feet on the tumble dryer by hand or with a flat spanner.

## Additional installation requirements

### Room doors and furniture doors

 Danger if the dryer door cannot be fully opened.

Reliable operation of the tumble dryer is not guaranteed.

The tumble dryer must not be installed in places where doors prevent the dryer door from being fully opened.

The appliance must not be installed behind a lockable door, a sliding door or a door with a hinge on the opposite side to that of the tumble dryer, in such a way that a full opening of the tumble dryer door is restricted.

### Accessing the socket


 Risk of electric shock.

Personal injury and damage may occur.

The socket must be easily accessible so that the tumble dryer can be quickly disconnected from the mains if necessary.

## Safety precautions against fire



 Risk of fire and explosion due to damage to the tumble dryer.

The refrigerant is flammable and explosive.


Do not make any alterations to the tumble dryer. Take measures to protect the tumble dryer against damage.

If the tumble dryer is damaged, proceed as follows:

- Avoid naked flames or anything which creates a spark.
- Disconnect the tumble dryer from the electricity supply.
- Air the room where the tumble dryer is located.
- Contact Miele Customer Service.

## Ventilation for the tumble dryer

The tumble dryer generates heat during operation, which must be dissipated. Ensure sufficient ventilation of the room (e.g. open the window).

 Fault due to insufficient cooling of the tumble dryer.

The drying time and energy requirements of the tumble dryer increase and the programme may be cancelled.

The cool air vent in the plinth flap must not be covered, e.g. by a laundry basket.


Do not block the gap between the bottom of the tumble dryer and the floor with plinth facings, deep pile carpet or other similar products.

# Installation

---

## Slot-in or wall unit installation

The tumble dryer is suitable for pushing under a worktop (min. 850 mm high niche). Installation is also possible in a wall unit. The drying time may increase in the case of this type of installation. The appliance lid cannot be removed.

 **Fault due to obstructed vent.**  
The drying time and energy requirements of the tumble dryer increase and the programme may be cancelled.  
Prevent heat from building up excessively by dissipating it appropriately.

### Preventing excessive heat build-up

You can reduce excessive heat build-up by taking certain measures.

- Unscrew the screw feet on the tumble dryer slightly so that the gap between the floor and the bottom of the tumble dryer is at least 20 mm.
- Create a gap for the dryer in a continuous kitchen furniture plinth panel.
- When installing in a wall unit, make openings in the wall unit (install a ventilation grille).

## Washer-dryer stack

This tumble dryer can be installed as a washer-dryer stack together with a Miele washing machine. A stacking kit (optional accessory) is available to order from Miele Customer Service or via the Miele online shop.

Only the required Miele washer-dryer stacking kit may be used.

With stacked installation, the proximity sensor (MotionReact) in the tumble dryer may be limited. This is not a fault.


## Plinth

A plinth with drawer (optional accessory) is available for this tumble dryer from Miele Customer Service or via the Miele online shop.

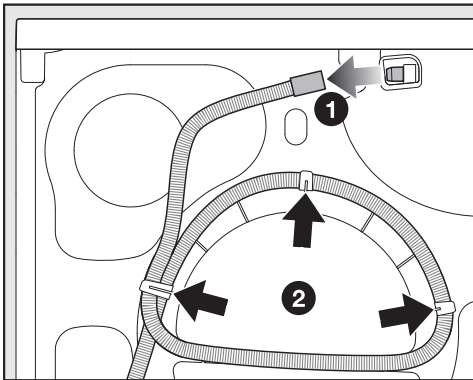
The plinth must be purchased as a pair and secured to the second plinth supporting another tumble dryer or washing machine.

## External condensed water connection

### Preparing the drain hose

 **Damage to the drain hose through incorrect handling.**  
 The drain hose can suffer damage and condensed water can leak.  
 Do not pull on the drain hose and do not stretch it or allow it to become kinked.

Have a container ready. There will be a small amount of water in the drain hose from the final test at Miele.



- ❶ Pull off the drain hose.
  - ❷ Pull the drain hose out of the clips.
- Unwind the drain hose.
  - Allow any residual water to run into a container.

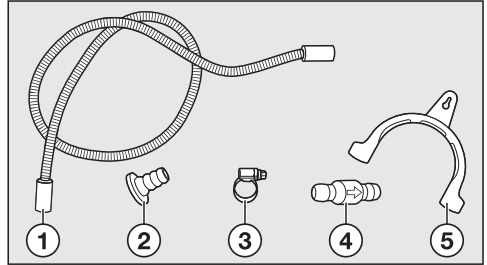
Hose length:	1.49 m
Maximum delivery head:	1.00 m
Maximum drainage length:	4.00 m

### Optional accessories for drainage

Accessories are available to order from Miele Customer Service or via the Miele online shop

### Drainage accessories

**Useful tip:** You can purchase additional accessories for extended connections.



- ❶ Hose extension\*\*
- ❷ Adapter\*
- ❸ Hose clip\*
- ❹ Non-return valve\*\*
- ❺ Hose holder\*

\* Supplied with the tumble dryer

\*\* Must be purchased: non-return valve kit for external water connection, including non-return valve, hose extension (approx. 0.6 m long), 2 hose clips

# Installation

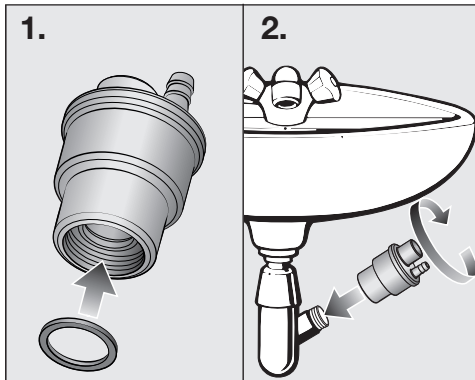
---

## Adapter for drainage

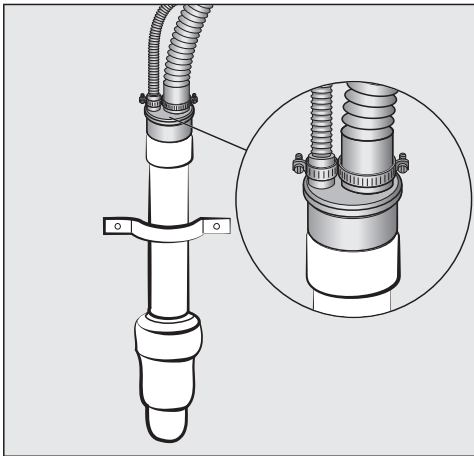
Miele offers an adapter for washing machines and tumble dryers as an optional accessory. A non-return valve is integrated for the tumble dryer. Note: The adapter is only available in selected countries.

The adapter can be used:

- for a sink drain outlet



- for plastic pipe DN 40/DN 50



## Installation conditions with non-return valve

⚠ Damage if the end of the hose is immersed in water.

Back-flow water could damage the tumble dryer and also the room in which it is located.

Always use the non-return valve when installing on all water-bearing connections.

Installation conditions for which the non-return valve must be used:

- draining into a sink
- draining into a floor drain (gully)
- connection to a sink drain outlet
- connection to a drainage system already in use by another appliance, e.g. a dishwasher or washing machine

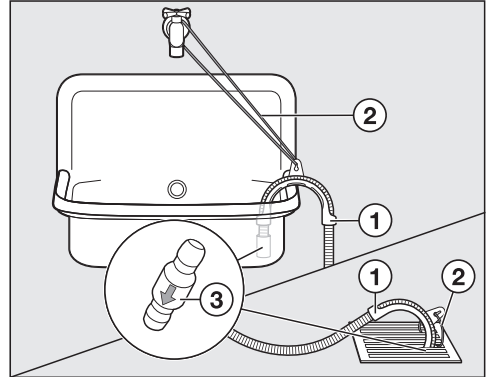
Fault caused by incorrect installation of the non-return valve.

If installed incorrectly, drainage is not possible and the programme is cancelled.

The arrow on the non-return valve must point in the direction of flow after installation.

## Installing a simple drain

You can drain the condensed water into a sink or floor drain (gully), for example.



- Use the hose holder ①.
- Attach the hose holder with a cord ②.

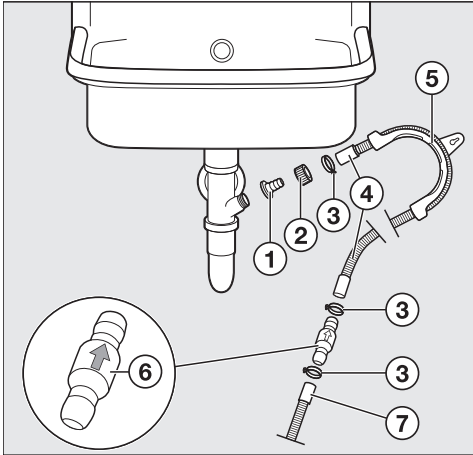
Recommendation: fit the non-return valve ③ into the end of the hose.

⚠ Risk of damage from leaking water.

If the drain hose comes loose, overflowing water can cause damage. Secure the drain hose carefully (e.g. by tying it) to make sure it cannot slip.

# Installation

## Connecting the drain to a sink drain outlet



- ① Adapter
- ② Washbasin nut
- ③ Hose clips
- ④ Hose extension
- ⑤ Hose holder
- ⑥ Non-return valve
- ⑦ Drain hose, tumble dryer

- Fit the adapter ① to the sink drain outlet using the nut ②.


If the washbasin nut has a spacer in it, the spacer must be taken out first.

- Attach the end of the hose extension ④ to the adapter ①.
- Use a screwdriver to tighten the hose clip ③ up close to the nut.
- Use the hose holder ⑤.
- Connect the hose extension ④ with the non-return valve ⑥ to the drain hose ⑦ of the tumble dryer.
- Secure the non-return valve ⑥ using hose clips ③.

## Electrical connection

The tumble dryer is supplied with a mains cable with moulded plug ready for connection to a socket.

The socket should be easily accessible after the tumble dryer has been installed. If the socket is not easily accessible, ensure that a suitable means of disconnection is provided on the installation side for each pole.

 Risk of fire from overheating. Connecting the tumble dryer to a multi-socket plug adapter or to an extension lead can overload the cable. For safety reasons, do not use an extension cable or multi-socket adapter.

All electrical work must be carried out by a suitably qualified and competent person in strict accordance with national and local safety regulations.


For safety reasons, we recommend using a suitable residual current device (RCD) in the relevant electrical installation for connecting the tumble dryer.

If the mains connection cable is damaged, it must only be replaced with a specific mains connection cable of the same type (available from Miele). For safety reasons, such replacement may only be carried out by a suitably qualified and competent electrician or a Miele authorised service technician, in order to avoid a hazard.

The data plate indicates the nominal power consumption and the connection data. Compare this information with the data of the on-site electrical connection. If in any doubt, consult a qualified electrician.

Temporary or permanent operation with a self-sufficient or non-mains synchronous energy supply system (e.g. isolated networks, back-up systems) is possible. A requirement for the operation is that the energy supply system complies with all current local and national requirements that apply to stand-alone, solar and/or battery systems.

The protective measures provided in the domestic installation and in this Miele product must also be assured in their function and operation in isolated operation or in non-mains synchronous operation, or replaced with equivalent measures in the installation.

 Damage caused by operating the dryer too soon after installation or reinstallation, e.g. after moving. The heat pump may be damaged. You can switch on and network the tumble dryer. However, to avoid possible damage, only start a drying programme after one hour has elapsed.

# Installation

---

## Technical data

Height	850 mm
Height-adjustable	845–855 mm
Width	596 mm
Depth	643 mm
Depth with dryer door open	1110 mm
Suitable for pushing under a worktop	Yes
Stackable	Yes
Height/width/depth for building under	850/600/600 mm
Weight	55 kg
Drum volume	120 l
Load capacity	9 kg (weight of dry laundry)
Condensate container, volume	4.2 l
Drain hose, length	1.49 m
Maximum delivery head	1.00 m
Maximum drainage length	4.00 m
Power supply cord, length	2.00 m
Electrical voltage	See data plate
Electrical power rating	See data plate
Electrical fuse rating	See data plate
Refrigerant and global warming potential	See data plate
Test certifications awarded	See data plate
Energy consumption	See “Consumption data”
LEDs	Class 1
Frequency range	2.4000–2.4835 GHz
Maximum transmission power	< 100 mW

**Miele Australia Pty. Ltd.**

ACN 005 635 398

ABN 96 005 635 398

Level 4, 141 Camberwell Road  
Hawthorn East, VIC 3123

**1300 464 353 (1300 4 MIELE)**

**info@miele.com.au**

**www.miele.com.au**

**Miele New Zealand Limited**

IRD 98 463 631

8 College Hill  
Freemans Bay, Auckland 1011

**0800 464 353 (0800 4 MIELE)**

**customercare@miele.co.nz**

**www.miele.co.nz**

**Miele Global Headquarters**

**Germany**

**Miele & Cie. KG**

Carl-Miele-Straße 29

33332 Gütersloh

Federal Republic of Germany

TQ 1000 WP

en-AU, NZ

M.-Nr. 12 701 000 / 00