

WEA125 WCS 8 kg Active W1 front loader washing machine.



- Tested for 20 years of perfect laundry care*
- Save energy with a 4.5 Star energy rating
- Exclusive CapDosing range for different fabrics and stains**
- Our honeycomb drum ensures that laundry stays in perfect condition
- Add or remove individual items during the wash cycle with AddLoad

* During the development phase of the W1 washing machine series, Miele tested models and core components in 5000 wash loads (= 5 wash loads per week for 50 weeks per year) in various programmes. More: miele.com/20years

**Patent EP 2 365 120

EAN: 4002516863410 / Material number: 12704840

Construction type	
Appliance colour	Lotus white
Suitable for stacking	•
Door hinging	Right
Built-in	•
Can be built-under	•
Spinning	
Max. spin speed	1400
Design	
Door design	Graphite Grey PearlFinish
Control panel version	Straight
Display	EasyControl yellow
Convenience features	
Networking with Miele@home	–
Delay start up to 24 hours	•
Time of day display	–
Drum lighting	–
AddLoad	•
Efficiency and sustainability	
Energy / WELS Star Rating	4.5 / 4.5
WELS Details	67 L / wash ECO 40-60
Registration Details Energy / WELS	ACW1530 / C02414
EcoFeedback	–
ProfiEco motor	•
Wash programmes	
QuickPowerWash	–
Shirts	–
Silk (hand-washable)	–
Woollens (hand-washable)	•
Express 20	•
Outerwear	•
Proofing	•
Sportswear	–
Down	–
Cottons hygiene	–
Washing extras	
SingleWash	–
Short	•
Soak	•
Pre-wash	–
Water plus	•
Extra quiet	–
Pre-ironing with steam	–
Buzzer	–
AllergoWash	–

WEA125 WCS 8 kg Active
W1 front loader washing machine.



EAN: 4002516863410 / Material number: 12704840

Safety

Water protection system	Watercontrol-System
-------------------------	---------------------

Technical data

Dimensions (H x W x D) in mm	850 x 596 x 636
------------------------------	-----------------

Appliance depth in mm with opened door	1054
--	------

Appliance depth w/o door in mm	600
--------------------------------	-----

Accessories supplied

3 caps	–
--------	---

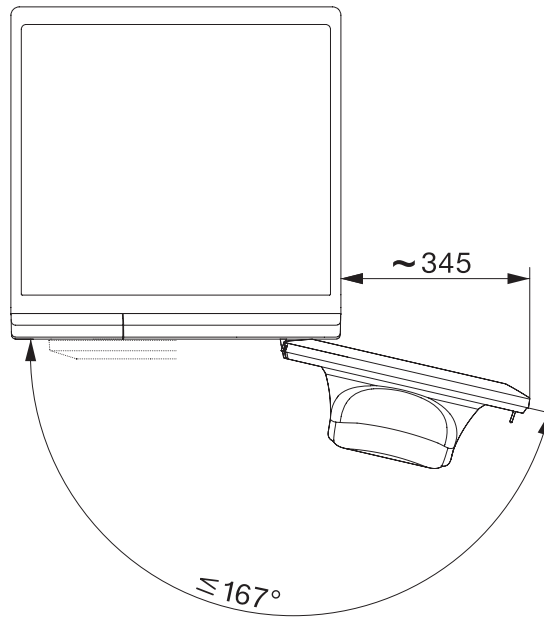
UltraPhase 1 + 2	–
------------------	---

Voucher for Miele detergent	–
-----------------------------	---

Voucher for Miele UltraPhase	–
------------------------------	---



WEA125 WCS Installation diagrams



W1 drawing, slanted fascia or straight fascia,
measures in mm