

## Operating instructions Washing machine



To avoid the risk of accidents or damage to the appliance, it is **essential** to read these instructions before it is installed and used for the first time.

# Contents

---

<b>Warning and Safety instructions</b> .....	<b>6</b>
<b>Sustainability and environmental protection</b> .....	<b>11</b>
Optimum use of energy and water .....	12
Drying in the tumble dryer .....	12
Sound reduction .....	12
Using detergents .....	12
<b>Familiarising yourself with the appliance</b> .....	<b>13</b>
Your washing machine .....	13
Control panel.....	14
Main menu in the display .....	14
Symbols in the display.....	15
Operating principles.....	15
Network connection .....	16
Proximity sensor/MotionReact .....	16
ComfortOpen.....	17
AmbientLight.....	17
CapDosing.....	17
TwinDos .....	17
TwinDos cartridge detection.....	18
PowerWash .....	18
FlexLoad .....	18
Optional accessories .....	18
<b>Commissioning</b> .....	<b>19</b>
Requirements for networking .....	19
Commissioning procedure .....	19
<b>Operation</b> .....	<b>20</b>
Operating sequence.....	20
On the washing machine .....	20
Via the App .....	20
Preparing the laundry.....	21
Switching on the washing machine .....	21
Loading the laundry .....	21
Selecting a programme .....	22
Setting programme parameters .....	22
Starting a programme.....	23
At the end of the programme .....	23
Special points for operation via App.....	24
Loading the laundry .....	24
Selecting and starting a programme via the App.....	24
Delay start .....	24
Add laundry (AddLoad).....	25

Programme modifications after starting the programme .....	25
Cancelling a programme.....	25
Interrupting a programme.....	25
♥ Favourite programmes.....	25
Using TwinDos.....	26
Detergent dispensing quantity entered for TwinDos.....	26
Replacing the TwinDos cartridge .....	27
Using the dispenser drawer.....	29
CapDosing.....	30
<b>Programmes .....</b>	<b>31</b>
Programme chart.....	31
Programme sequence.....	41
Extras.....	42
Short.....	42
Pre-ironing .....	42
SingleWash.....	42
Stains.....	42
Save energy .....	42
Rinse plus.....	42
Extra quiet.....	42
Hygiene plus .....	42
Pre-wash.....	42
Soak .....	42
Rinse hold .....	42
Detergent recommendations .....	43
Consumption data.....	44
<b>Good to know.....</b>	<b>45</b>
Preparing the laundry for washing .....	45
Care label.....	46
Detergent.....	47
Spinning.....	49
<b>Adjusting settings .....</b>	<b>50</b>
⚙ Settings: Overview .....	50
General.....	52
Software update .....	52
Security .....	52
Proximity sensor .....	52
Factory default settings .....	52
Networking.....	52
Wi-Fi .....	52
Connection .....	53
Remote control .....	53

# Contents

---

Appliance functions .....	53
TwinDos .....	53
Water inlet .....	54
Memory.....	54
ComfortOpen .....	54
Allergy.....	54
Soak.....	54
Rinse plus.....	54
Temperature reduction.....	55
Suds cooling.....	55
Low water pressure .....	55
Anti-crease .....	55
Water hardness.....	55
Lighting.....	55
Service.....	56
Information .....	56
Software.....	56
Legal information .....	56
Consumption.....	56
Operating hours .....	56
<b>Cleaning and care .....</b>	<b>57</b>
Cleaning the casing, drum and control panel.....	57
Cleaning the dispenser drawer.....	57
Cleaning the water intake filter.....	59
Cleaning the TwinDos system.....	60
Cleaning the drum/Hygiene in the washing machine .....	60
<b>Problem solving guide.....</b>	<b>61</b>
The display does not switch on automatically – it is not possible to select a programme.....	61
Door does not open or close .....	62
Water intake or drainage .....	62
Fault messages and information in the display.....	63
Fault messages and problems with TwinDos.....	64
Hygiene in the washing machine .....	64
Problems with the dispenser drawer.....	65
Poor wash results.....	66
Noises and various other problems.....	67
Draining the suds solution in the event of a fault .....	68
Remove the plinth flap.....	68
Draining the suds .....	69
Cleaning the pumps and drain filters.....	70
Fitting the plinth flap.....	71

Cleaning the nozzle at the top of the sealing ring.....	71
Operating the emergency release.....	72
<b>Service.....</b>	<b>73</b>
Contact in case of fault.....	73
Warranty .....	73
<b>Installation.....</b>	<b>74</b>
Rear view .....	74
Transporting the washing machine.....	75
Transporting the washing machine to its installation surface .....	75
Requirements for the installation surface for the washing machine .....	75
Removing the transit bars .....	76
Fitting the transit bars .....	77
Aligning the washing machine.....	77
Additional installation requirements.....	78
The Miele water protection system.....	79
Water inlet.....	81
Hot water .....	81
Connecting water inlet hoses .....	81
Drainage.....	82
Electrical connection .....	85
Technical data .....	86

## Warning and Safety instructions

---

This washing machine complies with all current local and national safety requirements. However, inappropriate use can lead to personal injury and damage to property.

Read the operating instructions carefully before using the washing machine. They contain important information on safety, installation, use and maintenance of the appliance. This prevents both personal injury and damage to the washing machine.

In accordance with standard IEC 60335-1, Miele expressly and strongly advises that you read and follow the instructions in “Installation”, as well as in the “Warning and Safety instructions”.

Miele cannot be held liable for injury or damage caused by non-compliance with these instructions.

Keep these operating instructions in a safe place and pass them on to any future owner.

### Correct application

- ▶ This washing machine is designed for domestic use and for use in similar environments by guests in hotel or motel rooms, bed & breakfasts and other typical living quarters. This does not include common/shared facilities or commercial facilities within hotels, motels or bed & breakfasts.
- ▶ The washing machine is not suitable for outdoor use.
- ▶ It must only be used to wash garments which have been declared suitable for washing by the manufacturer indicated on the garment care label. Any other use is not permitted. Miele cannot be held liable for damage resulting from incorrect or improper use or operation.
- ▶ This washing machine is not intended for use by persons (including children) with reduced physical, sensory or mental capabilities, or lack of experience and knowledge, unless they have been given supervision or instruction concerning its use by a person responsible for their safety.
- ▶ The washing machine is intended for use at altitudes of up to 4000 m above sea level.

### Safety with children

- ▶ Young children must not be allowed to use this appliance.
- ▶ Cleaning work may only be carried out by older children under the supervision of an adult.

## Warning and Safety instructions

---

- ▶ Older children may only use the appliance when its operation has been clearly explained to them and they are able to use it safely, recognising the dangers of misuse.
- ▶ Please supervise children in the vicinity of the washing machine and do not let them play with it.

### Technical safety

- ▶ Follow the instructions in “Installation” and “Technical data”.
- ▶ Before setting up the washing machine, check it for any externally visible damage. Do not install or use a damaged machine.
- ▶ Before connecting the washing machine, ensure that the connection data on the data plate (fuse rating, voltage and frequency) matches the mains electricity supply. If in any doubt, consult a qualified electrician.
- ▶ The electrical safety of this washing machine can only be guaranteed when continuity is complete between it and an effective earthing system which complies with current local and national safety regulations. It is most important that this basic safety requirement is present and regularly tested and, where there is any doubt, the household wiring system should be inspected by a qualified electrician. Miele cannot be held liable for the consequences of an inadequate earthing system (e.g. electric shock).
- ▶ Do not connect the washing machine to the mains electricity supply by a multi-socket adapter, extension lead or similar. These do not guarantee the required safety of the machine (fire hazard due to the risk of overheating).
- ▶ Faulty components must only be replaced by genuine Miele spare parts. Miele can only guarantee the safety of the appliance when Miele replacement parts are used.
- ▶ The electrical socket must be easily accessible after installation so that the machine can be disconnected from the electricity supply if necessary.
- ▶ If the connection cable is faulty, it must only be replaced by a Miele approved service technician to protect the user from danger.
- ▶ The manufacturer's warranty will be invalidated if the appliance is not repaired by a Miele approved service technician.

## Warning and Safety instructions

---

- ▶ Unauthorised repairs could result in unforeseen dangers for the user, for which Miele cannot accept liability. Repairs should only be undertaken by a Miele authorised service technician, otherwise any subsequent damage will not be covered by the warranty.
- ▶ This washing machine must not be installed and operated in mobile installations (e.g. on a ship).
- ▶ Do not make any alterations to the machine, unless authorised to do so by Miele.
- ▶ In the event of a fault or for cleaning purposes, the washing machine is only completely isolated from the electricity supply when:
  - it is switched off at the wall socket and the plug is withdrawn, or
  - it is switched off at the mains circuit breaker.
- ▶ The Miele Waterproof system protects from water damage provided the following conditions have been met:
  - The machine is correctly plumbed in and connected to the electricity supply.
  - If a fault or damage has been identified, the machine must be examined by a competent person before further use, and repaired if necessary.
- ▶ The water flow pressure must be at least 100 kPa and must not exceed 1000 kPa.
- ▶ Temporary or permanent operation with a self-sufficient or non-mains synchronous energy supply system (e.g. isolated networks, back-up systems) is possible. A requirement for the operation is that the energy supply system complies with all current local and national requirements that apply to stand-alone, solar and/or battery systems. The protective measures provided in the installation and in this Miele product must also be assured in their function and operation in isolated operation or in non-mains synchronous operation, or replaced with equivalent measures in the installation.
- ▶ This washing machine is supplied with a special lamp to cope with particular conditions (e.g. temperature, moisture, chemical resistance, abrasion resistance and vibration). This lamp must only be used for the purpose for which it is intended. The lamp is not suitable for room lighting. Replacement lamps may only be fitted by a qualified electrician or a Miele authorised technician. This washing machine contains 1 light source corresponding to energy efficiency rating E.

## Warning and Safety instructions

---

▶ In areas which may be subject to infestation by cockroaches or other vermin, pay particular attention to keeping the machine and its surroundings in a clean condition at all times. Any damage which may be caused by cockroaches or other vermin will not be covered by the machine warranty.

### Correct use

▶ Do not install the washing machine in a room where there is a risk of frost. Frozen hoses may burst or split. The reliability of the electronic control unit may be impaired at temperatures below freezing point.

▶ Before using the machine for the first time, check that the transit bars at the rear of the machine have been removed (see “Installation - Removing the transit bars”). During spinning, a transit bar which is still in place may result in damage to both the machine and adjacent furniture or appliances.

▶ Turn off the tap if the machine is to be left for any length of time (e.g. holiday), especially if there is no floor drain (gully) in the immediate vicinity.

▶ Flooding danger.

If hooking the drain hose into a laundry washtub, check that the water can drain off quickly enough to prevent the laundry tub from overflowing. Make sure the drain hose is secure, so that the force of the water flowing out of the hose does not dislodge it.

▶ Take care to ensure that foreign objects (e.g. nails, pins, coins, paper clips) do not find their way into the machine with the laundry. These may damage components of the machine (e.g. suds container, drum), which in turn can result in damage to the laundry.

▶ Take care when opening the drum door after using the steam function. There is a danger of burning due to escaping steam and the high temperature of the surface of the drum as well as the porthole glass. Stand back away from the machine and wait until the steam has dissipated.

▶ The maximum load for this washing machine is 10.0 kg (dry weight). See the “Programme chart” for the maximum recommended loads for individual programmes.

▶ Do not use solvent based cleaning agents, e.g. those containing benzene, in this machine, as this may result in damage to component parts and create toxic fumes. Such agents also pose a fire and explosion hazard.

## Warning and Safety instructions

---

- ▶ Textiles which have been pre-treated in solvent based cleaning agents must be thoroughly rinsed in clean water before being washed in the machine.
- ▶ If the correct amount of detergent is dispensed, the machine should not need to be descaled. If, however, you do wish to descale it, only use a proprietary natural citric acid based descaling agent. Miele recommends using Miele descaler for washing machines which is available to order online at [shop.miele.com](http://shop.miele.com) (depending on country) or from Miele. Strictly observe the instructions on the packaging.
- ▶ Do not use solvent based cleaning agents, e.g. those containing benzene, to clean the external surfaces of the machine. They can cause damage to plastic surfaces.
- ▶ Only use dyes specified by the manufacturer as being suitable for use in a domestic washing machine. Always observe the manufacturer's instructions carefully.
- ▶ Colour run and dye removers contain sulphur compounds which can cause damage such as corrosion. Do not use these products in this machine.
- ▶ If detergent comes into contact with the eyes, rinse them thoroughly with lukewarm water immediately. If swallowed, seek medical assistance immediately and retain the packaging or label for reference. Those with skin problems or sensitive skin should avoid their skin coming into contact with detergent.

### Accessories and spare parts

- ▶ Only use original Miele accessories and spare parts. If other parts are used, warranty, performance and product liability claims will be invalidated.
- ▶ A Miele tumble dryer can be stacked on top of a Miele washing machine using the appropriate stacking kit (available as an optional accessory). Please make sure you order the correct one for the Miele washing machine and Miele tumble dryer.
- ▶ Miele will guarantee to supply functional spare parts for a minimum of 10 years and up to 15 years following the discontinuation of your washing machine.

Miele cannot be held liable for damage caused by non-compliance with these Warning and Safety instructions.

# Sustainability and environmental protection

---

## Disposal of the packing material

The transport and protective packaging has been selected from materials which are environmentally friendly for disposal, and can normally be recycled.

Recycling the packaging reduces the use of raw materials in the manufacturing process and also reduces the amount of waste in landfill sites.

Ensure that any plastic wrappings, bags etc. are disposed of safely and kept out of the reach of babies and young children. Danger of suffocation.

**Only for Australia:** Note for installer: Expanded polystyrene (EPS) packaging included. Please retain and dispose of EPS packaging responsibly. For further information, please contact Miele.

## Disposing of your old appliance

Electrical and electronic appliances often contain valuable materials. They also contain specific materials, compounds and components, which were essential for their correct function and safety. These could be hazardous to human health and to the environment if disposed of with your domestic waste or if handled incorrectly. Please do not, therefore, dispose of your old appliance with your household waste.



Please dispose of it at your local community waste collection / recycling centre for electrical and electronic appliances. You are also responsible for deleting any personal data that may be stored on the appliance prior to disposal. Please ensure that your old appliance poses no risk to children while being stored prior to disposal.

# Sustainability and environmental protection

---

## Optimum use of energy and water

Wash with the maximum load size for the programme in question. This achieves the most efficient use of energy and electricity.

Programmes that are more efficient with regard to energy and water consumption generally have a longer programme running time. By extending the programme running time, the wash temperature can be reduced while still providing the same wash results.

If, for example, the *ECO 40-60* and *Cottons 40 °C* or *60 °C* programmes are compared with each other, the *ECO 40-60* programme is more efficient in terms of energy and water consumption. However, the programme running time of the *ECO 40-60* programme is longer than that of the *Cottons 40 °C* or *60 °C* programme.

Modern detergents make it possible to wash at lower temperatures (e.g. 20 °C). Using lower temperature settings will save energy.

Use the *Express 20* programme for small, lightly soiled loads.

## Drying in the tumble dryer

The spin speed selected affects the residual moisture in the laundry. The higher the spin speed, the lower the residual moisture in the laundry.

Select the highest possible spin speed for the programme to save energy in the subsequent tumble dryer cycle.

## Sound reduction

The spin speed selected affects the sound emissions of the washing machine. The higher the spin speed, the greater the sound emissions of the washing machine.

Move the final spin of the washing machine outside of quiet periods and/or use the *Extra quiet Extra*.

## Using detergents

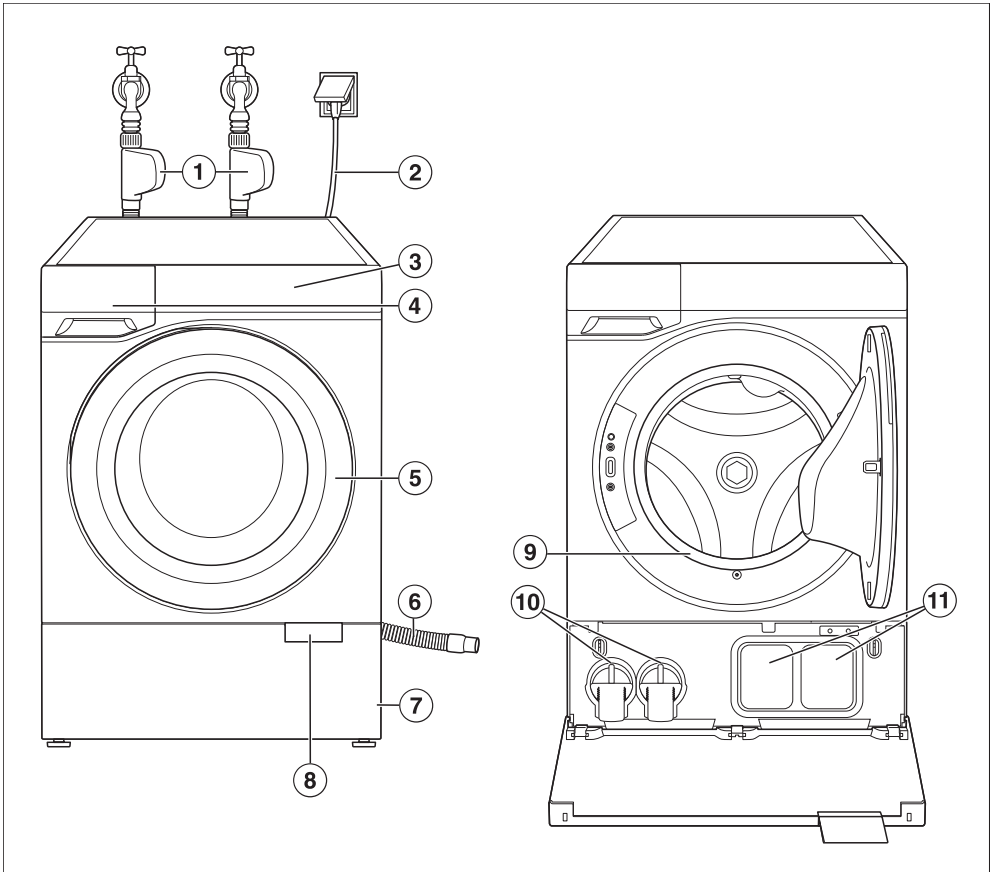
Use the TwinDos system for exact dispensing.

Adjust any manual dosage to the degree of soiling of the laundry.

Do not exceed the amounts of detergent recommended by the manufacturer on the packaging.

# Familiarising yourself with the appliance

## Your washing machine

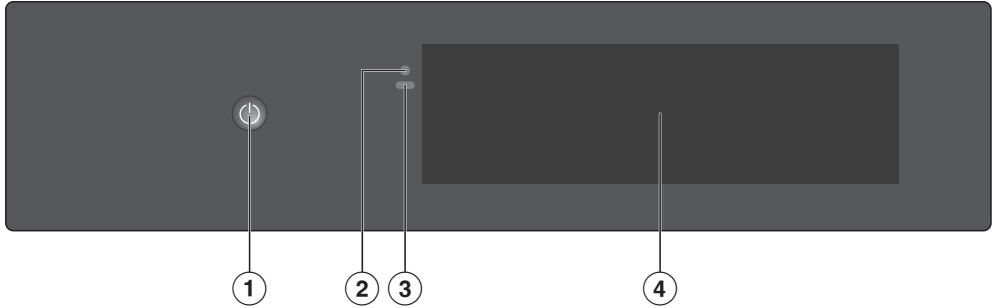



- ① Waterproof system inlet hoses for cold mains water and hot water
- ② Electrical connection
- ③ Control panel
- ④ Detergent dispenser drawer
- ⑤ Door
- ⑥ Drain hose
- ⑦ Plinth flap
- ⑧ Opening tab
- ⑨ Sealing ring
- ⑩ Drain filters
- ⑪ TwinDos

# Familiarising yourself with the appliance

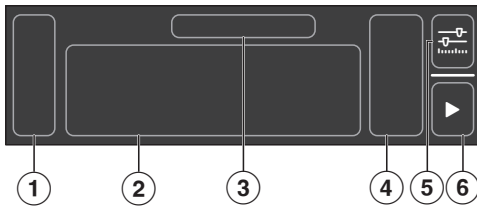
---

## Control panel



- ① On/Off  sensor
- ② Optical interface  
(for Customer Service)
- ③ Proximity sensor (MotionReact)
- ④ Display

## Main menu in the display






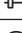
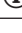













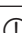
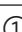

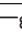




- ① Sidebar
- ② Programmes
- ③ Name of the highlighted programme
- ④ Parameters for the programme
- ⑤ Further parameters
- ⑥ Start

# Familiarising yourself with the appliance

## Symbols in the display

Various symbols are used in the display.

	Menu
	Programmes
	Favourite programmes
	Remote control Networking
	Further parameters
	Information
	Close window
	Back
	Settings
	Next step
	Start
	Stop
	Pause
	Sounds
	System lock
	Maintenance
	Download
	Delete
	Wi-Fi
	Search
	Note
	TwinDos compartment 1
	TwinDos compartment 2
	Capsule with detergent
	Capsule with care product
	Capsule with additive

## Operating principles

### Switching the washing machine on or off

The  *On/Off* sensor is recessed.

- Press  *On/Off* until the washing machine switches on or off.

**Useful tip:** With MotionReact, the washing machine is automatically switched on when you approach it.

### Navigating the display



The display can be scratched by pointed or sharp objects, e.g. pens. Only touch the display with your fingertips.

- Swipe your finger in the required direction in the display.
- To select a menu option, press the required menu option or symbol.

The menu option is highlighted.

### Exiting a menu level


You are in a menu.

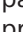
- Depending on the menu, select  *Close window* or  *Back*.

The higher-level menu is displayed.

### Selecting a programme

You are in the main menu.

- Swipe your finger across the display until the required programme is highlighted.
- If you want to start the programme with the parameters displayed, select  *Start*.

**Useful tip:** If you want to change the parameters, select the icon of the programme or  *Further parameters*.

# Familiarising yourself with the appliance

---

## Automatic safety lock

The washing machine has an automatic safety lock. The washing machine can only be started within 60 seconds of the last operational step on the control panel.

If the 60 seconds are exceeded, the ► *Start* sensor goes dark. The following question appears in the display: *Release safety lock?*. Confirm the question with *OK*.

You then have another 60 seconds in which to start the wash programme.

## **Adjusting parameters**

You can switch parameters on or off (e.g. Extras) or adjust them on a scale (e.g. the temperature).

## Switching parameters on or off

Activated parameters are highlighted in colour.

- Select the parameter you want to switch on or off.
- Confirm with ✓ *OK*.

The parameter is saved.

## Changing parameters on a scale

- Select the parameter you want to change.
- Move the scale to the left or right until the required value is highlighted.
- Confirm with ✓ *OK*.

The value is saved.

## **Displaying the context menu**

When you are in certain menus, a context menu can be displayed. This allows you to rename or move Favourites, for example.

- To open the context menu, press and hold a Favourite or select 😊 *Context menu*.
- Make the required change.
- To close the context menu, select ✕ *Close window*.

## **Network connection**

The washing machine is equipped with an integrated Wi-Fi module. The Wi-Fi module makes it possible to connect to your home Wi-Fi network and to use the Miele App on a mobile device.

Networking the washing machine allows you to do the following, among other things:

- receive information on the programme sequence and operating status
- operate your washing machine remotely
- download additional programmes
- keep your washing machine up to date with the latest Miele developments via software updates


Connecting your washing machine to your Wi-Fi network will increase energy consumption, even when the washing machine is switched off.

## **Proximity sensor/MotionReact**

The washing machine has a proximity sensor. The proximity sensor reacts to movement and detects when you approach the washing machine.

# Familiarising yourself with the appliance

Depending on the operating status of the washing machine, you can trigger various actions using the proximity sensor, including switching on the washing machine.

Under  **Settings** ▶ **General** ▶ **Proximity sensor**, you can adjust the settings for the proximity sensor to suit your personal requirements.

## ComfortOpen

A motorised mechanism opens the door when a hand approaches the door handle sensor.

The door opens a little automatically at the end of the programme.

## Drum lighting

The drum lighting illuminates the drum and the area in front of the washing machine. The drum lighting comes on automatically when the door is opened. The drum lighting will go out again automatically after a few minutes.

Defective drum lighting can only be replaced by Miele Customer Service.

## AmbientLight

The washing machine has lighting for the door and for the TwinDos cartridges.

## Door lighting

The door lighting indicates when and whether the door can be opened.




## TwinDos lighting

The TwinDos unit lighting indicates when a TwinDos cartridge needs to be replaced. It also shows which TwinDos cartridge needs to be replaced.

## CapDosing


CapDosing is a system for dispensing special-purpose detergents, fabric softeners and boosters using capsules.

The capsules are available with 3 different labels:

-  = Fabric care product (e.g. fabric softener, proofing agent)
-  = Additive (e.g. detergent enhancer)
-  = Special-purpose detergent (for the main wash only)

Each capsule contains the correct amount for one wash cycle.

The capsules are available from the Miele online shop or from your Miele specialist dealer.

 Capsules pose a health risk. The ingredients of capsules can be hazardous to health if they are swallowed or come into contact with skin. Keep capsules out of the reach of children.

## TwinDos

TwinDos is a system for the automatic dispensing of detergents.

TwinDos can be operated with Miele UltraPhase 1 and UltraPhase 2 or with commercially available liquid detergents and fabric softeners.

Refill containers are required for the use of commercially available products. The refill containers are available from the Miele online shop or from your Miele specialist dealer.

# Familiarising yourself with the appliance

---

## UltraPhase 1 and UltraPhase 2

UltraPhase 1 and 2 are a liquid detergent system and together they make a complete detergent for white and coloured laundry.

UltraPhase 1 is a liquid detergent which dissolves dirt and removes the most common stains. UltraPhase 2 is a bleaching agent and removes stubborn stains. For the best washing result, these two agents are dispensed at separate times during the wash process.

UltraPhase 1 and 2 are available from the Miele online shop or from your Miele specialist dealer.

## TwinDos cartridge detection

The TwinDos cartridges have a barcode. The washing machine uses this barcode to identify the detergent contained in the cartridge and automatically sets the corresponding parameters.

## PowerWash

The PowerWash technique uses less water than conventional washing techniques. Energy consumption is reduced because less water needs to be heated. This results in some special features in the programme sequence.

- At the start of the wash programme, the washing machine spins a few times.
- If necessary, the washing machine will pump water away and take in a little more fresh water.
- Noise when heating the water on the heater elements (bubbling noises).

## FlexLoad

The washing machine measures the amount of laundry in the drum after the programme has started. Once the measurement is complete, the load determined is displayed at **i Information**. The time left, energy consumption and water consumption of the wash programme are adjusted to the determined load size.

The time left that is initially displayed can be significantly reduced.

## Optional accessories

Products specially tailored to your washing machine – such as detergent, fabric care products, additives, appliance care products and accessories – are available from the Miele online shop and Miele Customer Service.

You can access the Miele online shop via the following QR code:



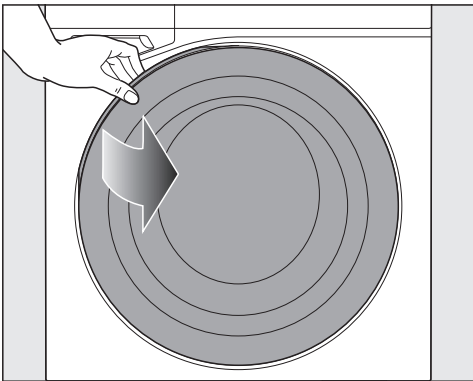
**⚠** Damage resulting from incorrect installation and connection. Installing and connecting the washing machine incorrectly will cause serious damage. Please follow the instructions in “Installation”.

This washing machine has undergone a complete functional test at the factory. Some residual water will therefore remain in the drum from this process.

## Removing the detergent cartridges and the drain hose elbow from the drum

Two detergent cartridges for TwinDos dispensing and an elbow for the drain hose are stored in the drum.

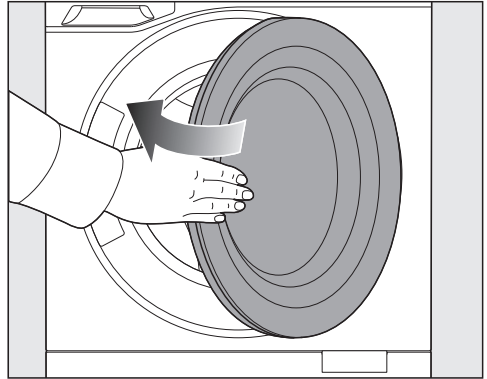
- Switch on the washing machine. Approach the washing machine or press **On/Off**.



- Touch the door.

The ComfortOpen function opens the door a little.

- Open the door fully.
- Take the two cartridges and the elbow out of the drum.



- Shut the door with a gentle swing.

## Requirements for networking

Note the following requirements for networking:

1. A home Wi-Fi network is available at the installation site. Have the Wi-Fi password ready.
2. The Miele App is available on a mobile device.
3. You have a user account in the Miele App.

You can also carry out networking at a later date. Skip the “Networking” menu option during commissioning.

## Commissioning procedure

- Approach the washing machine or press **On/Off**.

The display shows the first step for commissioning.

- Follow the steps in the display.

Commissioning is not complete until the commissioning programme has been completed. If the process is cancelled beforehand, the entire commissioning process must be repeated.

# Operation

---

## Operating sequence

We recommend the operating sequence listed below. This is customised to match your washing machine controls. This will allow you to make the best possible use of all special features.

You will find useful information and tips on the individual operational steps in the rest of the “Operation” section.

### On the washing machine

1. Prepare the laundry
2. Switch on the washing machine
3. Load the laundry
4. Close the door
5. If detergent is to be added via the dispenser drawer, add the detergent
6. Select a programme
7. Set the programme parameters
8. Start with ► *Start*


The washing machine door is locked

9. End of the programme


Further operating options:

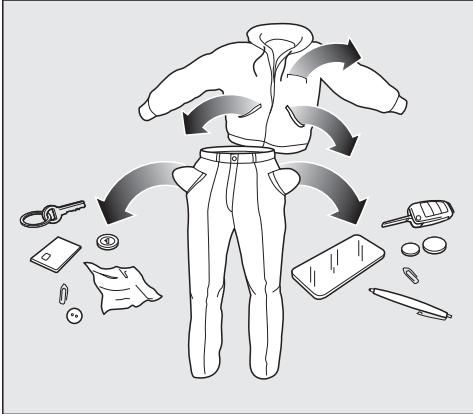
- Delay start
- AddLoad (add laundry)

## Via the App

1. Prepare the laundry
2. Switch on the washing machine
3. Load the laundry
4. Close the door
5. Select  *Remote control* on the washing machine
6. Start the washing machine with ► *Start*  
The washing machine door is locked
7. If detergent is to be added via the dispenser drawer, add the detergent
8. Select a programme via the App
9. Start the programme via the App
10. End of the programme

## Preparing the laundry

 **Damage due to foreign objects.**  
Nails, coins, paper clips, and so on can cause damage to garments and components in the machine.  
Check the laundry before washing and remove any foreign objects.



- Empty all pockets.

## Switching on the washing machine

When the proximity sensor is activated, the washing machine switches on automatically.

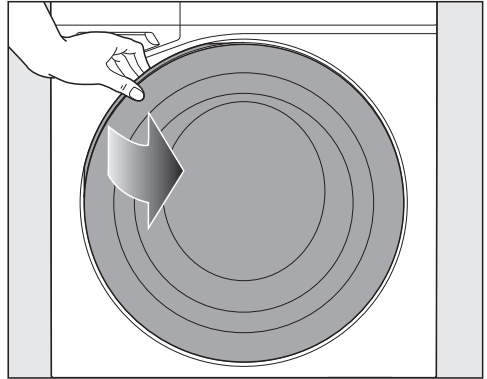
- Press  *On/Off*.

## Loading the laundry

Prepare the laundry as described in “Good to know”.

## Opening the door

The door handle sensor registers when a hand touches the door and opens the door a little.



- Open the door fully.

## Loading laundry in the drum

Check the drum for pets or foreign objects before loading it with laundry.

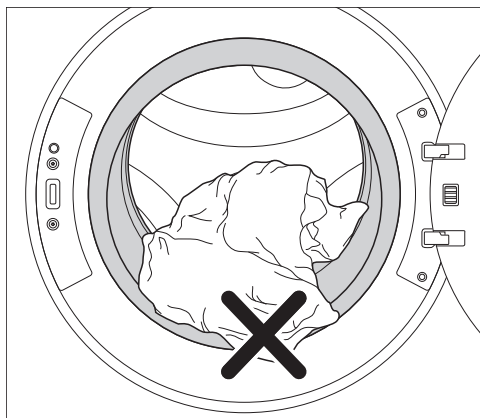
- Unfold the laundry and load loosely in the drum.

## Tips

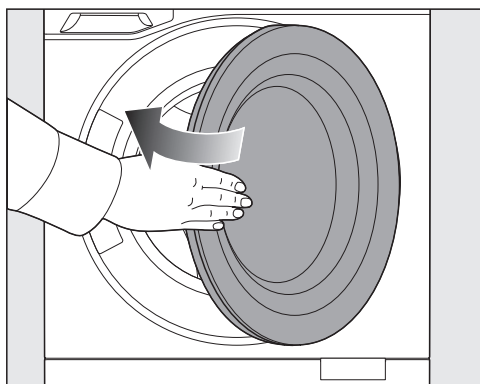
- Mixing both large and small items gives better wash results and helps distribute the load evenly during spinning.
- Always ensure that the maximum load size is not exceeded for the different programmes. The relevant load size is always shown in the display.

# Operation

## Closing the door



- Make sure that no items are caught between the door and the sealing ring.



- Shut the door with a gentle swing.

## Selecting a programme

**Useful tip:** To view programme information, select **i** *Information*.

- Swipe your finger across the display until the required programme is highlighted.

## Setting programme parameters

### Selecting the temperature

You can alter the pre-set temperature of most programmes.

- Select *Temperature* using the slide control within the specified range.

### Selecting TwinDos/capsules

TwinDos must be set up.

**Useful tip:** TwinDos is automatically activated in all programmes in which dispensing is possible and recommended.

- Select *TwinDos/Cap.*

### Selecting a spin speed

You can alter the pre-set maximum spin speed for the programmes.

- Select *Spin speed* using the slide control within the specified range.

### Selecting Extras

- Select **⚙** *Further parameters*.

All parameters are displayed.

- Select *Extras*.
- Switch on the required Extra.

The list only shows the Extras that can be activated for the selected programme.

Certain combinations of Extras are not possible, e.g. *Short* and *Save energy*. After selecting the first Extra, options that cannot be combined are no longer available for selection.

## Starting a programme

The washing machine has an automatic safety lock. The washing machine can only be started within 60 seconds of the last operational step on the control panel.

If the 60 seconds are exceeded, the ► *Start* sensor goes dark. The following question appears in the display: *Release safety lock?*. Confirm the question with *OK*.

You then have another 60 seconds in which to start the wash programme.

- Select ► *Start*.

The door is locked and the programme starts running.

## At the end of the programme

### Unlocking the door during the Anti-crease phase

The door is locked in the Anti-crease phase. The door can be unlocked at any time.

- Select ✓ *Confirm*.

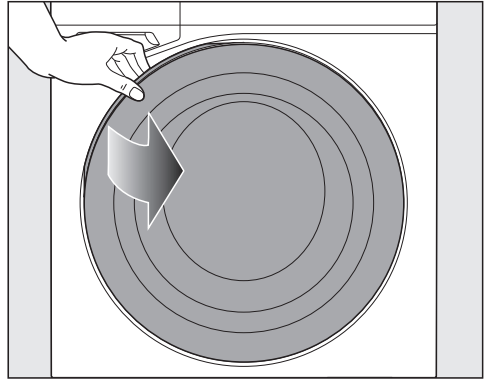
The door unlocks and can be opened.

### Tips

- After the Anti-crease phase, the door will unlock automatically.
- When ComfortOpen is activated, the door opens a little automatically after the Anti-crease phase.

## Opening the door

The door handle sensor registers when a hand touches the door and opens the door a little.



- Open the door fully.

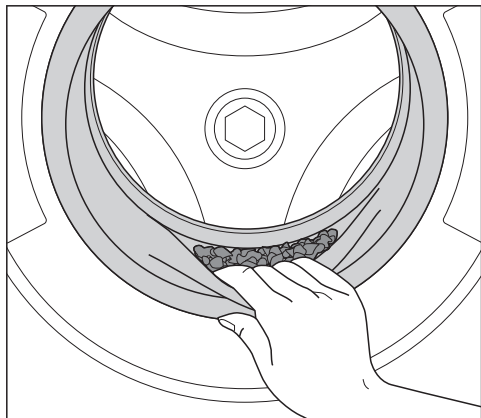
## Removing the laundry

- Remove the damp laundry from the drum.
- To remove all items of laundry, turn the drum by hand.

Items left in the drum could discolour other items in the next wash or become discoloured themselves. Check that all items have been removed from the drum.

# Operation

## What to do after removing laundry



- Check the door sealing ring for any foreign objects.
- If you used a capsule, remove it from the dispenser drawer.

### Tips

- Leave the dispenser drawer slightly open to allow it to dry.
- For safety reasons, close the door when the machine is not in use. Otherwise there is a danger of objects being placed inadvertently in the drum. If these remain unnoticed and were washed in the next load, they could damage the laundry. An open door is also a danger to pets and children.

## Special points for operation via App

### Loading the laundry

- Open the door.
- Load the laundry.
- Close the door.

### Activating operation via App

- Select  *Remote control*.

### Locking the washing machine door

- Select  *Start*.

The washing machine door is locked.




### Selecting and starting a programme via the App

- Select the required programme.
- Select the programme parameters you want.
- Start the programme.

## Delay start

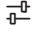

### Setting Delay start

You can use the Delay start to either delay the start of the wash programme or the end of a wash programme. The Delay start function is possible within a 24-hour period.

- Select the  *Further programmes* icon.
- Select *Start*.
- Set the time you want (*Start* or *Finish*).
- To start the wash programme with Delay start, select  *Start*.
- To return to the programme selection, select  *Confirm*.

## Changing Delay start

You can change the selected Delay start.

- Select the  *Further parameters* icon.
- Change the Delay start and select  *Confirm*.

## Deleting Delay start

A Delay start that has been started can be deleted.

- Select  *Stop*.

You can choose between:

- *Start immediately*
- *Cancel programme*

## Add laundry (AddLoad)

Laundry can be added or removed if the display shows “Add laundry”.

- Touch the display.
- Select *Add laundry*.

The wash programme is interrupted and the door will open a little.

- Open the door fully.
- Add or remove laundry.
- Close the door.
- Follow the process for starting a programme again.

The programme will continue.

## Programme modifications after starting the programme

Once the programme has started, neither the programme nor the parameters can be changed. To make a change, you must cancel the programme.

## Cancelling a programme

- Select  *Stop*.

The display will ask whether you want to cancel the programme.

- Select *Yes*.

The programme is cancelled and the door is opened.

## Interrupting a programme

- Switch off the washing machine.
- Switch the washing machine on again to continue the programme.

## ♥ Favourite programmes


You can save up to 12 programmes as Favourites. You can change the programme name and certain parameters for your Favourite programmes.


### Saving Favourites

You are in the main menu.

- Select a programme.
- Select the parameters you want.
- Select ♥ *Favourite programmes*.

A keyboard is displayed.

- Enter the name for the Favourite.
- Select  *Confirm*.

The programme has been saved as a ♥ Favourite. The programme can be started immediately via  *Start*.

**Useful tip:** To save a programme directly as a Favourite, you can also select ♥ *Favourite programmes* at the end of the programme.

# Operation

## Moving Favourites

You are in the ♥ *Favourite programmes* menu.

You have saved a programme as a Favourite and want to sort the list.

- Touch and hold the Favourite you want to move.

A context menu is displayed.

- Select ≡ *Move*.
- Move the *Favourite* to the required position.
- Confirm with ✓ *OK*.

The change has been saved.

## Editing Favourites

You are in the ♥ *Favourite programmes* menu.

You have saved a programme as a Favourite and want to edit the parameters.

- Move your finger in the display until the required Favourite lights up.
- Touch the  $\text{⌘}$  *Further parameters* symbol.

The parameters are displayed.

- Change the parameters you want.

The changes are saved.

## Removing Favourites

You are in the ♥ *Favourite programmes* menu.

You have saved a programme as a Favourite and want to remove it from the list.

- Select the Favourite you want to remove.
- Select ♥ *Favourite programmes*.

The Favourite has been removed from the list.

## Using TwinDos

TwinDos must be set up.

TwinDos is automatically activated for all programmes in which dispensing is possible.

**Useful tip:** The detergent dispensing quantities are preset. If too much foam builds up, the dispensing quantity can be reduced via *Settings* ⚙️ ▶ *TwinDos* ▶ *Dosage amount*.

## Detergent dispensing quantity entered for TwinDos

The UltraPhase 1 and 2 TwinDos cartridges have a barcode that is read by the washing machine. Therefore, you do not need to enter any dispensing quantities when using UltraPhase 1 and 2.

You must specify the dispensing quantities in the following cases:

- The barcode is defective.
- You are using a detergent from another manufacturer.


- Select ≡ ▶ ⚙️ *Settings* ▶ *Appliance functions* ▶ *TwinDos*.
- Select the TwinDos cartridge compartment for which you want to enter or change the dispensing quantity.
- Select *Dosage amount*.
- Enter the dispensing quantity specified on the detergent packaging for **water hardness level 2 (medium), moderately soiled laundry and a load size of 4.5 kg**.

**Useful tip:** This information can be found in a printed table on detergent packaging.

The washing machine automatically calculates the amount of detergent required.

## Using stain removers for TwinDos

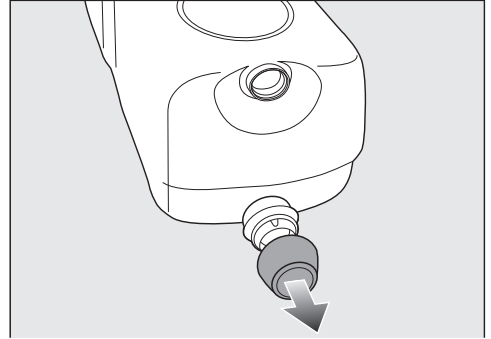
The following options are available when using stain removers:

- using Caps Booster and activating CapDosing
- adding stain removers via the dispenser drawer compartment 

## Replacing the TwinDos cartridge

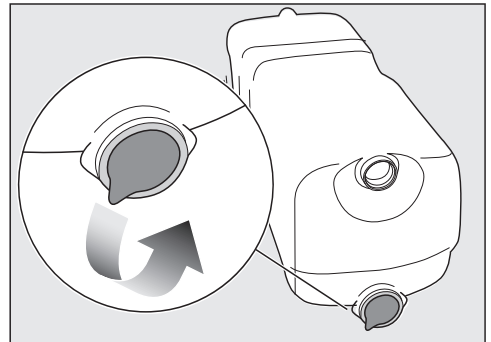
A message will appear in your washing machine display if a TwinDos cartridge is empty.

## Preparing the TwinDos cartridge



- Remove the cover cap from the TwinDos cartridge.

or



- Remove the film seal from the cartridge completely.



Risk of damage from film seal  
If the film seal is not removed completely, leaks can occur in the TwinDos system.

Remove the film seal from the suction port on the cartridge completely before inserting the new cartridge.

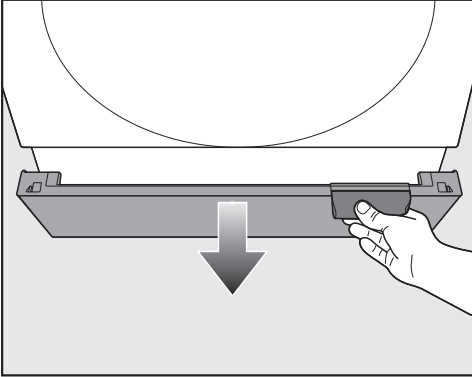
# Operation

---

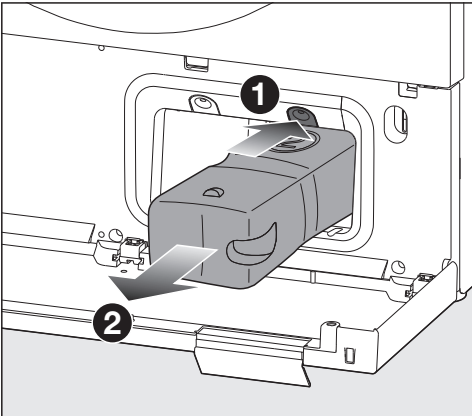
## Replacing the TwinDos cartridge

- Switch on the washing machine.

The plinth flap can break off.  
Do not place anything on the plinth flap when it is open.



- Open the plinth flap.

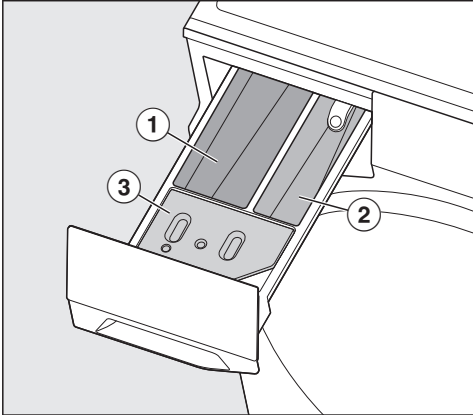





- Press the lock ① to release it.
- Pull out the empty TwinDos cartridge ②.
- Insert a new TwinDos cartridge.

## Using the dispenser drawer

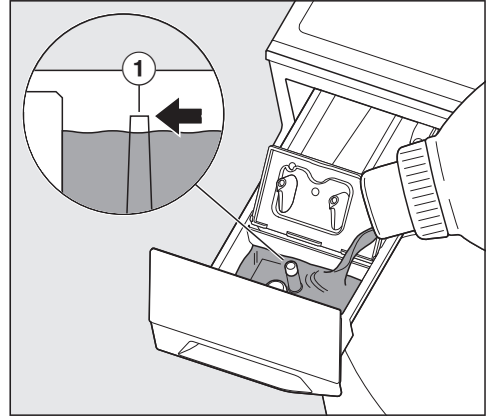
Ensure that TwinDos dispensing is deactivated.


- Pull out the dispenser drawer.




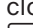
- ①  compartment  
Detergent for the main wash and soaking
  - ②  compartment  
Detergent for the pre-wash
  - ③  compartment  
Fabric softener, form conditioner or capsules
- Add the detergent to the appropriate compartment.

## Adding fabric softener



- Add fabric softener, form conditioner or liquid starch to the  compartment. **Do not exceed the maximum level mark ①.**

The agent will be automatically dispensed in the final rinse cycle. At the end of the programme, a small amount of water remains in the  compartment.

Liquid starch results in clogging. If clogged, the siphon in the  compartment will not work and the compartment can overflow. Clean the siphon particularly thoroughly after using liquid starch a few times.

## Using detergent tablets or pods

- Always put detergent tablets or pods directly in the drum with the laundry.

They cannot be added via the dispenser drawer.

# Operation

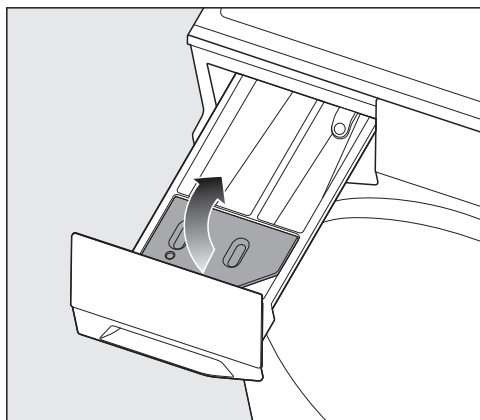
## CapDosing


**⚠** Capsules pose a health risk. The ingredients of capsules can be hazardous to health if they are swallowed or come into contact with skin. Keep capsules out of the reach of children.

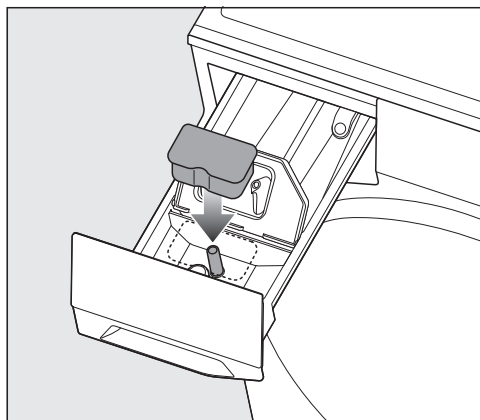
### Inserting a capsule

The capsule is opened by the act of inserting it in the detergent dispenser drawer. The contents can run out of the capsule if you then remove it from the drawer before it is used. In this case, dispose of the capsule and do not re-use it.

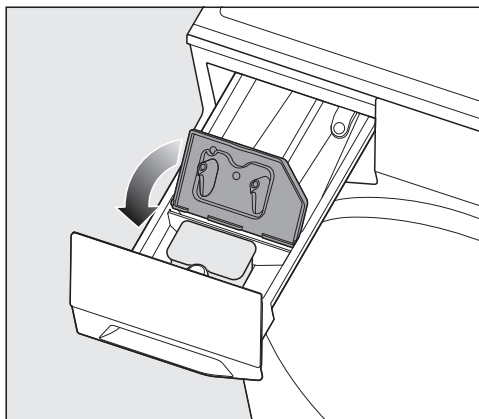
- Pull out the dispenser drawer.



- Open the lid of the  compartment.





- Press the capsule in firmly.



- Close the lid and press it firmly shut.
- Close the dispenser drawer.

The programme will dispense the contents of the capsule at the correct time.

Water intake to the  compartment is solely via the capsule.

No additional fabric softener may be added to the  compartment when using a capsule.

## Programme chart

<b>Cottons</b>	
Temperature	Cold to 90 °C
Load	10.0 kg
Spin	1400 rpm
Items	Cotton, linen or mixed fibre fabric, e.g. T-shirts, underwear, table linen.
Tip	Where particularly high levels of hygiene are required, please select a temperature of 60 °C or higher.

<b>ECO 40-60</b>	
Temperature	Cannot be selected, temperature is automatically controlled by the programme.
Load	10.0 kg
Spin	1400 rpm
Items	For normally soiled cotton garments
Tip	<ul style="list-style-type: none"> <li>- A laundry load consisting of mixed cottons that are intended for washing at 40 °C or 60 °C can be washed in the same wash cycle.</li> <li>- This programme is the most efficient in terms of energy and water consumption for washing cottons.</li> </ul>

### **Note for test institutes:**

Energy labelling programme according to AS/NZS 2040.1 and AS/NZS 2040.2 (consumption data is available at [www.energyrating.gov.au](http://www.energyrating.gov.au)).

The detergent must be added via the detergent dispenser drawer.


TwinDos dispensing must be switched off during the tests.


# Programmes

<b>Minimum iron</b>	
Temperature	Cold to 60 °C
Load	4.0 kg
Spin	1200 rpm
Items	Synthetic and mixed fibre textiles as well as easy care cotton, e.g. jumpers, dresses, trousers and socks/tights
Tip	Reduce the final spin speed for fabric that creases easily.

<b>QuickPowerWash</b>	
Temperature	40 °C and 60 °C
Load	4.0 kg
Spin	1400 rpm
Items	Lightly or moderately soiled cottons, linen or mixed fibres that are also suitable for the Cottons programme
Tip	<ul style="list-style-type: none"><li>- Fast and thorough cleaning of laundry with increased energy and water consumption.</li><li>- Observe the maximum load size.</li></ul>





<b>SmartMatic</b>	
Temperature	Cannot be selected, temperature is automatically controlled by the programme.
Load	6.0 kg
Spin	1400 rpm
Items	Cottons and synthetic fibre or mixed fibre textiles which can be washed at a temperature of 30 °C and higher
Tip	<ul style="list-style-type: none"><li>- Whether it is used for washing 6 x 1 kg or 1 x 6 kg, the programme offers consistently high wash results with the same water and energy consumption per kg.</li><li>- You can optimise detergent consumption by using TwinDos.</li></ul>

<b>Woollens</b> 	
Temperature	Cold to 40 °C
Load	3.0 kg
Spin	1000 rpm
Items	Machine-washable or hand-washable wool or wool blend fabric, e.g. jumpers, cardigans, socks/tights. If the care label does not specify a temperature, wash using the cold setting.
Tip	Reduce the final spin speed for fabric that creases easily.

<b>Shirts/Blouses</b>	
Temperature	Cold to 60 °C
Load	1.0 kg
Spin	1000 rpm
Items	Shirts and blouses made of cotton and mixed fibre
Tip	<ul style="list-style-type: none"> <li>- Pre-treat collars and cuffs if necessary.</li> <li>- The <i>Pre-ironing</i> Extra is activated automatically.</li> <li>- Wash silk shirts and blouses in the <i>Silks</i>  programme.</li> </ul>

<b>Delicates</b>	
Temperature	Cold to 40 °C
Load	3.0 kg
Spin	1000 rpm
Items	Delicate garments made from synthetic fibre, mixed fibre and viscose, e.g. lingerie and appliquéd garments
Tip	For items which crease easily, select the <i>Pre-ironing</i> Extra.

## Programmes

PowerFresh	
Temperature	Steam
Load	1.0 kg
Spin	No final spin
Items	Dry and clean cotton, linen or mixed fibre textiles which are slightly creased The textiles must be suitable for drying in a tumble dryer   and suitable for ironing   .
Tip	<ul style="list-style-type: none"> <li>- Smaller loads achieve a better result.</li> <li>- Selecting TwinDos ensures a fresh fragrance.</li> <li>- Remove garments as soon as the programme has finished and hang them up on a coat hanger.</li> <li>- The programme is <b>not</b> suitable for garments made of wool or wool blend fabric.</li> </ul>

Dark garments/Denim	
Temperature	Cold to 60 °C
Load	4.0 kg
Spin	1200 rpm
Items	Black and dark cotton or mixed fibre textiles and denim, e.g. jackets, trousers, shirts, skirts
Tip	<ul style="list-style-type: none"> <li>- Wash inside out.</li> <li>- Denim often contains excess dye and may run during the first few washes. Therefore, wash light and coloured denim items separately.</li> </ul>

Outerwear	
Temperature	Cold to 40 °C
Load	3.0 kg
Spin	800 rpm
Items	Functional textiles, e.g. jackets and trousers made from membrane fabrics such as Gore-Tex®, SYMPATEX® and WINDSTOPPER®
Tip	<ul style="list-style-type: none"> <li>- Close any zips and velcro fasteners before washing.</li> <li>- Do not use fabric softener.</li> <li>- If required, outdoor clothing can be re-proofed in the <i>Proofing</i> programme. Reproofing after each wash cycle is not recommended.</li> </ul>

Sportswear	
Temperature	Cold to 60 °C
Load	3.0 kg
Spin	1200 rpm
Items	Sportswear such as singlets and leggings as well as microfibre and fleece garments
Tip	<ul style="list-style-type: none"> <li>- Do not use fabric softener.</li> <li>- Observe the instructions on the care label.</li> </ul>

# Programmes


Trainers	
Items	Trainers without leather
Temperature	Cold to 40 °C
Load	2 pairs of shoes
Spin	No final spin
Tip	<ul style="list-style-type: none"><li>- Coarse soiling should be brushed off first before washing.</li><li>- A small additional load of towelling or cleaning cloths increases the cleaning performance and reduces noise.</li><li>- Close velcro fasteners.</li><li>- Do not use fabric softener.</li><li>- Observe the instructions on the care label.</li><li>- Use the drying basket for tumble drying.</li></ul>

Express 20	
Temperature	Cold to 40 °C
Load	3.0 kg
Spin	1200 rpm
Items	Cotton garments that have hardly been worn or are only very lightly soiled
Tip	The <i>Short Extra</i> is activated automatically.

Down filled items/Duvets	
Temperature	Cold to 60 °C
Load	2.0 kg
Spin	1200 rpm
Items	<ul style="list-style-type: none"><li>- Items with down filling, e.g. jackets, vests and sleeping bags</li><li>- Pillows and duvets with down, feather or synthetic filling</li></ul>
Tip	<ul style="list-style-type: none"><li>- Remove air from the textiles before washing to prevent an excessive build-up of foam.</li><li>- Observe the instructions on the care label.</li></ul>

Bed linen	
Temperature	Cold to 90 °C
Load	8.0 kg
Spin	1400 rpm
Items	Bed linen, pillowcases
Tip	Fasten zips and buttons.

Curtains/Drapes	
Temperature	Cold to 40 °C
Load	3.0 kg
Spin	600 rpm
Items	Curtains and drapes specified as machine-washable by the manufacturer
Tip	<ul style="list-style-type: none"> <li>- To remove dust, select the <i>Pre-wash</i> Extra.</li> <li>- For curtains which crease easily, deselect the final spin function.</li> <li>- Remove curtain rollers.</li> </ul>





Silks 	
Temperature	Cold to 30 °C
Load	1.0 kg
Spin	600 rpm
Items	Silks and other hand-washable fabrics with no wool content, e.g. satin, lace and silk
Tip	When using a laundry bag (e.g. for bras or tights), always include other loose textiles in the load.

# Programmes

---

<b>New clothes</b>	
Temperature	Cold to 40 °C
Load	2.0 kg
Spin	1200 rpm
Items	New clothes made of cotton, synthetic fibres and towelling
Tip	Use this programme to wash any manufacturing residues out of new items.

<b>Proofing</b>	
Temperature	40 °C
Load	2.0 kg
Spin	1000 rpm
Items	Items made of microfibre and mainly synthetic fibres, e.g. outerwear, skiwear and rainwear, table linen
Tip	<ul style="list-style-type: none"><li>- Requires the use of a special-purpose detergent.</li><li>- Proofing creates a water and dirt-repellent effect on the textiles.</li><li>- The items must be freshly laundered and spun or dried before proofing.</li><li>- The thermal fixation of the Proofing programme takes place automatically at the end of the process.</li></ul>

Pre-ironing only	
Temperature	Steam
Load	2.0 kg (spun laundry)
Spin	No final spin
Items	Damp, freshly washed and spun textiles that are suitable for drying in a tumble dryer   and suitable for ironing  
Tip	<ul style="list-style-type: none"> <li>- Reduces creasing after washing and minimises the ironing effort.</li> <li>- 5–6 shirts make up a load of approx. 2.0 kg.</li> <li>- Smaller loads achieve a better result.</li> <li>- Remove garments as soon as the programme has finished and then put them in the tumble dryer or hang them up on a coat hanger to smooth them out.</li> <li>- Not suitable for garments made of wool or wool blend fabric</li> </ul>

Separate rinse	
Temperature	No heating
Load	8.0 kg
Spin	1400 rpm
Items	Textiles that are to be rinsed or for separate fabric softeners
Tip	Reduce the final spin speed for fabrics that crease easily.

Spin only	
Temperature	No heating
Load	10.0 kg
Spin	1400 rpm
Items	Items which only need to be spun
Tip	<ul style="list-style-type: none"> <li>- Drain: set the spin speed to 0 rpm</li> <li>- Reduce the final spin speed for fabrics that crease easily.</li> </ul>

## Programmes

Clean TwinDos	
Temperature	No heating
Load	0.0 kg
Spin	No final spin
Items	Do not load any laundry The drum must be empty for the cleaning process
Tip	<ul style="list-style-type: none"><li>- Clean the washing machine before switching off for longer periods of time (more than 2 months).</li><li>- Use the Miele TwinDos Care cleaning cartridge for cleaning.</li></ul>

Clean machine	
Temperature	Cannot be selected, temperature is automatically controlled by the programme.
Load	0.0 kg
Spin	No final spin
Items	Do not load any laundry The drum must be empty for the cleaning process
Tip	<ul style="list-style-type: none"><li>- Optimum results can be achieved by using Miele's IntenseClean machine cleaner. Alternatively, a universal powder detergent can be used.</li><li>- Dispense the machine cleaner or universal detergent directly into the drum.</li><li>- The <i>Short Extra</i> is activated automatically.</li></ul>

Clean drum	
Temperature	No heating
Load	0.0 kg
Spin	No final spin
Items	Do not load any laundry The drum must be empty for the cleaning process
Tip	Soiling such as sand or fluff is rinsed out of the drum.

## Programme sequence

	Wash rhythm	Rinse cycles	Water level during rinsing
Cottons	Intensive	3	Medium
ECO 40-60	Intensive	2	Medium
Minimum iron	Normal	3	High
QuickPowerWash	Intensive	2	Low
SmartMatic	Normal	3	Medium
Woollens	Hand wash	3	High
Shirts/Blouses	Sensitive	3	High
Delicates	Sensitive	3	Very high
PowerFresh	Rocking	–	–
Dark garments/Denim	Normal	3	Medium
Outerwear	Sensitive	3	High
Sportswear	Sensitive	2	High
Trainers	Rocking	2	Medium
Express 20	Intensive	1	Low
Down filled items/ Duvets	Normal	2	High
Bed linen	Intensive	2	High
Curtains/Drapes	Sensitive	4	Medium
Silks	Hand wash	2	High
New clothes	Normal	2	Medium
Proofing	Normal	1	Medium

- The information in the table always refers to the maximum load size of the programme.
- The washing machine determines the amount of water and energy required depending on the amount of laundry and its absorbency.
- During the main wash, the suds are sprayed continuously into the laundry. This means that the water level cannot be detected.

## Number of rinse cycles

The number of rinse cycles depends on a number of factors:

- selected final spin speed
- foam build-up during the main wash cycle
- selected Extras

# Programmes

---





## Extras

### Short

For light soiling with no visible staining. The programme sequence is reduced. Mechanical action and energy usage are increased.

### Pre-ironing

The laundry undergoes a smoothing process with steam at the end of the programme. For optimal smoothing, reduce the maximum load by 50 %. Small loads achieve a better result.

The garments must be suitable for drying in a tumble dryer   and suitable for ironing  .

### SingleWash

For efficiently washing a very small load (< 1 kg) in a normal wash programme. The wash duration is reduced.

Please note the following advice:

- Use liquid detergent.
- For manual dosing: Reduce the dosage to a maximum of **50 %** of the amount quoted for a **½ load**.

### Stains

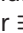



For cleaning stained laundry. The programme sequence is altered with this wash Extra.

### Save energy

The wash temperature is reduced and the wash duration is increased.

### Rinse plus





Activates 1 to 3 extra rinses for excellent results.

The number of rinse cycles can be set under   *Settings*  *Appliance functions*  *Rinse plus*.

### Extra quiet

This option reduces noise levels during the wash programme. Use this if you want to wash laundry during quiet periods (for instance when children are sleeping). The *Rinse hold* Extra is switched on automatically, deactivating the final spin. The programme running time is extended.

### Hygiene plus





The hygiene requirements for laundry are increased. The temperature holding time is extended in the main wash to improve the rinsing efficiency. This will increase the water and energy consumption for the programme. The laundry must be suitable for drying in a tumble dryer   and suitable for ironing  .

### Pre-wash

For laundry with large amounts of dirt, e.g. dust and sand.

### Soak

For heavily soiled fabrics with protein stains.

The soak duration can be set to between 30 minutes and 6 hours via   *Settings*  *Appliance functions*  *Soak*.

### Rinse hold

The laundry is not spun after the final rinse and remains in the rinse water. This helps prevent creasing if the laundry is not going to be removed from the washing machine immediately after the end of the programme.

## Detergent recommendations

The recommendations apply across the entire temperature range of the wash programmes.


	Miele UltraPhase 1 and 2	Miele capsules 	Miele capsules 	Miele capsules 	Universal detergent	Colour detergent	Detergent for delicates and woollens	Special-purpose detergent
Cottons	✓		✓	✓	✓	✓		
ECO 40-60	✓		✓	✓	✓	✓		
Minimum iron	✓		✓	✓		✓		
QuickPowerWash	✓		✓	✓	✓	✓		
SmartMatic	✓		✓	✓	✓	✓		
Woollens 		✓					✓	✓
Shirts/Blouses	✓		✓	✓	✓	✓		
Delicates	✓	✓	✓	✓			✓	
PowerFresh	✓							
Dark garments/Denim	✓		✓	✓	✓	✓		
Outerwear	✓	✓					✓	✓
Sportswear	✓	✓				✓		✓
Trainers	✓	✓				✓		✓
Express 20	✓		✓			✓ <sup>1</sup>		
Down filled items/Duvets	✓	✓					✓	✓
Bed linen	✓		✓	✓	✓	✓		
Curtains/Drapes	✓		✓	✓	✓	✓		
Silks 		✓					✓	✓
New clothes	✓		✓	✓		✓		
Proofing			✓					
Clean machine					✓ <sup>2</sup>			✓

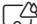
✓ recommended

<sup>1</sup> Liquid detergent


<sup>2</sup> Powder detergent

 Specialist detergents (e.g. WoolCare)

 Fabric care (e.g. fabric softener)

 Additive (e.g. booster)

## Consumption data

Programmes	Load kg	Energy kWh	Water Litres	Running time h: min	Temperature <sup>1</sup> °C	Residual moisture %	Spin speed rpm
Cottons	10.0	1.950	110.0	3:19	60	50.00	1400
	10.0	0.300	85.0	2:55	20	50.00	1400
Minimum iron	4.0	0.400	45.0	1:59	30	30.00	1200
Express 20 <sup>2</sup>	3.0	0.200	20.0	0:20	30	60.00	1200
Woolleens 	3.0	0.250	25.0	0:40	30	40.00	800
QuickPowerWash	4.0	0.700	40.0	0:49	40	60.00	1400

<sup>1</sup> Maximum laundry temperature reached in main wash.

<sup>2</sup> *Short* Extra activated


## Information for customers


Consumption data can vary from the nominal values listed depending on water pressure, water hardness, water intake temperature, room temperature, type and volume of load, fluctuations in the mains voltage and any Extras selected.

## Preparing the laundry for washing

### Sorting the laundry

- Sort the laundry according to colour and fabric.
- Empty all pockets.

 Damage due to foreign objects. Nails, coins, paper clips, and so on can cause damage to garments and components in the machine. Check the laundry before washing and remove any foreign objects.


- Dark textiles often contain excess dye which is released in the first few washes. Therefore, wash light and coloured items separately.
- Information on the fabric and wash programme can be found on the care label. Most garments have a care label in the collar or side seam.
- **Do not** wash garments with the  **not washable** symbol on the care label in the washing machine.
- For curtains, remove the rollers and/ or lead weights or tie both in a bag.
- Make sure that bra underwires are sewn in. Remove any loose underwires before washing.
- Close any zips, velcro fasteners or hook and eye fasteners before washing.
- Close the buttons of duvet covers and pillowcases. This prevents other laundry from getting trapped inside the covers.


### Pre-treating stains

Pre-treat stains quickly, preferably while the stains are fresh. Dried stains or stains that have penetrated the fabric are difficult to remove.

- Dab the stains off using a soft, colourfast cloth. Do not rub.

**Useful tip:** Stains (e.g. blood, egg, coffee, tea) can be pre-treated using some handy tricks. You can find these tricks in the Miele App or in Customer information - Helpful Advice and Information - Tips on stain removal on the Miele website.

 Damage due to solvent-based cleaning agents. Cleaning agents containing benzene, stain remover, etc., can damage plastic parts. When pre-treating garments, make sure that any plastic parts (e.g. buttons) do not come into contact with cleaning agent.

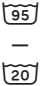
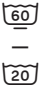
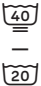


 Risk of explosion due to solvent-based cleaning agents. If solvent-based cleaning agents are used, an explosive mixture can form. Never use solvent-based cleaning agents in the washing machine.




## Good to know





### Care label





The care label contains symbols for the perfect cleaning and care of garments.




The symbols can be divided into the following categories:

Washing	
The figure quoted in the bucket is the maximum temperature at which the garment can be washed.	
	Normal agitation, e.g. the <i>ECO 40-60</i> , <i>Cottons</i> programmes
	Reduced agitation, e.g. the <i>Minimum iron</i> programme
	Much reduced agitation, e.g. the <i>Delicates</i> programme
	Hand wash, e.g. the <i>Woolens</i> programme
	Do not wash

Drying	
	Normal or higher temperature
	Low temperature
	Do not tumble dry

Ironing	
	Approx. 200 °C
	Approx. 150 °C
	Approx. 110 °C Ironing with steam can cause irreversible damage.
	Do not iron

Professional cleaning	
	Dry clean only. The letters indicate the type of cleaning agent required.
	
	Wet cleaning
	Do not dry clean

Bleaching	
	Any oxidation bleach can be used
	Use oxygen bleach only
	Do not bleach

### Detergent

Any detergent suitable for domestic washing machines can be used with this appliance. Please observe the instructions for use and dosage on the detergent packaging.

### Using dispensing aids

Use dispensing aids (e.g. dispenser balls) if these are supplied with the detergent, particularly when using liquid detergent.

### Using refill packs

When purchasing detergent, buy refill packs wherever possible. This helps reduce the amount of waste packaging.

### Correct dispensing of detergent

The dispensing quantity of detergent depends on various factors:

- Degree of soiling of the laundry
- Amount of laundry
- Water hardness. Check with your local water supplier if you do not know the water hardness level in your area.

### Effects of dispensing more or less than required

**Dispensing too much detergent** does not improve the wash results, but has the following effects:

- Poorer wash results due to too much foam in the drum and reduced mechanical action
- Cleaning results are impaired
- Higher water consumption due to an extra rinse (switched on automatically if too much foam is sensed in the drum)
- Higher costs due to increased water and detergent consumption
- Pollution of the environment

**Dispensing too little detergent** has the following effects:

- The laundry does not get clean and turns grey over time (greying of the laundry)
- Increased limescale on the heater elements (energy consumption increases, heater element service life is reduced)
- Unpleasant odours in the washing machine (due to the formation of a biofilm)
- Unpleasant odours in the laundry (due to residual sebum)

## Good to know

### Water hardness levels

When dispensing detergent, it is important to observe the water hardness levels.

The local water supplier can supply details of the on-site water hardness level.

Water hardness level	Hardness level in mmol/l	German scale °dH
I (soft)	0–1.5	0–8.4
II (medium)	1.5–2.5	8.4–14
III (hard)	Above 2.5	Above 14

### Water softener

Using water softener is recommended from water hardness levels II and III. Using water softener can save detergent. Dispense according to the amount specified on the water softener packaging. Observe the following sequence when adding water softener and powder detergent into the dispenser drawer.

1. Add powder detergent.
2. Add water softener.

Any other order will cause the detergent to stick to the dispenser drawer.

**Useful tip:** For liquid detergents: pour the detergent into the dispenser drawer and the water softener directly into the drum using a dispensing aid.


Then dispense the recommended amount of detergent for water hardness level I.

### Colour run and dye removers/dyes

- Dyes suitable for use in domestic washing machines can be used. However, please note that the salt used in the dyeing process can cause corrosion to stainless steel components in the machine if you use dye frequently. Always observe the manufacturer's instructions carefully.

After dyeing, run the *Clean drum* programme. This rinses out any salt and colour residues.

- It is prohibited to use dye removers in the washing machine.

 Damage due to colour run/dye removers.

Colour run and dye removers can cause corrosion in the washing machine.

Do not use colour run or dye removers in this washing machine.

### Spinning

The laundry is spun to remove water. There is a spin cycle after the main wash, after the rinse cycles and in the final spin phase.

The ideal final spin speed is pre-set for each programme and is limited to a maximum value depending on the programme. The maximum final spin speed for the programme can be found in the programme chart.

### Rinse-spin

There is a rinse-spin cycle after the main wash and the rinse cycles.

It is important to drain the water out of the laundry to improve the cleaning results. The maximum set spin speed is not reached.

If the final spin speed is reduced, the rinse-spin speed is adjusted.

If the final spin speed is less than 700 rpm, an extra rinse is activated in the *Cottons* programme to ensure efficient cleaning results.

### Deselecting the final spin or rinse-spin

#### Deselecting the final spin

- Switch on the *Rinse hold Extra*.

The laundry is not spun after the final rinse and remains in the rinse water. This helps prevent creasing if the laundry is not going to be removed from the washing machine immediately after the end of the programme.

#### Deselecting the rinse-spin and the final spin

- Set the final spin speed to 0 rpm.

**Useful tip:** It is only possible to deselect the rinse-spin when deselecting the final spin.

# Adjusting settings

---

## Settings: Overview

\* Follow the instructions in the display.

### General ▶

#### Software update ▶

Update

#### Language ▶ \*

#### Date & Time ▶ \*

Clock format ▶

24 hours

12 hours

Set the time ▶

Set the date ▶

#### Brightness ▶ \*

#### Sounds ▶ \*

Buzzer tones ▶

End of prog. tone ▶

#### Security ▶

System lock ▶

Set up

Edit

Delete

PIN code ▶

#### Proximity sensor ▶

Off

Near

Far

#### Factory default settings ▶

Reset appliance

### Networking ▶

#### Wi-Fi

##### Connection ▶

Signal strength ▶

Home network ▶

IP address ▶

Reset

##### Remote control

### Appliance functions ▶

#### TwinDos ▶

Compartment 1 ▶

Detergent ▶

UltraPhase 1

UltraPhase 2

Colour detergent

Universal detergent

Delicates detergent

Woollens detergent

Fabric softener

No detergent

Dosage amount ▶

Adjust fill level ▶

Compartment 2 ▶

Detergent ▶

...

Dosage amount ▶

Adjust fill level ▶

## Water inlet ▶

- Cold water
- Hot water main wash
- Hot water mw + rinse

## Memory

## ComfortOpen

## Allergy

## Soak ▶

- 0:30 → 6:00 h

## Rinse plus ▶

- 1 rinse cycle
- 2 rinse cycles
- 3 rinse cycles

## Temperature reduction

## Suds cooling

## Low water pressure

## Anti-crease ▶

- Anti-crease
- Duration ▶
- 0:30 → 2:00 h

## Water hardness ▶

## Lighting ▶ \*

- Door handle

## Information ▶

## Software ▶ \*

## Legal information ▶

## Consumption ▶

- Previous programme ▶
- Total consumption ▶

## Operating hours

## Information ▶

## Factory default settings ▶

# Adjusting settings

---

## General

You can find this under ≡ ▶

⚙️ *Settings ▶ General.*

## Software update

You can find this under ≡ ▶

⚙️ *Settings ▶ General ▶ Software update.*

To receive updates, you must successfully connect to your home Wi-Fi network.

You can switch on this function to keep the software up to date with the latest Miele developments. A message will appear in the display as soon as a new update is available.

## Security

### System lock

You can find this under ≡ ▶

⚙️ *Settings ▶ General ▶ Security ▶ System lock.*

The system lock prevents the appliance from being used without authorisation.

- *Set up*  
You are prompted to select an input method for the system lock. You must unlock the display every time after switching on.
- *Edit*  
This menu option is only displayed if you have already set up the system lock. You can change the selected PIN code.
- *Delete*  
This menu option is only displayed if you have already set up the system lock. You can delete the system lock. There is no longer any protection against the appliance being used without authorisation.

**Useful tip:** Make a note of the *PIN code*. If you have forgotten the PIN code, Miele Customer Service will have to reset the PIN code.

## Proximity sensor

You can find this under ≡ ▶

⚙️ *Settings ▶ General ▶ Proximity sensor.*

The proximity sensor detects movements within a certain range. You can deactivate the proximity sensor or adjust its range (*Near or Far*).

## Factory default settings

You can find this under ≡ ▶

⚙️ *Settings ▶ General ▶ Factory default settings.*

You can reset the appliance to the default settings.

## Networking

You can find this under ≡ *Menu ▶*

⚙️ *Settings ▶ Networking.*

Networking allows you to operate your appliance using the Miele App or external voice assistants, as well as to update the software.

## Wi-Fi

You can find this under ≡ *Menu ▶*

⚙️ *Settings ▶ Networking.*

You can only connect to your home Wi-Fi network if the *Wi-Fi* setting is activated.

## Connection

You can find this under ≡ ▶

⚙️ *Settings* ▶ *Networking* ▶ *Connection*.

You can view information about your home Wi-Fi network.

### - *Signal strength*

The strength of the Wi-Fi signal is displayed.

### - *Home network*

You can view the quality of the connection to your home Wi-Fi network.

### - *IP address*

The IP address is displayed.

### - *Reset*

If you reset the network data, you will no longer be able to operate your appliance via the Miele App or external voice assistants or update the software. You will need to reconnect to your home Wi-Fi network.

## Remote control

You can find this under ≡ *Menu* ▶

⚙️ *Settings* ▶ *Networking*.

You are only able to operate your appliance via the Miele App or external voice assistants if the *Remote control* setting is switched on.

## Appliance functions

Here you can adjust various settings for the wash process.

### TwinDos

You can find this under ≡ ▶

⚙️ *Settings* ▶ *Appliance functions* ▶ *TwinDos*.

You can select detergents, set the dispensing quantities and check and correct the fill level of the detergent cartridges.

This setting is only necessary if the detergent cartridges are not automatically detected by the washing machine.

If you wish to use your own detergent with the TwinDos function instead of UltraPhase 1 and 2, you will need the refill containers (optional accessories).

UltraPhase 1 and 2 can only be dispensed as a package. If a different detergent is selected for one compartment, the setting for the other compartment is automatically deselected.

**Useful tip:** If you select *No detergent*, the respective TwinDos compartment will be deactivated.

# Adjusting settings

---

## Water inlet

You can find this under ≡ ▶

⚙ *Settings* ▶ *Appliance functions* ▶ *Water inlet*.

You can programme 3 options for the water intake.

### - *Cold water*

Water enters via the cold water inlet hose only.

### - *Hot water main wash*

When using cold and hot mains water, the water enters via both water inlet hoses. Hot mains water is only used in the main wash if a temperature of over 30 °C is selected.

### - *Hot water mw + rinse*

When using cold and hot mains water, the water enters via both water inlet hoses. Hot mains water is used in the main wash and for rinsing. Water consumption is reduced by approx. 10%.

## Memory

You can find this under ≡ ▶

⚙ *Settings* ▶ *Appliance functions* ▶ *Memory*.

The washing machine will save the last parameters (temperature, spin speed and some of the Extras) selected for a wash programme after the programme has started.

When the wash programme is chosen again, the saved parameters will appear in the washing machine's display.

## ComfortOpen

You can find this under ≡ ▶

⚙ *Settings* ▶ *Appliance functions* ▶ *ComfortOpen*.

The washing machine door opens automatically at the end of the Anti-crease phase or after a programme is cancelled.

## Allergy

You can find this under ≡ ▶

⚙ *Settings* ▶ *Appliance functions* ▶ *Allergy*.

Increased demand on the rinsing efficiency of the washing machine. An extra rinse is always carried out.

## Soak

You can find this under ≡ ▶

⚙ *Settings* ▶ *Appliance functions* ▶ *Soak*.

You can set a soak duration of between 30 minutes and 6 hours.

## Rinse plus

You can find this under ≡ ▶

⚙ *Settings* ▶ *Appliance functions* ▶ *Rinse plus*.

You can select how many extra rinses are to be carried out. This setting is important for allergy sufferers. The washing machine's water consumption increases.

## Temperature reduction

You can find this under ≡ ▶

⚙ *Settings ▶ Appliance functions ▶ Temperature reduction.*

At an installation altitude above 1000 m, water has a lower boiling point. Miele recommends activating the reduced temperature setting at installation altitudes of 2000 m or above to prevent water from boiling. The maximum temperature is reduced to 80 °C even if a higher temperature is selected.

## Suds cooling

You can find this under ≡ ▶

⚙ *Settings ▶ Appliance functions ▶ Suds cooling.*

Additional water flows into the drum at the end of the main wash to cool the suds down. Hot suds can damage plastic drainage pipes.

Suds cooling takes place when the *Cottons* programme with a temperature of 70 °C or higher is selected.

Switch on the suds cooling in the following cases:

- to prevent the danger of scalding if the drain hose is hooked over the edge of a sink or basin
- where the drainage pipes are rated less than 70 °C

## Low water pressure

You can find this under ≡ ▶

⚙ *Settings ▶ Appliance functions ▶ Low water pressure.*

If the water pressure is below 100 kPa (1 bar), the programme will be cancelled and the fault message *Fault F10 • Water inlet* will appear.

If the on-site water pressure cannot be increased, activating this function will prevent the programme from being cancelled.

## Anti-crease

You can find this under ≡ ▶

⚙ *Settings ▶ Appliance functions ▶ Anti-crease.*

The Anti-crease function reduces creasing after the end of the programme.

At the end of the programme, the drum continues to turn at intervals for up to 2 hours. The washing machine door can be opened at any time.

## Water hardness

You can find this under ≡ ▶

⚙ *Settings ▶ Appliance functions ▶ Water hardness.*

Set the exact water hardness for the water in your home. The water hardness is required to correctly dispense TwinDos.

## Lighting

You can find this under ≡ ▶

⚙ *Settings ▶ Appliance functions ▶ Lighting.*

The door handle lighting can be switched off or on.

# Adjusting settings

---

## Service

You can find this under ≡ ▶

⚙️ *Settings ▶ Service.*

You can set whether Miele Customer Service can gain access to the software for servicing purposes.

### *Remote Access*

Miele Customer Service can access the software remotely.

## Information

You can find this under ≡ ▶

⚙️ *Settings ▶ Information.*

## Software

You can find this under ≡ *Menu ▶*

⚙️ *Settings ▶ Information ▶ Software.*

You can find information about the installed software here.

## Legal information

You can find this under ≡ *Menu ▶*

⚙️ *Settings ▶ Information ▶ Legal information.*

You can query which integrated open source components are used in the software.

## Consumption

You can find this under ≡ ▶

⚙️ *Settings ▶ Consumption.*

You can display the energy and water consumption of the washing machine.

## Operating hours

You can find this under ≡ ▶

⚙️ *Settings ▶ Information.*

You can query the number of operating hours.

## Cleaning the casing, drum and control panel

**⚠ Risk of electric shock!**

Mains voltage is present when the washing machine is switched off.

Disconnect the machine from the electricity supply before cleaning or maintenance.

**⚠ Risk of damage due to ingress of water.**

The pressure of a water jet can cause water to get into the washing machine, resulting in damage to components.

Do not spray the washing machine with a water jet or high pressure hose.

**⚠ Damage caused by cleaning agents.**

Solvent-based cleaning agents, abrasive cleaners, glass cleaners or multi-purpose cleaning agents can cause damage to plastic surfaces and other parts.

Do not use any of these cleaning agents.

Cleaning recommendation:

As required

Tools required:

Soft cloth

- Clean the casing and control panel with a mild cleaning agent or soapy water and dry both with a soft cloth.
- The drum can be cleaned using a suitable stainless steel cleaner following the manufacturer's instructions on the packaging.

## Cleaning the dispenser drawer

Washing at low temperatures and the use of liquid detergent can lead to a build-up of mould and bacteria in the dispenser drawer.

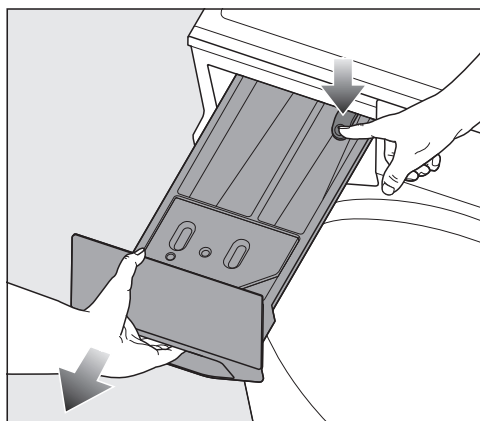
Cleaning recommendation:

Every 4 weeks at the beginning, even if you only use TwinDos. If there is no heavy soiling, you can extend the intervals.

Tools required:

Bottle brush

## Removing and cleaning the dispenser drawer

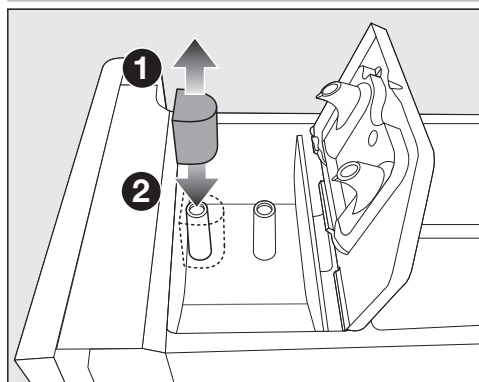


- Pull out the dispenser drawer until you feel resistance. Press down the release button and at the same time pull the drawer right out of the machine.
- Clean the dispenser drawer with warm water.

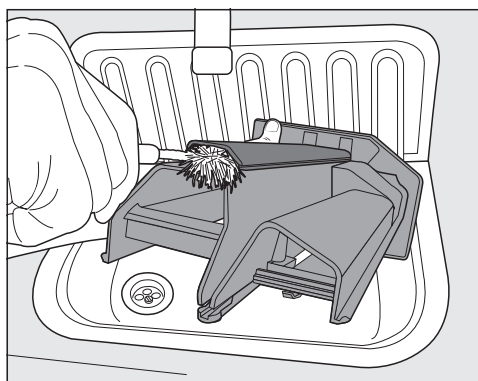
# Cleaning and care

## Cleaning the siphon and the ☸/ ☐ compartment channel

Liquid starch results in clogging. If clogged, the siphon in the ☸/  
☐ compartment will not work and the compartment can overflow. Clean the siphon particularly thoroughly after using liquid starch a few times.

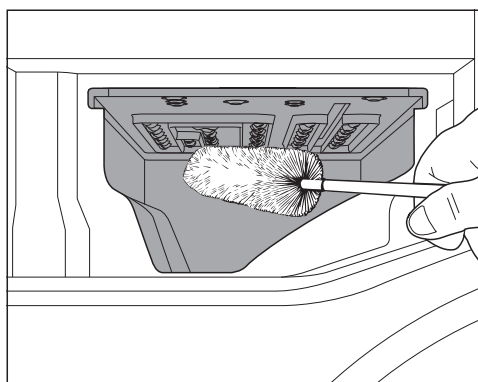


- 1 Pull the siphon out of the ☸ compartment.
  - 2 Refit the siphon.
- Clean the siphon under warm running water.
  - Clean the siphon tube in the same way.



- Clean the fabric softener channel using a bottle brush and warm water.

## Cleaning the dispenser drawer housing



- Use a bottle brush to remove detergent residues and limescale from the jets inside the dispenser drawer.
- Replace the dispenser drawer.

**Useful tip:** To assist drying, leave the dispenser drawer slightly open.

### Cleaning the water intake filter

The filter must be put back in place after cleaning.

The washing machine has a filter to protect the water intake valve. You can check the filter for soiling and clean it yourself in just a few simple steps.

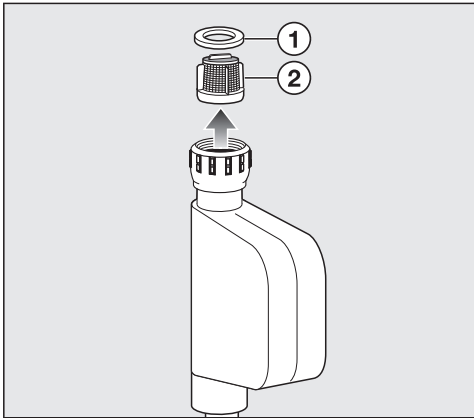
#### Cleaning recommendation:

Every 6 months. Perform this check more often if there are frequent interruptions to the external water supply.

#### Tools required:

Screwdriver, long nose pliers

- Turn off the tap.
- Unscrew the water inlet hose from the tap.



- Use a screwdriver to remove the black rubber seal ① from the screw thread.
- Using long nose pliers, take hold of the plastic filter bar ② and remove the plastic filter.
- Clean the filter.
- First insert the filter and then the rubber seal back in the screw thread.

- Screw the screw thread securely back onto the tap by hand.
- Slowly turn on the tap.

Make sure there is no water leaking from the connections.

# Cleaning and care

---

## Cleaning the TwinDos system



Damage resulting from dried laundry detergent.

If the system has not been used for a long time (more than two months), detergent in the hoses can become viscous or dry out. The hoses can become blocked and would then need to be cleaned by a service technician.

Clean the TwinDos system.

The washing machine has the *Clean TwinDos* cleaning programme for the TwinDos system. Running the cleaning programme will rinse and clean the hoses inside the washing machine.

To run the cleaning programme, you will need the TwinDos Care cleaning cartridge or a refill container, available from the Miele online shop or from your Miele specialist dealer.

## Cleaning the compartment

Detergent residues can cause clogging.

Cleaning recommendation:

Each time the cartridges are changed.

Tools required:

Damp cloth

- Use a damp cloth to clean the compartment interior.

## Starting the cleaning programme

Cleaning interval:

Longer downtime of more than 2 months or when changing the type of detergent

Tools required:

TwinDos Care cleaning cartridge or refill container

- Follow the instructions in the display.

## Cleaning the drum/Hygiene in the washing machine

The washing machine has 2 machine cleaning programmes:

- *Clean drum*
- *Clean machine*

## Cleaning the drum

Soiling such as sand and fluff is rinsed out of the drum.

Cleaning recommendation:

As required

- Start the *Clean drum* programme.

## Cleaning the machine

Washing at low temperatures and/or using liquid detergents can cause germs and odours to build up in the washing machine.

Cleaning recommendation:

Message in the display

Tools required:

Miele IntenseClean machine cleaner or a universal powder detergent


- Start the *Clean machine* programme.

Many malfunctions and faults can be easily remedied. You can save time and money in many cases, as you do not need to contact Customer Service.

More information to help you remedy faults yourself can be found at [www.miele.com.au/support/customer-assistance](http://www.miele.com.au/support/customer-assistance) or [www.miele.co.nz/support/customer-assistance](http://www.miele.co.nz/support/customer-assistance).



### The display does not switch on automatically – it is not possible to select a programme

Problem	Possible cause and remedy
<b>Washing machine does not switch on. The display remains dark.</b>	There is no power to the washing machine. <ul style="list-style-type: none"> <li>■ Check whether the mains plug is plugged in and switched on.</li> <li>■ Check whether the circuit breaker has tripped.</li> </ul>
	The proximity sensor is switched off. The proximity sensor does not respond. <ul style="list-style-type: none"> <li>■ Press  <i>On/Off</i> and switch on the washing machine.</li> <li>■ Check the <i>Proximity sensor</i> setting in Settings.</li> <li>■ Check the proximity sensor by approaching the washing machine from the front.</li> </ul>
<b>▶ Start is dark and cannot be activated.</b>	The door is not closed properly. <ul style="list-style-type: none"> <li>■ Open the door and close it again.</li> </ul>
	The washing machine has an automatic safety lock. The washing machine can only be started within 60 seconds of the last operational step on the control panel. <ul style="list-style-type: none"> <li>■ Confirm the question: <i>Release safety lock?</i> by touching the <i>OK</i> sensor.</li> <li>■ You now have another 60 seconds in which to start the wash programme.</li> </ul>

## Problem solving guide

---

### Door does not open or close

Problem	Possible cause and remedy
<b>Fault F34</b>	The door is not closed properly. The door lock could not engage. <ul style="list-style-type: none"><li>■ Close the door again.</li><li>■ Start the programme again.</li><li>■ If the same fault message appears again, contact Miele Customer Service.</li></ul>
<b>Fault F35</b>	The door lock has jammed. <ul style="list-style-type: none"><li>■ Switch the washing machine off and on again.</li><li>■ If the same fault message appears again, contact Miele Customer Service.</li></ul>
<b>The door cannot be opened during the wash process.</b>	During the wash process, the door is locked and the door sensor is switched off. <ul style="list-style-type: none"><li>■ You can interrupt the wash process and cancel the door lock via “Add laundry”.</li></ul>

### Water intake or drainage

Problem	Possible cause and remedy
<b>Fault F10 • Water inlet</b>	The washing machine could not draw in enough water. <ul style="list-style-type: none"><li>■ Check whether the tap has been turned on or turned on properly.</li><li>■ Check whether the water inlet hose is kinked.</li><li>■ Check that the water connection pressure is sufficient. The minimum pressure is 100 kPa (1 bar). If the water connection pressure is permanently below the minimum value, the “Low water pressure” setting can be activated.</li></ul>
<b>Fault F11 • Water drainage</b>	The drain pumps are dirty or blocked. <ul style="list-style-type: none"><li>■ Clean the drain filters and drain pumps (see “Problem solving guide – Draining the suds solution in the event of a fault”).</li></ul>
	The drain hose has been fixed too high. <ul style="list-style-type: none"><li>■ Observe the maximum delivery head of 1.0 m.</li></ul>
<b>Fault F138</b>	The water protection system has reacted. <ul style="list-style-type: none"><li>■ Turn off the tap.</li><li>■ Contact Miele Customer Service.</li></ul>

## Problem solving guide

Problem	Possible cause and remedy
<b>Fault F373 • Leak at drain filter</b>	<p>The washing machine has detected a leak in the drain filter.</p> <ul style="list-style-type: none"> <li>■ Check the drain filter and tighten it again.</li> <li>■ Switch the washing machine off and on again.</li> <li>■ If the fault occurs again, contact Miele Customer Service.</li> </ul>

### Fault messages and information in the display

Problem	Possible cause and remedy
<b>Fault FXXX Switch the appliance off and on again. If the fault persists, call Miele.</b>	<p>The washing machine has detected a fault.</p> <ul style="list-style-type: none"> <li>■ Disconnect the washing machine from the mains electricity supply. Switch off at the wall and withdraw the plug from the socket, or switch off the mains circuit breaker.</li> </ul> <p>Disconnect the washing machine from the mains supply <b>for at least 2 minutes</b>.</p> <ul style="list-style-type: none"> <li>■ Reconnect the washing machine to the electricity supply.</li> <li>■ Then switch the washing machine on again.</li> <li>■ Restart the programme.</li> </ul> <p>If the fault occurs again, contact Miele Customer Service.</p>
<b>Select a programme with 60 °C or higher or start the “Clean machine” programme. “Clean machine” now?</b>	<p>A wash programme using a temperature above 60 °C has not been run for a long time. This can lead to a build-up of germs and odours in the washing machine.</p> <ul style="list-style-type: none"> <li>■ Start the <i>Clean machine</i> programme by adding either Miele IntenseClean machine cleaner or a universal powder detergent.</li> </ul>
<b>Check detergent</b>	<p>Excessive foam has built up during washing.</p> <ul style="list-style-type: none"> <li>■ Check the amount of detergent dispensed.</li> <li>■ With automatic detergent dispensing, check the dispensing quantity set.</li> <li>■ Observe the instructions on the detergent packaging and the degree of soiling of the laundry.</li> <li>■ If necessary, reduce the basic dispensing quantity by increments of 10%.</li> </ul>

## Problem solving guide

Problem	Possible cause and remedy
<b>Fault F210 • Circulation</b>	The drain pumps and the nozzle in the door sealing ring are dirty. <ul style="list-style-type: none"><li>■ Clean the drain pumps and the nozzle in the door sealing ring (see “Problem solving guide – Draining the suds solution in the event of a fault”).</li><li>■ Start a wash programme again after cleaning.</li></ul>
	If the same fault message appears again, contact Miele Customer Service.




### Fault messages and problems with TwinDos

Problem	Possible cause and remedy
<b>TwinDos empty sensor defective</b>	The fill level of the TwinDos cartridges cannot be detected. The empty sensing is defective. <ul style="list-style-type: none"><li>■ TwinDos can continue to be used.</li><li>■ Check the fill level of the TwinDos cartridges.</li><li>■ Contact Miele Customer Service to remedy the defect.</li></ul>
<b>Use TwinDos</b>	TwinDos has not been used for a long time. As a result, there is a risk of the hoses becoming blocked. <ul style="list-style-type: none"><li>■ Use TwinDos for one of your next wash cycles.</li></ul>
<b>Clean TwinDos</b>	TwinDos needs to be cleaned. TwinDos has not been used for a long time. <ul style="list-style-type: none"><li>■ Carry out TwinDos cleaning immediately.</li></ul>

### Hygiene in the washing machine

Problem	Possible cause and remedy
<b>The washing machine smells unpleasant.</b>	Germs and/or a biofilm have formed in the washing machine. A wash programme using a temperature above 60 °C has not been run for a long time. <ul style="list-style-type: none"><li>■ Start the <i>Clean machine</i> programme by adding either Miele IntenseClean machine cleaner or a universal powder detergent.</li></ul>
	The door and the dispenser drawer were left closed after washing. <ul style="list-style-type: none"><li>■ Leave the door and the dispenser drawer slightly open to allow them to dry.</li></ul>

### Problems with the dispenser drawer

Problem	Possible cause and remedy
<b>Large amounts of detergent residues remain in the dispenser drawer.</b>	The water connection pressure is too low. <ul style="list-style-type: none"> <li>■ Check the water connection pressure (at least 100 kPa (1 bar)).</li> <li>■ Check the filter in the water inlet hose for soiling and clean the filter.</li> </ul>
	Powder detergent used in conjunction with water softeners tends to become sticky. <ul style="list-style-type: none"> <li>■ Clean the dispenser drawer.</li> <li>■ In future, observe the following dispensing sequence:                             <ol style="list-style-type: none"> <li>1. Add the powder detergent.</li> <li>2. Add the softener to the powder detergent.</li> </ol> </li> </ul>
<b>The fabric softener is not completely dispensed. A large amount of water remains in the  compartment.</b>	The siphon is not correctly positioned or is clogged. <ul style="list-style-type: none"> <li>■ Clean the siphon.</li> </ul>
	For technical reasons, a small amount of water will remain in the  compartment.
<b>There is still liquid in the capsule at the end of the programme.</b>	There is a blockage in the small pipe in the dispenser drawer onto which the capsule is placed. <ul style="list-style-type: none"> <li>■ Clean the dispenser drawer.</li> </ul>
	For technical reasons, a small amount of water will remain in the capsule.
<b>There is water next to the capsule in the  compartment.</b>	CapDosing was not activated. <ul style="list-style-type: none"> <li>■ Remove the capsules and dispose of them.</li> <li>■ Switch on CapDosing the next time a capsule is used.</li> </ul>
	An empty capsule was not removed after the last wash programme. <ul style="list-style-type: none"> <li>■ Remove the capsule.</li> </ul>
	There is a blockage in the small pipe in the dispenser drawer onto which the capsule is placed. <ul style="list-style-type: none"> <li>■ Clean the dispenser drawer.</li> </ul>

## Problem solving guide

---

### Poor wash results

Problem	Possible cause and remedy
<b>Liquid detergent does not achieve the required result.</b>	<p>Commercially available liquid detergents do not usually contain bleaching agents. Stains from fruit, coffee or tea, for example, are difficult to remove without bleaching agent.</p> <ul style="list-style-type: none"><li>■ Use TwinDos with UltraPhase 1 and 2. The targeted addition of UltraPhase 2 (bleaching agent) during the wash process removes stains effectively.</li><li>■ Add a powder detergent containing bleach.</li></ul>
<b>White residues which look like powder detergent are seen on dark fabrics after washing.</b>	<p>Powder detergents contain compounds (zeolites) to aid water softening which are not soluble in water. The zeolites have ended up on the laundry.</p> <ul style="list-style-type: none"><li>■ Try and brush off the residues with a soft brush once the laundry is dry.</li><li>■ In future, wash dark textiles using a liquid detergent. Liquid detergents do not usually contain zeolites.</li><li>■ Wash dark textiles in the special programme offered for this purpose.</li></ul>
<b>Grey, greasy particles cling to washed laundry.</b>	<p>There are greasy particles on the textiles. Greasy particles can form on textiles soiled with grease (oils, ointments) and if not enough detergent has been dispensed.</p> <ul style="list-style-type: none"><li>■ Before the next wash, clean the washing machine with the <i>Clean machine</i> programme to remove residues from the washing machine.</li><li>■ Then wash the textiles again, if possible using a liquid detergent. Liquid detergents have a better cleaning effect on grease stains.</li></ul>
<b>The textiles are unusually wet after the wash process.</b>	<p>The machine detected a high level of imbalance during the final spin and reduced the spin speed. A low final spin speed was selected when selecting the programme.</p> <ul style="list-style-type: none"><li>■ Always place large and small textiles together in the drum for a wash process. This ensures better distribution of the textiles during the final spin and reduces the chance of imbalance.</li></ul>

## Noises and various other problems

Problem	Possible cause and remedy
<b>The washing machine shakes during the spin cycle.</b>	The washing machine is not standing evenly on all 4 adjustable feet. The feet are not secured. ■ Level the washing machine and secure the feet.
<b>Strange pump noises can be heard.</b>	This is not a fault. Slurping noises occur at the start and end of the pump sequence as a normal part of operation.

## Problem solving guide

### Draining the suds solution in the event of a fault

Follow the operating sequences listed.

The individual operational steps can be found in “Problem solving guide”.

#### Draining the suds solution and opening the door in the event of a power cut

1. Remove the plinth flap
2. Drain the suds
3. Fit the plinth flap
4. Operate the emergency release

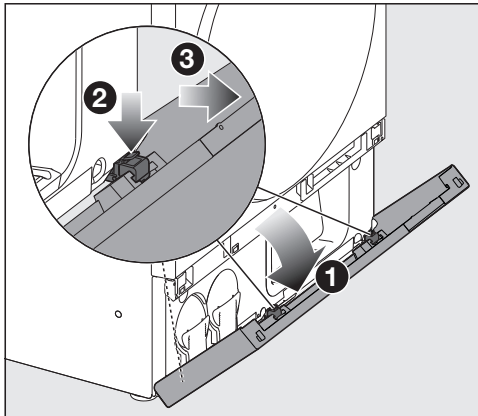
#### Draining the suds solution if the drain filter is clogged

1. Remove the plinth flap
2. Drain the suds
3. Clean the pump and drain filter
4. Fit the plinth flap

#### Draining the suds solution and cleaning the pump and nozzle for Fault F210 • Circulation

1. Remove the plinth flap
2. Drain the suds
3. Clean the pump and drain filter
4. Clean the nozzle at the top of the door sealing ring
5. Fit the plinth flap

### Remove the plinth flap



- ❶ Open the plinth flap by approx. 45°.
- ❷ Release the 3 retainers one after the other.
- ❸ Remove the plinth flap by pulling it forwards.

**Useful tip:** To avoid damaging the plinth flap, put it to one side.

## Draining the suds

Requirement: the plinth flap has been removed.

Depending on the wash programme and the progress of the wash cycle, there may be a large quantity of suds in the washing machine.

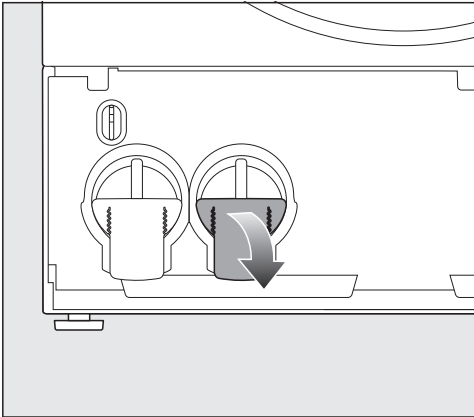
### Emptying into a shallow container

This draining method is recommended if the washing machine is placed directly on the floor.

#### Tools required:

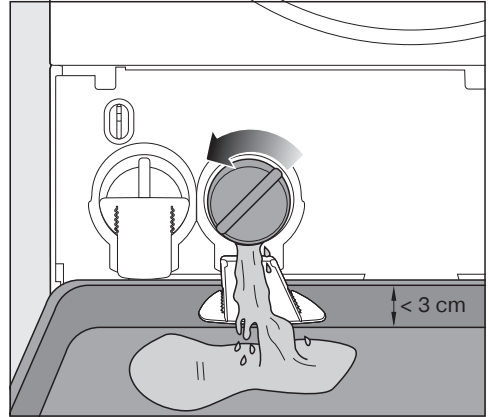
Container max. 3 cm high and ideally with a capacity of 2 litres, e.g. a universal tray from the oven.

- If the floor is sensitive, place a towel underneath to protect the floor.



- Fold down the right-hand pouring aid.
- Press the pouring aid all the way down until you feel it click into place.

**⚠ Risk of scalding due to hot suds.**  
Escaping suds will be hot if laundry has been washed at high temperatures!  
Carefully allow all suds to drain off.



- Slide a flat container under the pouring aids.
- Slowly and carefully unscrew the right-hand drain filter to let the suds out.
- To interrupt the suds drainage (e.g. to empty the container), tighten the drain filter again.

The process is complete when no more suds run out.

### Emptying into a plastic bag

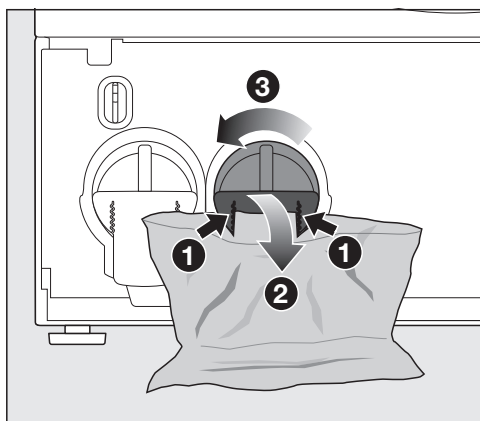
This draining method is recommended if the washing machine is slightly elevated, e.g. on a plinth.

#### Tools required:

1 plastic bag (freezer bag) with a volume of at least 3 litres and a towel for sensitive floors.

- If the floor is sensitive, place a towel underneath to protect the floor.

## Problem solving guide



- 1 Attach the plastic bag to both slots of the right-hand pouring aid.
  - 2 Fold down the pouring aid.
  - 3 Slowly and carefully unscrew the right-hand drain filter to let the suds out.
- To interrupt the drain (e.g. to empty the bag), tighten the drain filter again.

The process is complete when no more suds run out.

### Next steps

You want to clean the drain filter

- Read “Cleaning the pumps and drain filters”.

You do not want to clean the drain filter

- Tighten the drain filter back up again.
- Fold the pouring aid up again.



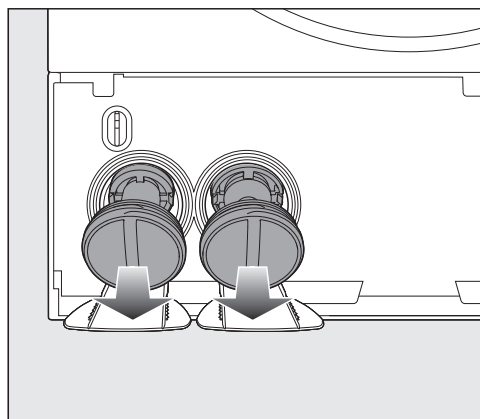
**Risk of water damage**

Make sure the drain filter is securely tightened. Otherwise there is a risk of water leakage during use.

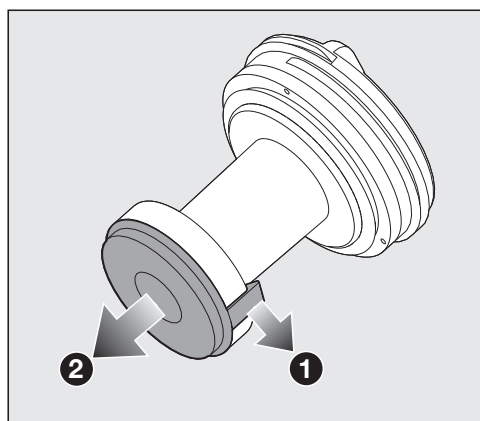
Replace the drain filter correctly and tighten it securely.

## Cleaning the pumps and drain filters

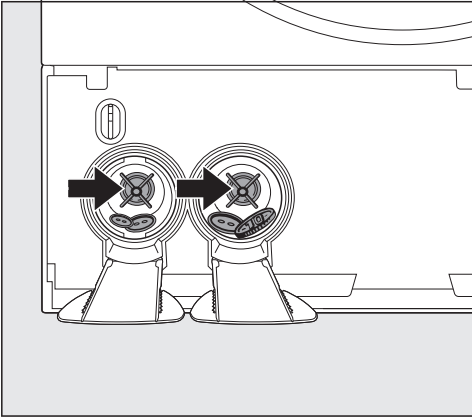
Requirement: suds have been drained.



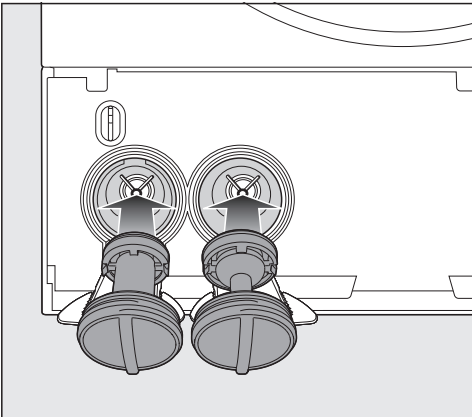
- Unscrew the drain filters completely and remove them.
- Clean the drain filters thoroughly.



- 1 Loosen the retainers on the drain filter lids.
- 2 Remove the lids and clean the inside of the drain filters.



- Check whether the pump impellers can rotate freely.
- Remove any foreign objects (e.g. buttons, coins).
- Clean the inside thoroughly.



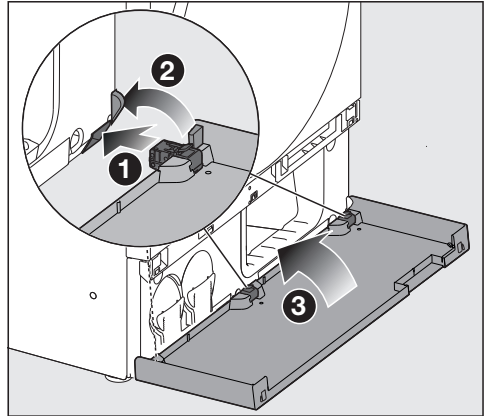
- Replace the drain filters correctly (on the right and left) and tighten them securely.
- Fold the pouring aids up again.



**Risk of water damage**

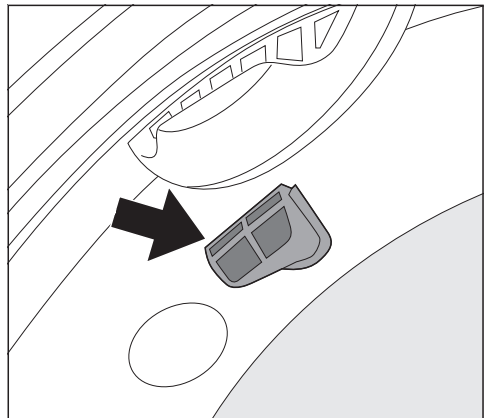
Make sure the drain filters are securely tightened. Otherwise there is a risk of water leakage during use. Replace the drain filters correctly and tighten them securely.

## Fitting the plinth flap



- 1 Snap the 3 retainers back into place after use.
- 2 Press the outer edge of the plinth flap slightly outwards.
- 2 Close the plinth flap.

## Cleaning the nozzle at the top of the sealing ring



- Remove the fluff with your finger. Do not use any sharp or pointed tools to do this.

# Problem solving guide

---

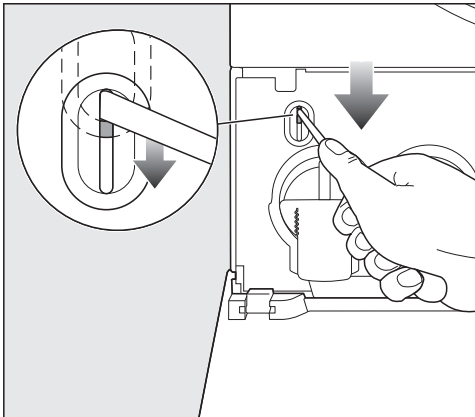
## Operating the emergency release

Requirement: suds have been drained.

Tools required:

Long thin screwdriver

In the event of a power cut during the wash process, the door remains locked. The door can be unlocked manually.



1. Use a screwdriver to push the door release mechanism all the way down without touching or opening the door.
2. Then pull the door open.

**⚠** Danger of injury due to rotating drum.

Reaching into a moving drum is extremely dangerous and may result in injury.

Always make sure that the drum is stationary before reaching in to remove laundry.

Keep children away from the washing machine.

3. Close the door.

4. Open the door again.

If the door is locked, repeat steps 1 to 4 to avoid potential safety risks.

5. Remove the laundry.

You can find information on how to remedy faults yourself at [www.miele.com.au/support/customer-assistance](http://www.miele.com.au/support/customer-assistance) or [www.miele.co.nz/support/customer-assistance](http://www.miele.co.nz/support/customer-assistance) and about Miele spare parts at [www.miele.com.au/service](http://www.miele.com.au/service) or [www.miele.co.nz/service](http://www.miele.co.nz/service).

## Warranty

The manufacturer's warranty for this appliance is 2 years.

For further information, please refer to your warranty booklet.

## Contact in case of fault

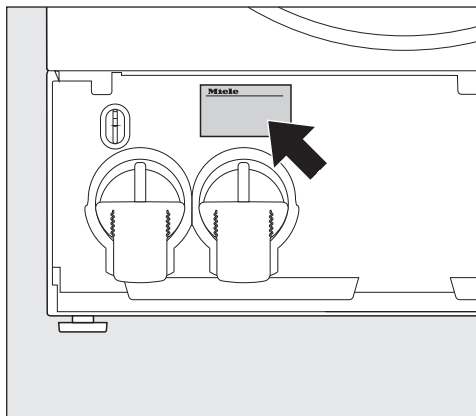
In the event of any faults which you cannot remedy yourself, please contact Miele.

You can book a Miele customer service call-out online at [www.miele.com.au/service](http://www.miele.com.au/service) or [www.miele.co.nz/service](http://www.miele.co.nz/service).

Contact information for Miele can be found at the end of this booklet.

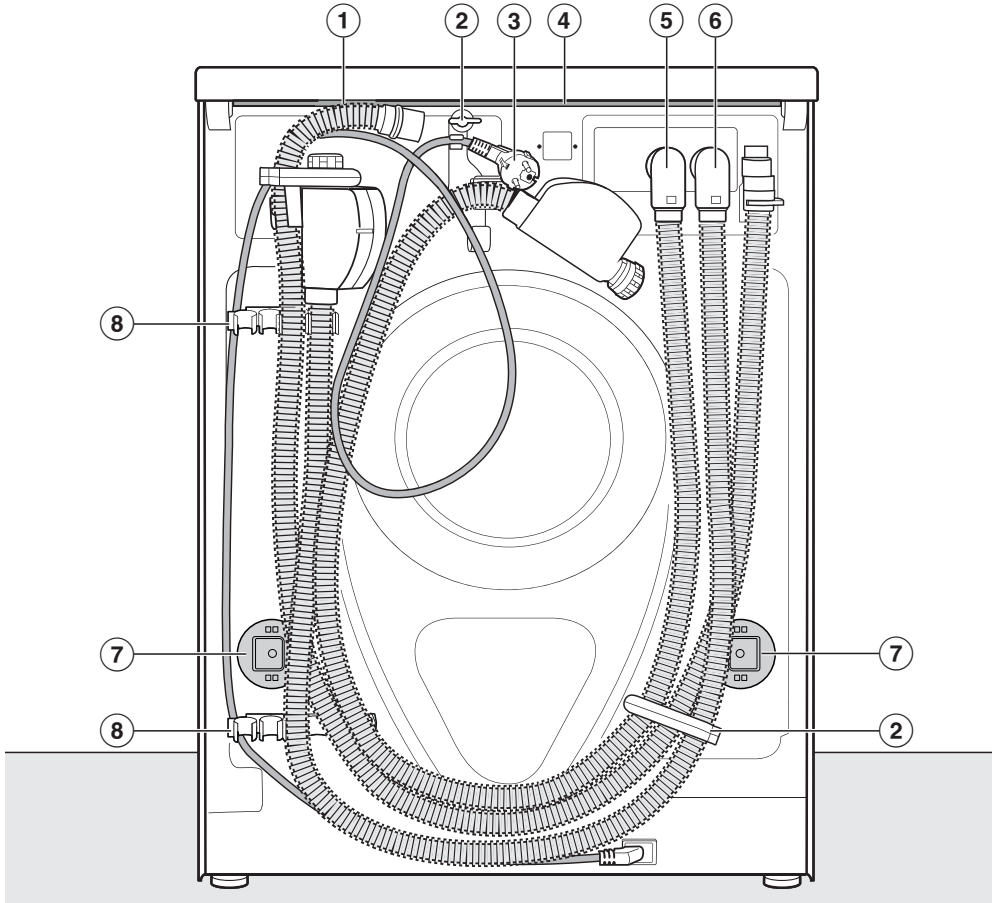
Please quote the model and serial number of your appliance when contacting Miele. This information can be found on the data plate.

The data plate can be found above the right-hand drain pump when the plinth flap is open.



# Installation

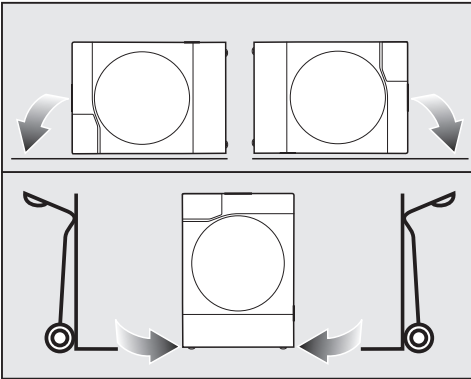
## Rear view



- ① Drain hose
- ② Transport clips for inlet and drain hoses and power supply cord
- ③ Power supply cord
- ④ Protruding lid for holding when moving the appliance
- ⑤ Waterproof system inlet hose for cold mains water
- ⑥ Waterproof system inlet hose for hot water
- ⑦ Safety caps for transit bars
- ⑧ Transport clips for inlet and drain hoses and for storing transit bars when not in use

## Transporting the washing machine

**⚠** Danger of injury to people and damage to property caused by moving the appliance incorrectly. If the washing machine tips up, there is a danger of injury to people and damage to property. Make sure the washing machine is stable during transportation.



- If transporting the washing machine, make sure its left or right side panel is:
  - lying horizontally (e.g. in a car) or
  - upright on a hand trolley

## Transporting the washing machine to its installation surface

**⚠** Danger of injury due to unsecured lid. Make sure the fixings at the back of the lid are secure. They may become brittle due to external circumstances. There is a danger of the lid being pulled off when carrying the appliance. Before carrying the appliance, check that the lid is secure where it protrudes at the back.

- Carry the washing machine by the front adjustable feet and by the lid where it protrudes at the back of the machine.

## Requirements for the installation surface for the washing machine

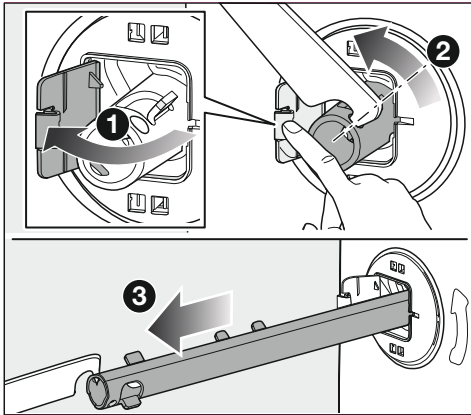
- Connections for electricity, water intake and drainage should be installed in such a way that they remain accessible when the washing machine is in its final position.
- The best base is a concrete floor.
- When installing on wooden beam flooring, the base should be reinforced with a plywood base (minimum size: 59 x 52 x 3 cm). The base should span several joists and be bolted to the joists and not only to the floorboards. Check for the presence of pipes and cables first.
- Do not place on soft flooring (e.g. carpet).

# Installation

## Removing the transit bars

### Removing the transit bars

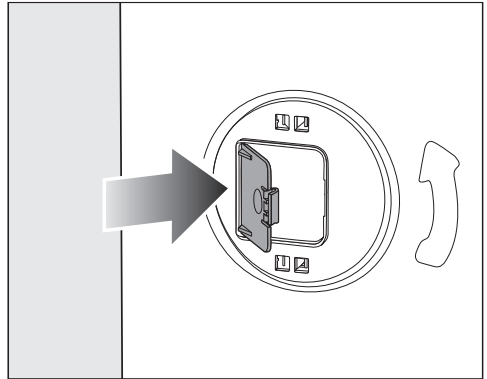
Remove the left-hand transit bar first, followed by the right-hand transit bar.



- 1 Push the cover out.
  - 2 Using the spanner supplied, turn the transit bar 90°.
  - 3 Then pull the transit bar out.
- Remove the right-hand transit bar in the same way.

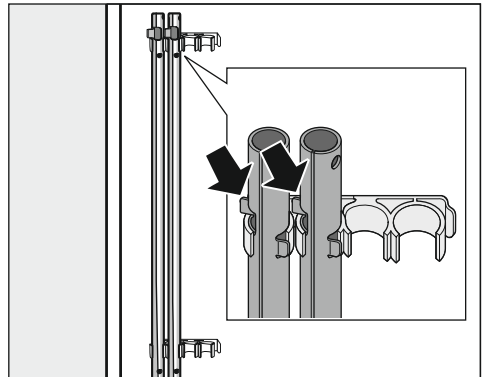
### Covering the holes

**⚠ Risk of injury from sharp edges!**  
There is a risk of injury from reaching into holes that are not covered.  
After removing the transit bars, cover the exposed holes.



- Press the covers firmly shut until they click into place.

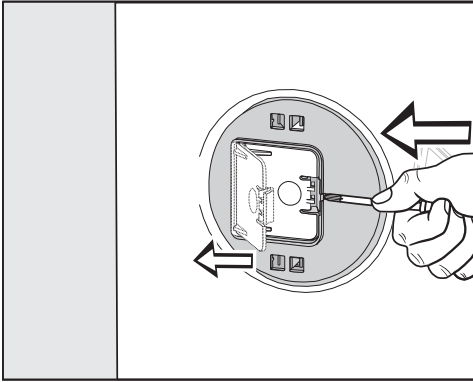
### Securing the transit bars



- Secure the transit bars to the rear panel of the washing machine. Make sure that the top retainer is located above the holder.

## Fitting the transit bars

### Opening the flaps



- Push against the catch with a pointed object, e.g. a narrow screwdriver.


The flap will open.

### Fitting the transit bars

- Install the transit bars in reverse order to their removal.

**Useful tip:** If you lift the drum slightly, the transit bars can be pushed in more easily.

## Aligning the washing machine

 Risk of damage due to incorrectly aligned washing machine.

There is a danger of the washing machine moving about if the feet are not secured.

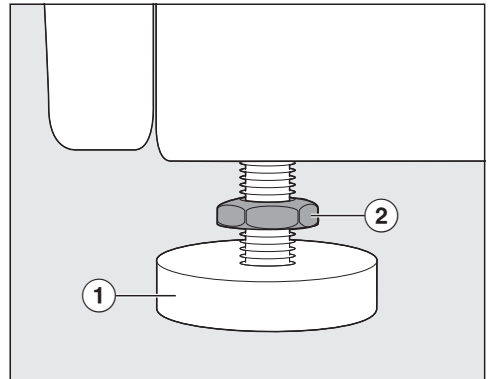
Turn all four counter nuts for the feet until they sit firmly up against the housing. Please also check this for the feet which did not need adjustment.

The washing machine must stand perfectly level on all 4 feet. This is the only way to ensure safe and proper operation.

Incorrect installation may increase water and energy consumption. The washing machine can also move around during spinning.

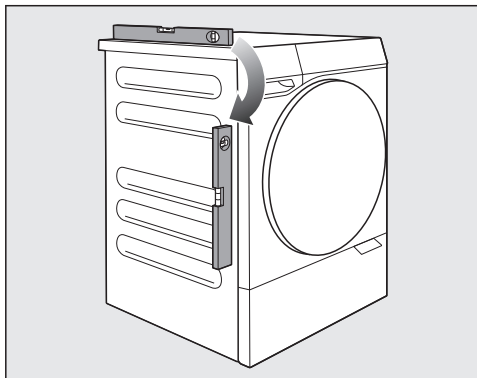
### Unscrewing the feet and positioning the washing machine vertically

The appliance is supplied with all feet screwed in.



- Using the spanner supplied, turn the counter nut ② in a clockwise direction.
- Then turn the counter nut ② together with the foot ① to unscrew.

# Installation



- Use a spirit level to check the washing machine is standing level.


If the washing machine is vertical, the feet still need to be secured.

## Securing the feet

- Hold the foot ① securely with water pump pliers.
- Use the spanner to screw the counter nut ② tight against the casing.

## Additional installation requirements

### Installing under a continuous worktop

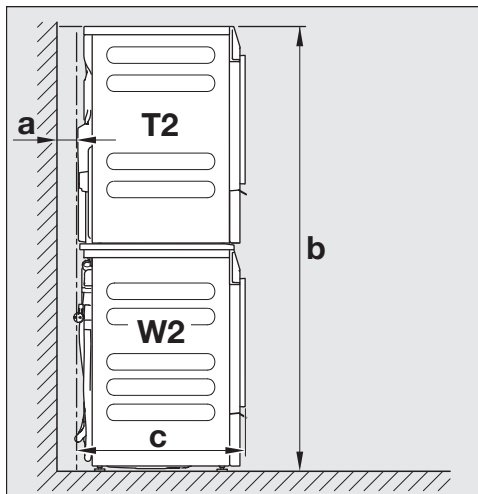
 Risk of electric shock due to exposed cables. There is a risk of coming into contact with live parts while the lid is removed. Do not remove the washing machine lid.

This washing machine (with lid intact) can be pushed under a worktop (min. 850 mm) if there is space to do so.

## Washer-dryer stack

The washing machine can be installed as a washer-dryer stack together with a Miele tumble dryer. A WTV stacking kit is required for this.

You can obtain a stacking kit from Miele.



a = at least 2 cm

b = WTV 601: 172 cm  
WTV 611: 184.5 cm

c = 65 cm

## Installation on a plinth

The washing machine can be installed on a plinth with drawer (please note the plinth may not be available in all countries). The plinth must be purchased as a pair and secured to the second plinth supporting another tumble dryer or washing machine.

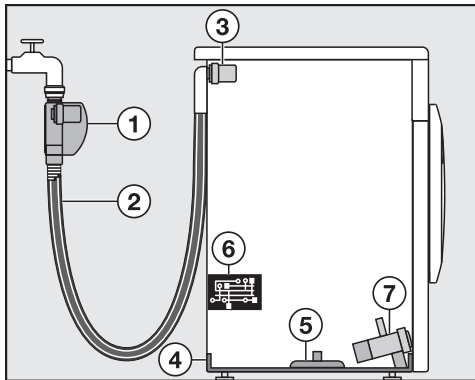
## The Miele water protection system

The Miele water protection system protects all parts of the washing machine from water damage.

The system consists of the following main components:

- the water inlet hose
- the electronic module, and the drainage and overflow protection
- the drain hose

## The Miele Waterproof system (WPS)




- ① Solenoid valve inside the casing of the water inlet hose
- ② Sheathed water inlet hose with pressure-resistant inner hose
- ③ Solenoid valve for water intake control
- ④ Floor tray
- ⑤ Float switch
- ⑥ Electronic module
- ⑦ Drain pump

## Water inlet hoses

- A solenoid valve ① that shuts off the water inlet directly at the tap is located in the casing of the water inlet hoses. If the solenoid valve is faulty, the pressure-resistant inner hose ② and the solenoid valve for water intake control ③ will provide additional protection.
- The inner hose and the solenoid valves have a burst pressure of at least 6000 kPa (60 bar).
- The sheathed water inlet hose ② consists of a pressure-resistant inner hose and an outer sleeve. If water leaks from the inner hose, it is guided through the outer sleeve and into the floor tray ④. The float switch ⑤ closes the solenoid valves ① and ③. This shuts off the water inlet and prevents any more water from flowing into the appliance. Water in the suds container is pumped away.

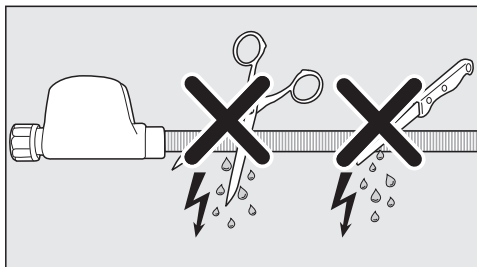
# Installation

## Special features of the water inlet hose

 Risk of electric shock from mains voltage.

There are live electrical components in the water inlet hose.

The water inlet hose must never be connected in an area subject to spray water, e.g. from a bath or shower.



## Electronic module and casing

### - Drainage protection:

Any leaking water from the washing machine is collected in the floor tray **④** in the base of the machine. The float switch **⑤** signals the water in the floor tray to the electronic module **⑥**. The electronic module closes the solenoid valves **①** and **③**. This shuts off the water inlet and prevents any more water from flowing into the appliance. In addition, the electronic module **⑥** activates the drain pump **⑦** and the water in the suds container is pumped away.


### - Overflow protection:

The electronic module constantly monitors the water level in the washing machine. If the water level exceeds a certain level, the drain pump **⑦** switches on and pumps the excess water away. Should the water level rise repeatedly in an uncontrolled way, the drain pump **⑦** will switch on continuously and the washing machine indicates a fault, which is accompanied by a buzzer.

## Drain hose

The drain hose is protected by a ventilation system which prevents the machine from being emptied completely.

## Water inlet

 Health risk and risk of damage due to contaminated mains water. The quality of the water used must correspond to the drinking water specification of the country in which the washing machine is being operated. Always connect the washing machine to potable water.

The water connection pressure needs to be between 100 kPa (1 bar) and 1000 kPa (10 bar). If the water connection pressure exceeds 1000 kPa (10 bar), a pressure reducing valve must be installed.

Connection to the water supply should incorporate a tap with a  $\frac{3}{4}$ " threaded union. If a tap is not available, only a qualified installer may connect the washing machine to the mains water supply.

## Hot water

The preferred temperature is 55°C. The temperature must not exceed 60°C. Consult a qualified plumber if the temperature exceeds 60°C.

## Connecting water inlet hoses


- Screw the water inlet hoses with the nut onto the thread of the taps.

To prevent damage to the inner hose, hold the valve casing firmly and turn the nut.

- Slowly turn on the taps and check the connections for leaks.
- Correct the position of the seal and screw thread if necessary.

## Maintenance

Only use a **Miele Waterproof system** hose should you need a replacement.

 Damage caused by dirty water. This washing machine has a filter in the hose connection to the casing to protect the solenoid valves. This filter must not be removed.

## Hose extension

A 1.5 m long (metal) extension hose is available from Miele Customer Service as an accessory.

This metal extension hose is tested to withstand burst pressures of up to 14,000 kPa (140 bar) and can be used as a flexible extension to the water supply pipe.

# Installation

## Drainage

The suds are drained through a drain pump with a 1 m high delivery head. For the water to drain freely, the hose must be free of kinks.

If required, the hose can be extended to a length of up to 5 m. The necessary parts can be ordered from Miele Customer Service.

For a delivery head of more than 1 m (up to a max. of 1.8 m), a replacement drain pump will need to be fitted. Please contact Miele for advice. For a delivery head of 1.8 m, the hose can be extended to a length of up to 2.5 m. The necessary parts can be ordered from Miele Customer Service.

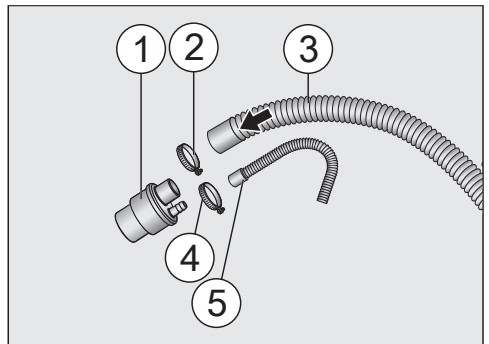
### Drain hose connection options

1. Connect the drain hose to a plastic drain pipe
2. Connect the drain hose to a sink
3. Route the drain hose to a floor drain (gully)
4. Hang the drain hose in a sink or basin

## Drain adapter

Miele offers a drain adapter for connection to a plastic drain pipe or sink as an optional accessory (please note the drain adapter may not be available in all countries). The drain adapter offers the option of connecting only the washing machine or the washing machine together with the tumble dryer.

### Connecting the hoses to the drain adapter



- ① Drain adapter
- ② Hose clip
- ③ Washing machine drain hose
- ④ Hose clip
- ⑤ Tumble dryer drain hose

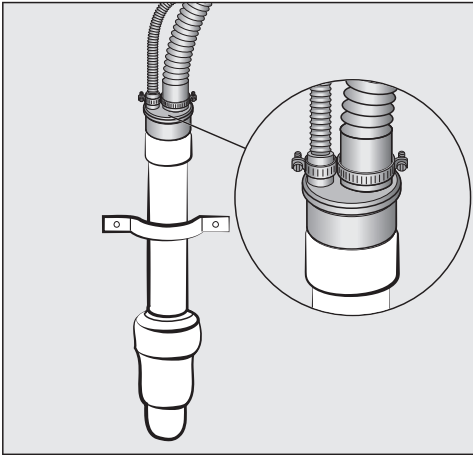
- Connect the hoses to the drain adapter as shown in the image.
- Secure the hoses with hose clips.

## Connecting to the plastic drain pipe

The drain adapter fits onto a standpipe with a diameter of DN 40 or DN 50.

The maximum delivery head of the washing machine is 1 m. The length of the drain hose must not exceed 2.5 m.

**Useful tip:** The sealing ring supplied with the drain adapter must not be used.

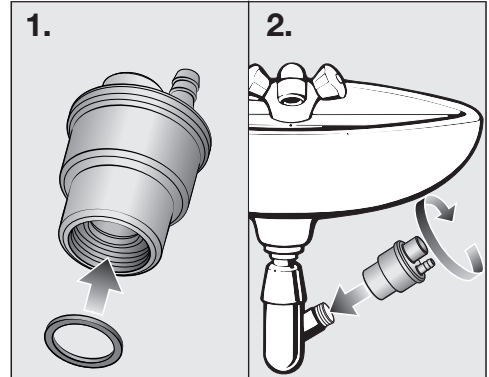


- Insert the drain adapter in the plastic drain pipe.

## Connecting to the sink

It is possible to connect to a sink drain outlet using a 1 1/2" thread.

**Useful tip:** Ensure that the seal is inserted in the adapter.

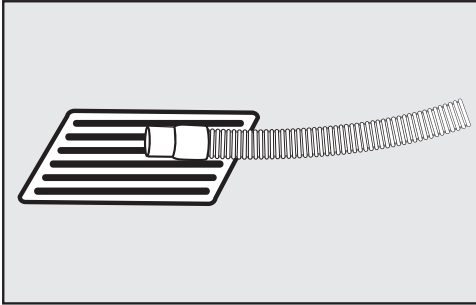


- Insert the seal in the drain adapter.
- Screw the adapter onto the sink drain outlet.

# Installation

## Routing the drain hose to a floor drain (gully)

**Useful tip:** The maximum drain length is 5 m.

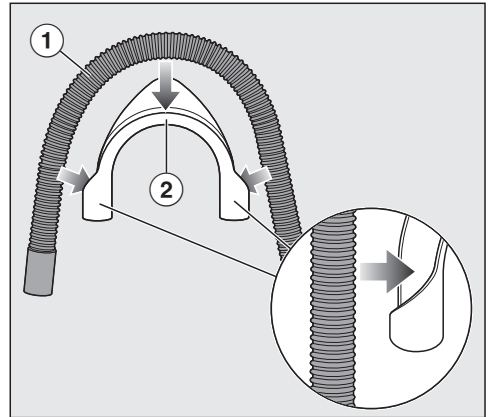


- Place the drain hose on the floor drain.
- If necessary, secure the hose to prevent it from slipping.

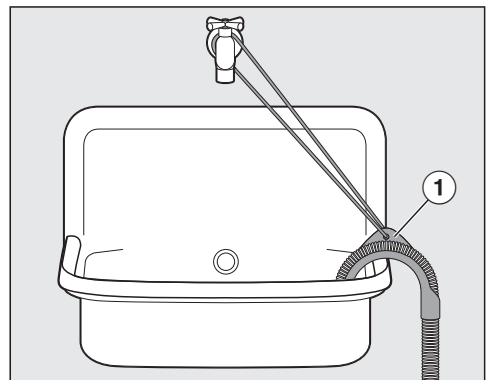
## Hanging the drain hose in a sink or basin

If drainage is via the sink, rapid drainage must be guaranteed. Otherwise there is a risk of flooding or backsiphonage into the washing machine.

**Useful tip:** To prevent the drain hose from slipping, use the enclosed elbow.



- Place the drain hose ① in the elbow ②.



- Hang the drain hose over the sink.
- Secure the elbow from slipping using a strap and the eyelet ①.

## Electrical connection

The washing machine is supplied with a mains cable with moulded plug ready for connection to a switched socket.

The socket should be easily accessible after the machine has been installed. If the switch is not accessible after installation, an additional means of disconnection must be provided for all poles.

 Risk of fire from overheating!

Connecting the washing machine to a multi-socket plug adapter or to an extension lead can overload the cable.

Do not use an extension lead or multi-socket plug adapter.

All electrical work must be carried out by a suitably qualified and competent person, in strict accordance with national and local safety regulations.

For extra safety, it is advisable to install a suitable residual current device (RCD) with a trip current of 30 mA. Ensure power is not supplied to the appliance until after the installation has been completed.

If the mains connection cable is damaged, it must only be replaced with a specific mains connection cable of the same type (available from Miele). For safety reasons, such replacement may only be carried out by a suitably qualified and competent technician or by a Miele authorised service technician, in order to avoid a hazard.

The data plate indicates the nominal power consumption and the appropriate fuse rating. Compare this information with the data of the on-site electrical connection.

If in any doubt, consult a qualified electrician.

Temporary or permanent operation with a self-sufficient or non-mains synchronous energy supply system (e.g. isolated networks, back-up systems) is possible. A requirement for the operation is that the energy supply system complies with all current local and national requirements that apply to stand-alone, solar and/or battery systems.

The protective measures provided in the domestic installation and in this Miele product must also be assured in their function and operation in isolated operation or in non-mains synchronous operation, or replaced with equivalent measures in the installation.

# Installation

---

## Technical data

Height	850 mm
Width	596 mm
Depth	620 mm
Depth with door open	1087 mm
Height for building under	850 mm
Width for building under	600 mm
Depth for building under	600 mm
Weight	Approx. 95 kg
Capacity	10.0 kg dry laundry
Supply voltage	See data plate
Rated load	See data plate
Fuse rating	See data plate
Consumption data	See "Programmes - Consumption data"
Minimum water connection pressure	100 kPa (1 bar)
Maximum water connection pressure	1000 kPa (10 bar)
Water inlet hose length	1.60 m
Drain hose length	1.50 m
Length of power supply cord	2.00 m
Maximum delivery head	1.00 m
Maximum drainage length	5.00 m
LEDs	Class 1
Test certifications awarded	See data plate
Power consumption when switched off	0.50 W
Networked standby	2.00 W
Frequency range	2.4000–2.4835 GHz
Maximum transmission power	< 100 mW

**Miele Australia Pty. Ltd.**

ACN 005 635 398

ABN 96 005 635 398

Level 4, 141 Camberwell Road  
Hawthorn East, VIC 3123

**1300 464 353 (1300 4 MIELE)**

**info@miele.com.au**

**www.miele.com.au**

**Miele New Zealand Limited**

IRD 98 463 631

8 College Hill  
Freemans Bay, Auckland 1011

**0800 464 353 (0800 4 MIELE)**

**customercare@miele.co.nz**

**www.miele.co.nz**

**Miele Global Headquarters**

**Germany**

**Miele & Cie. KG**

Carl-Miele-Straße 29

33332 Gütersloh

Federal Republic of Germany

WQ 1200 WPS

en-AU, NZ

M.-Nr. 12 702 642 / 00 / 002