

N 70, BUILT-IN OVEN, 60 X 60 CM,
GRAPHITE-GREY
B54CR71G0B



Z11AB15A0 Baking tray, non-stick ceramic coated, Z11AU15A0 Universal pan, non-stick ceramic coated, Z11CR10X0 Baking and roasting grid (standard), Z11GU20X0 Glasspan, Z11SZ00X0 SeamlessCombination mounting kit, Z11SZ80G0 SeamlessCombination 60 + 29cm, Z11SZ90G0 SeamlessCombination 60 + 45cm, Z12CB10A0 Baking tray, enamelled, Z12CL10A0 Lid for professional pan, enamelled, Z12CM10A0 Moussaka pan, enamelled, Z12CN10A0 Professional pan, enamelled, Z12CP10A0 Pizza pan, enamelled, Z12CU10A0 Multipurpose pan, enamelled, Z1365WX0 Wireless food thermometer, Z13CR10X0 Baking and roasting grid (steam), Z13CV06S0 Decor strip, Z1608CX0 Full ext rails, level independent, pyro, Z1650BE0 Half tray, Z1655CA0 Air Fry & Grill tray, Z1913X0 Baking Stone

Built-in oven with Slide & Hide® - an easy to handle door that gently disappears under the oven. Home Connect - control your oven via the App.

- ✓ 3,7" Full Touch TFT Display - Intuitive navigation for easy use and complete control.
- ✓ Slide & Hide® - An easy to handle door that disappears under the oven for unrestricted access.
- ✓ Circo Therm - smart hot-air solution that lets you bake on up to three levels at once.
- ✓ Pyrolytic Self-Cleaning with Easy Clean: The best duo for optimal cleaning.
- ✓ Soft Open - for gently and quiet opening oven doors.

Color / Material Front: Graphite-Grey
 Built-in / Free-standing: Built-in
 Door opening: Drop down
 Cleaning : Pyrolytic+Hydrolytic
 Control Panel Material: Stainless steel
 Door Material: Glass
 Dimensions (HxWxD): 595x596x548 mm
 Dimensions of the packed product (HxWxD): . 670 x 660 x 690 mm
 Required niche size for installation (HxWxD): 585-595 x 560-568 x 550 mm
 Cavity dimensions: 357 x 480 x 415 mm
 Usable volume of cavity: 71 l
 Number of interior lights: 1
 Net weight: 39.9 kg
 Gross weight: 42.6 kg
 EAN code: 4242004265924
 Connection Rating: 3600 W
 Fuse protection: 16 A
 Voltage: 220-240 V
 Frequency: 50; 60 Hz
 Length electrical supply cord: 120.0 cm



*N 70, BUILT-IN OVEN, 60 X 60 CM,
GRAPHITE-GREY
B54CR71G0B*

Heating Functions

- Oven with 14 cooking functions: CircoTherm®, Top/bottom heating, Circo-roasting, Full surface grill, Centre area grill, Pizza Setting, Bread Baking, Bottom heating, Low temperature cooking, Dough proving, Plate warming, Keep warm, CircoTherm® gentle, Top/bottom heating gentle
- Heating methods only via Home Connect App: air fry, let rest, preheating
- Temperature range 40 °C - 275 °C
- Cavity volume: 71 net usable litres

Racks and Rails

- Number of shelf levels: 4
- Large capacity oven with shelf supports, Telescopic shelf rails available as optional accessory, pyrolytic proof

Design

- Graphite-Grey Edition
- ShiftControl
- Cavity inner surface: enamel

Cleaning

- Pyrolytic self cleaning
- EasyClean® program
- Full glass inner door - safer touch door

Convenience

- Oven Assistant with Voice Control
- 3.7" Full Touch TFT Display
- Electronic clock with start / stop function
- Automatic temperature proposal, Actual temperature display, Optical temperature control
- Hide®, the fully retracting oven door
- Slide®, the revolving handle
- SoftOpen
- Automatic Meal Settings
- Rapid heat-up
- LED light
- Cooling fan
- HomeConnect

Accessories

- 2 x combination grid, 1 x universal pan

Safety Features

- Maximum door temperature 30° C
- Quadruple glazed CoolTouch door
- Automatic door lock during pyrolysis, Individual adjustable child lock, Safety switch off, Residual heat indicator, Start button, Door contact switch

Technical Information

- Length of mains cable: 120 cm
- Nominal voltage: 220 - 240 V

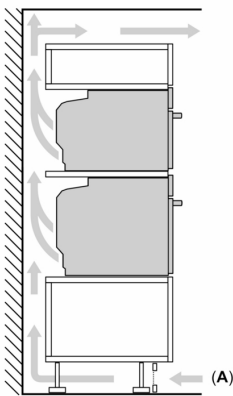
- Total connected load electric: 3.6 KW

Dimensions

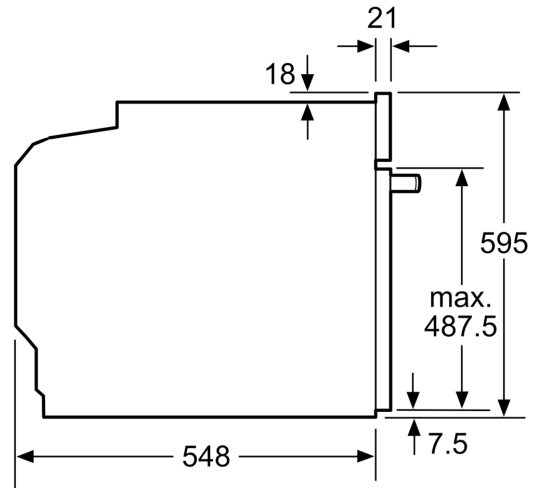
- Appliance dimensions (HxWxD): 595 mm x 596 mm x 548 mm
- Installation dimensions (HxWxD): 585 mm - 595 mm x 560 mm - 568 mm x 550 mm
- Please reference the built-in dimensions provided in the installation drawing

N 70, BUILT-IN OVEN, 60 X 60 CM,
GRAPHITE-GREY
B54CR71G0B

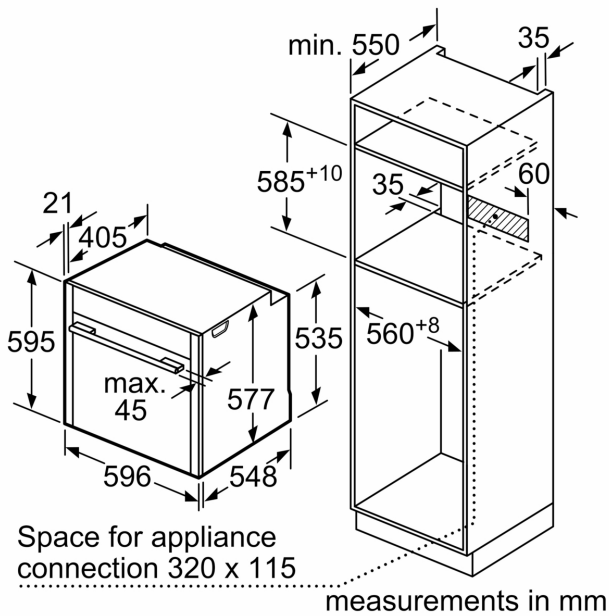
Installing two appliances on top of each other
Air exchange



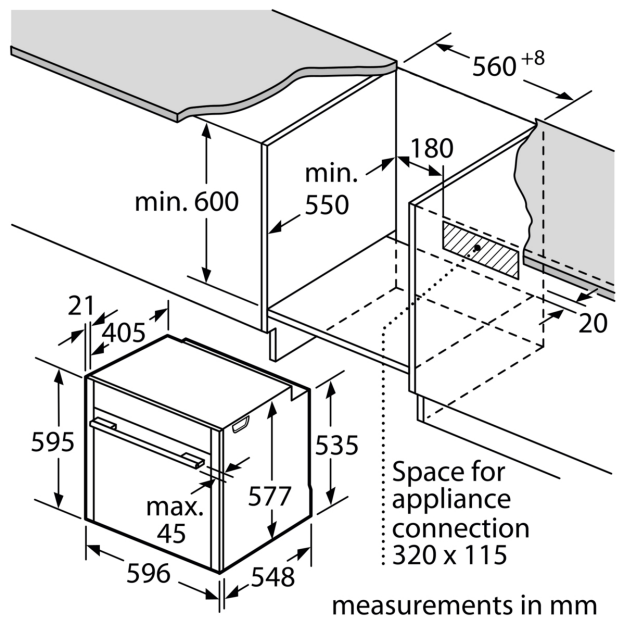
A: Air inlet $\geq 200 \text{ cm}^2$



measurements in mm



measurements in mm



measurements in mm

If the appliance will be installed underneath a hob, the following worktop thicknesses (including substructure if necessary) must be taken into account.

Hob type	min. worktop thickness	
	fitted	flush
Induction hob	37 mm	38 mm
Full surface Induction hob	47 mm	48 mm
Gas hob	30 mm	38 mm
Electric hob	27 mm	30 mm