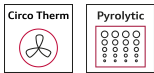


N 50, BUILT-IN DOUBLE OVEN
U2ACH7AG7A



Double built-in oven - perfect for grilling, baking and roasting of multiple dishes at the same time.

- ✓ CircoTherm® – The smart hot-air function lets you bake on up to three levels at once and achieve even cooking results.
- ✓ Pyrolytic Self-Cleaning with Easy Clean: The best duo for optimal cleaning.
- ✓ LCD-Display – simple, straightforward with large characters for clear reading
- ✓ Home Connect - Control your oven via the App.
- ✓ Remote Monitoring and Control - Keep an eye on your oven from any room in the house!

Color / Material Front: Graphite-Grey
 Built-in / Free-standing: Built-in
 Cleaning : Pyrolytic
 Dimensions (HxWxD): 888x594x550 mm
 Dimensions of the packed product (HxWxD): . 960 x 660 x 690 mm
 Control Panel Material: Glass
 Door Material: Glass
 Net weight: 58.7 kg
 Usable volume of cavity: 71 l
 Heating functions: Bread Baking Setting, Full width grill, Hot air gentle, Hot Air, Conventional heat, Pizza setting, Bottom heat, Hot Air grilling
 Oven control: electronic
 Number of interior lights: 1
 EAN code: 4242004281795
 Energy efficiency rating: A
 Energy consumption per cycle conventional (2010/30/EC): 1.02 kWh/cycle
 Energy consumption per cycle forced air convection (2010/30/EC): 0.81 kWh/cycle
 Energy efficiency class (2010/30/EC) - cavity 2: B
 Energy consumption per cycle conventional - cavity 2 (2010/30/EC): 0.83 kWh/cycle
 Energy efficiency index (2010/30/EC): 95.3 %
 Energy efficiency index cavity 2 (2010/30/EC): 120.3 %
 Connection Rating: 6300 W
 Fuse protection: 32 A
 Voltage: 220-240 V
 Frequency: 50 Hz
 Plug type: no plug, fixed connection
 Included accessories cavity 1: ... 3 x combination grid, 1 x universal pan

Z11AB15A0 Baking tray, non-stick ceramic coated, Z11AU15A0 Universal pan, non-stick ceramic coated, Z11CR10X0 Baking and roasting grid (standard), Z11GU20X0 Glasspan, Z11TI15X0 Cliprails, Z12CB10A0 Baking tray, enamelled, Z12CL10A0 Lid for professional pan, enamelled, Z12CM10A0 Moussaka pan, enamelled, Z12CN10A0 Professional pan, enamelled, Z12CP10A0 Pizza pan, enamelled, Z12CU10A0 Multipurpose pan, enamelled, Z1365WX0 Wireless food thermometer, Z1608BX0 Full ext rails, level independent, Z1650BE0 Half tray, Z1655CA0 Air Fry & Grill tray, Z1913X0 Baking Stone



N 50, BUILT-IN DOUBLE OVEN U2ACH7AG7A

Heating Functions

Top Oven

- Oven with 4 heating methods: Top/bottom heating, Full surface grill, Centre area grill, Bottom heating
- Temperature range 30 °C - 275 °C
- Cavity volume: 34 l

Main Oven

- Oven with 8 heating methods: CircoTherm®, Top/bottom heating, Circo-roasting, Full surface grill, Pizza Setting, Bread Baking, Bottom heating, CircoTherm® gentle
- Heating methods only via Home Connect App: let rest, preheating
- Temperature range 30 °C - 275 °C
- Cavity volume: 71 net usable litres

Racks and Rails

Top oven

- Number of shelf levels: 3 PC

Main oven

- Number of shelf levels: 4
- Large capacity oven with shelf supports, Telescopic shelf rails available as optional accessory

Design

- Rotary Control, Retractable control knobs
- Cavity (inner surface) top: Enamel grey

Cleaning

Top oven

- Full glass inner door

Main oven

- Pyrolytic self cleaning
- EasyClean® program
- Full glass inner door

Convenience

- LCD-display control (white)
- Electronic clock with start / stop function
- Automatic temperature proposal
- automatic start Optical temperature control Actual temperature display Sabbath setting
- Halogen lighting, Oven cavity illumination On/Off function
- Bar handle

Top oven

- Door hinge top: bottom

Main oven

- Door hinge main: Drop down door
- Rapid heat-up
- Cooling fan
- HomeConnect

Accessories

- 3 x combination grid, 1 x universal pan

Safety Features

Top Oven

- Very low door temperature

Main Oven

- Maximum door temperature 30° C
- Automatic door lock during pyrolysis, Individual adjustable child lock, Safety switch off, Residual heat indicator, Door contact switch

Technical Information

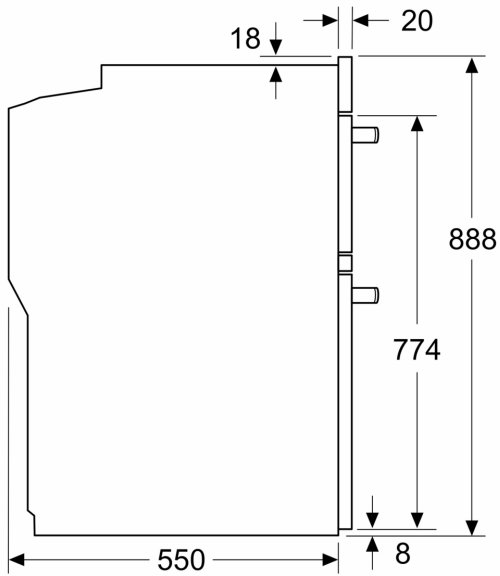
- Nominal voltage: 220 - 240 V
- Total connected load electric: 6.3 KW

Dimensions

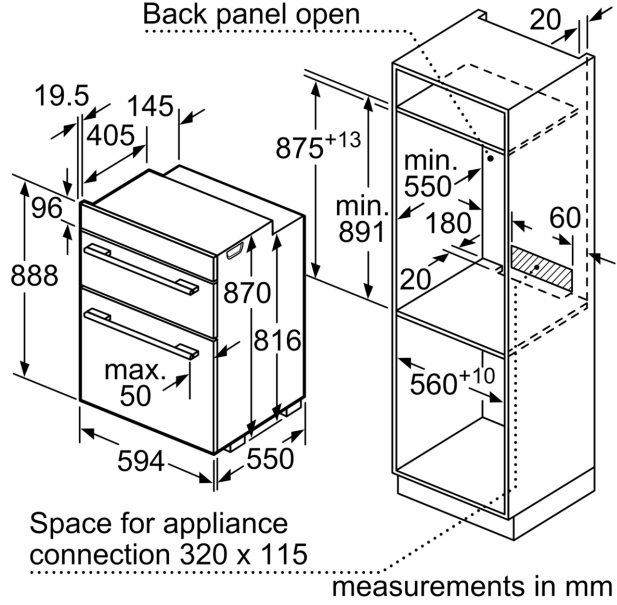
- Appliance dimensions (HxWxD): 888 mm x 594 mm x 550 mm
- Installation dimensions (HxWxD): 875 mm - 888 mm x 560 mm - 568 mm x 550 mm
- Please reference the built-in dimensions provided in the installation drawing

N 50, BUILT-IN DOUBLE OVEN
U2ACH7AG7A

measurements in mm



Back panel open



measurements in mm