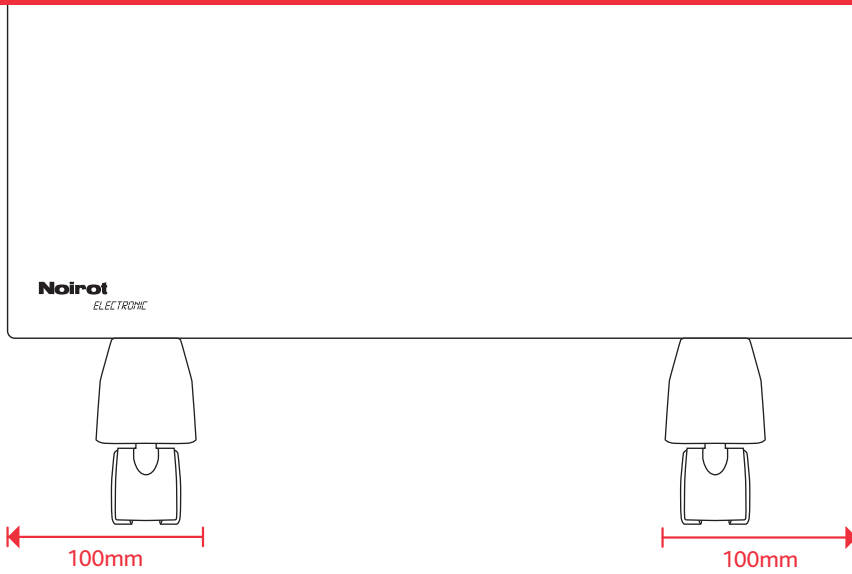


# NOIROT

*A warmth you can trust.*

## NOIROT CASTOR INSTALLATION INSTRUCTIONS

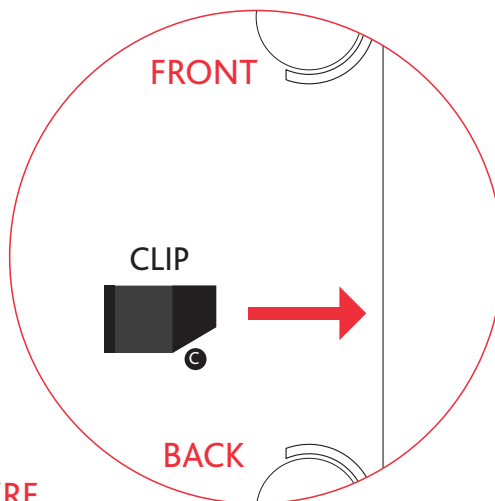
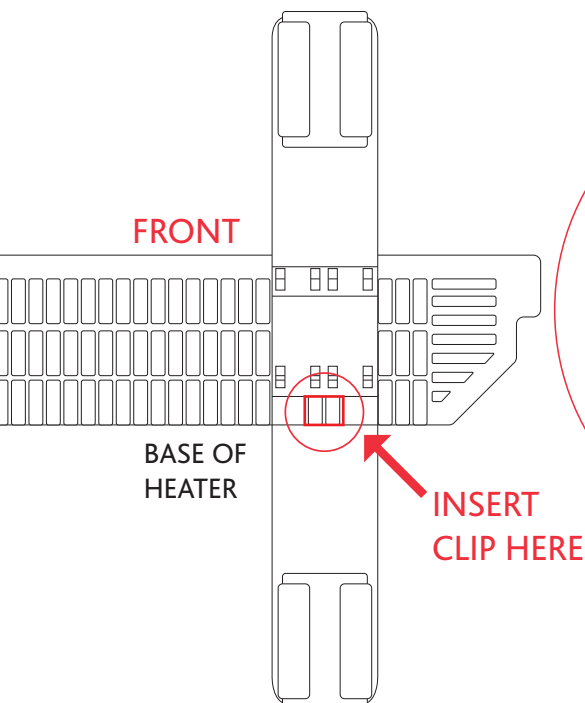
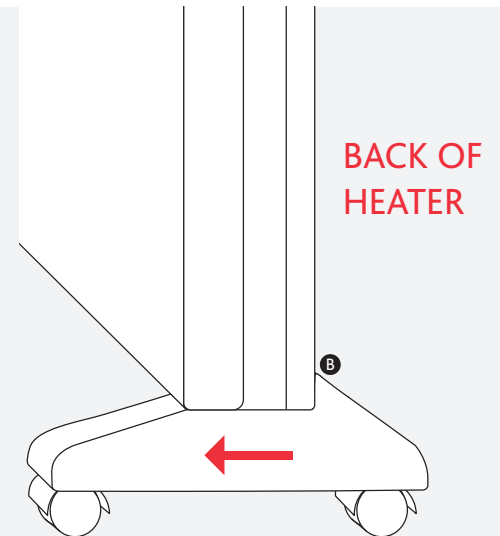
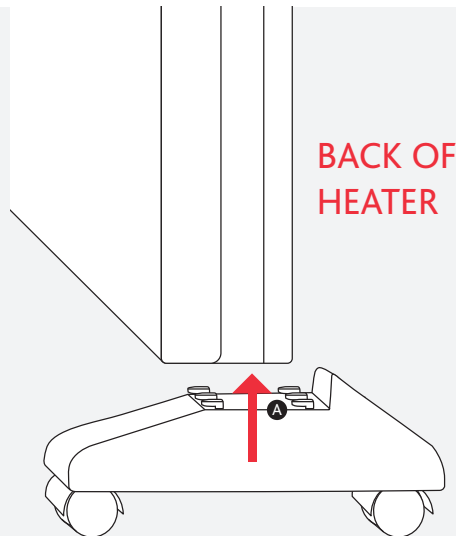
Castors can only be used with all Noirot Spot Plus and Evolution models only \*\*NB Excludes Evolution Skirting  
Both castors must be used.



Castors should be fitted a maximum 100mm (4 inches) from the edge of the heater.

### STEP 1

Position lugs **A** into heaters bottom grill and slide the castor forward until back of the heater is hard against the upright of the castor. **B**



### STEP 2

Align clip with the rear slots in base of castor and press down until it clicks into place.

**NOTE:** To remove or readjust clip use a flat head screwdriver..

**IMPORTANT:** If you are not using castors, your heater must be fitted to the wall with the bracket supplied.

**C** Tapered part of clip must face the back of heater.