
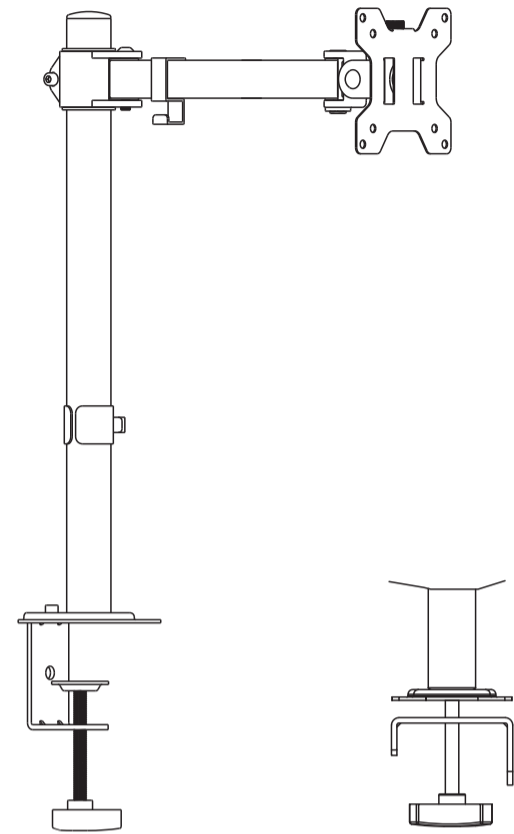
 Read the entire instruction manual before you start installation and assembly. If you have any questions regarding any of the instructions or warnings, please contact your local distributor for assistance.

 **CAUTION:** Use with products heavier than the rated weights indicated may result in instability causing possible injury.

- Mounts must be attached as specified in assembly instructions. Improper installation may result in damage or serious personal injury.
- Safety gear and proper tools must be used. This product should only be installed by professionals.
- Make sure that the supporting surface will safely support the combined weight of the equipment and all attached hardware and components.
- Use the mounting screws provided and **DO NOT OVER TIGHTEN** mounting screws.
- This product contains small items that could be a choking hazard if swallowed. Keep these items away from children.
- This product is intended for indoor use only. Using this product outdoors could lead to product failure and personal injury.

IMPORTANT: Ensure that you have received all parts according to the component checklist prior to installation. If any parts are missing or faulty, telephone your local distributor for a replacement.

MAINTENANCE: Check that the bracket is secure and safe to use at regular intervals (at least every three months)



OTMA1-E

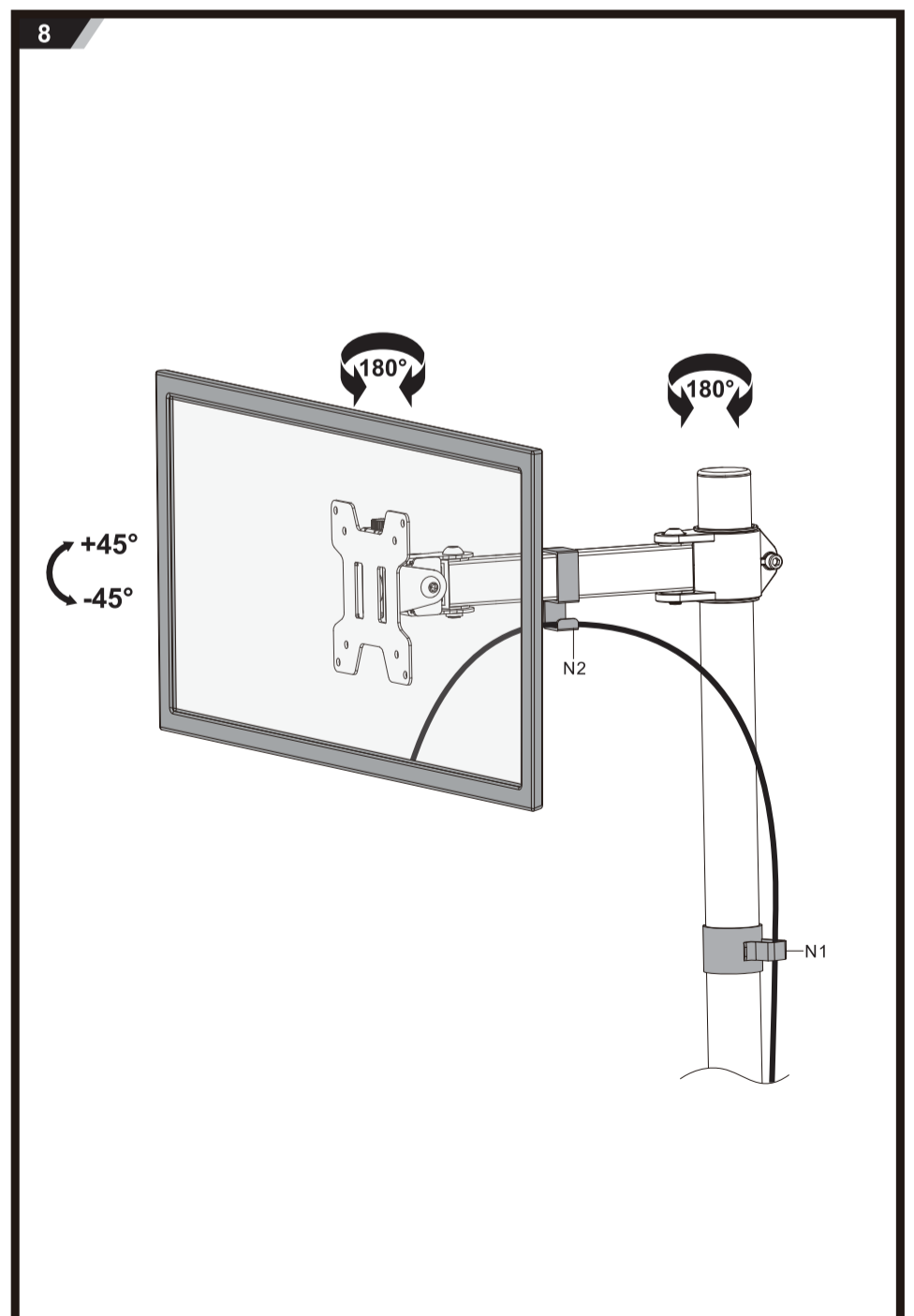
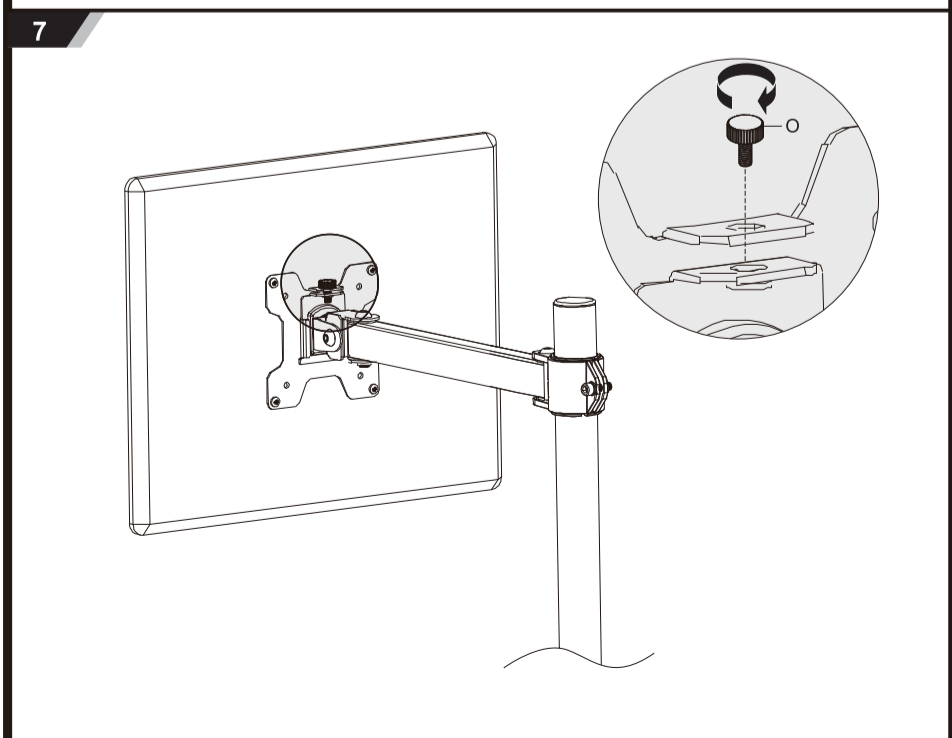
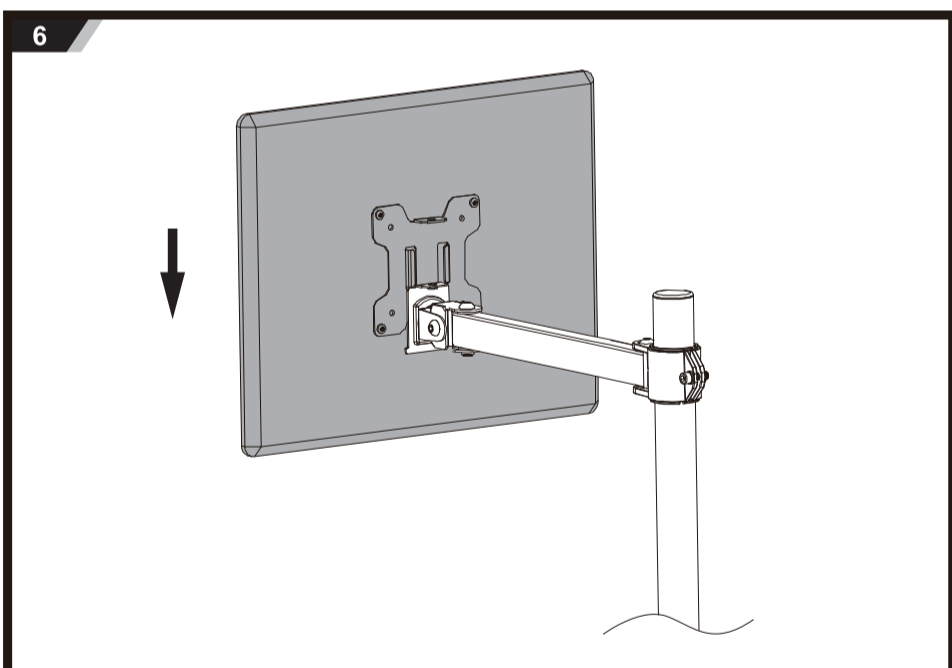


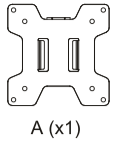
75x75
100x100

32"
MAX



8kg
RATED

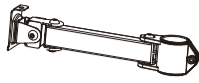




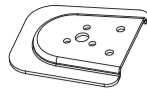
A (x1)



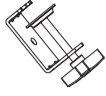
B (x1)



C (x1)



D (x1)



E (x1)



Wire Clip
N1



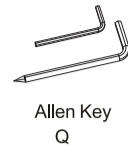
Wire Clip (x2)
N2



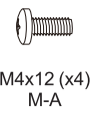
Thumb Bolt (x1)
O



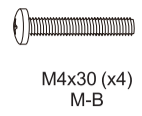
M6x8 (x2)
P



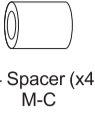
Allen Key
Q



M4x12 (x4)
M-A

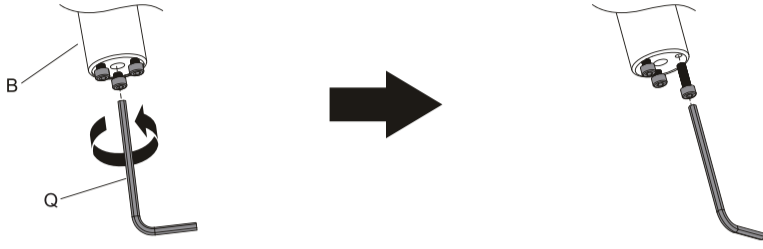


M4x30 (x4)
M-B

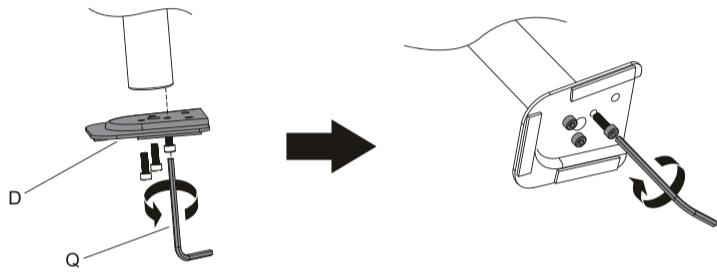


M4 Spacer (x4)
M-C

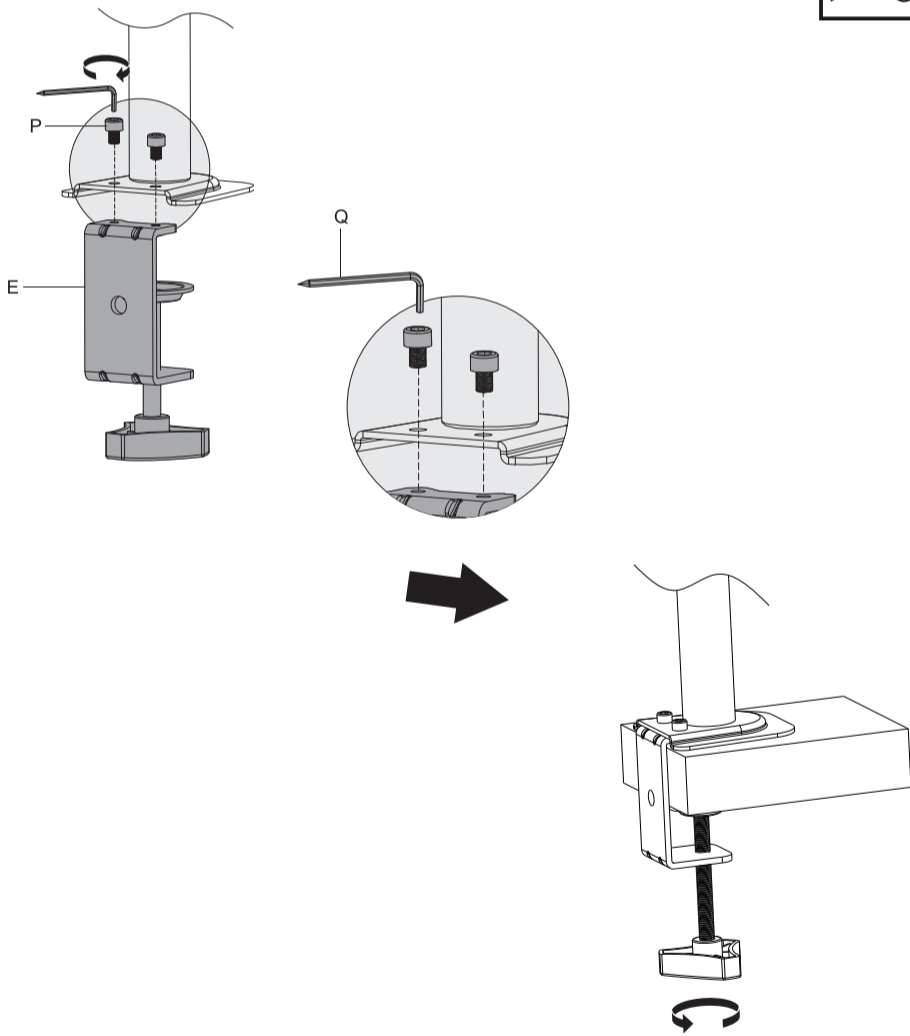
1



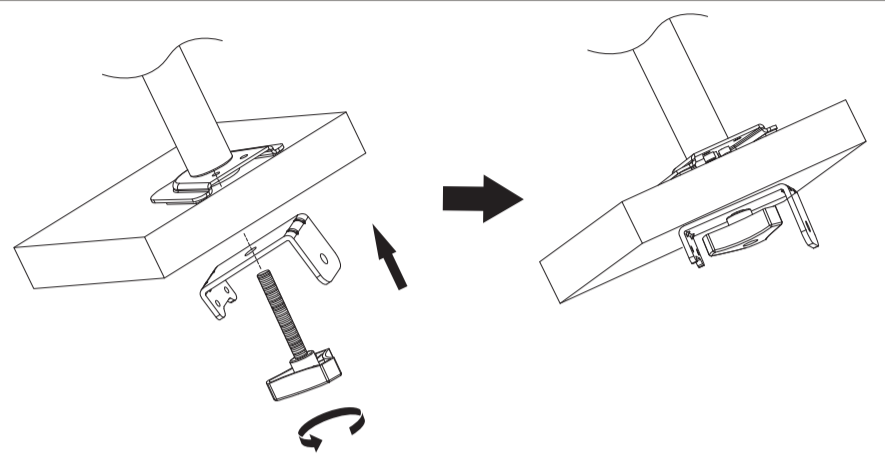
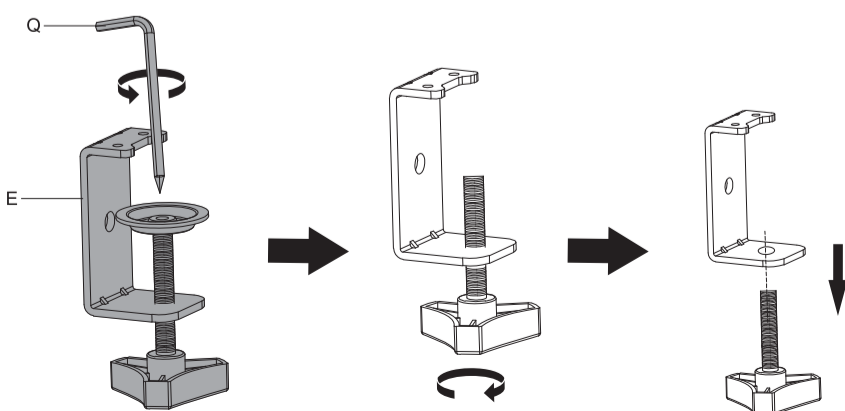
2



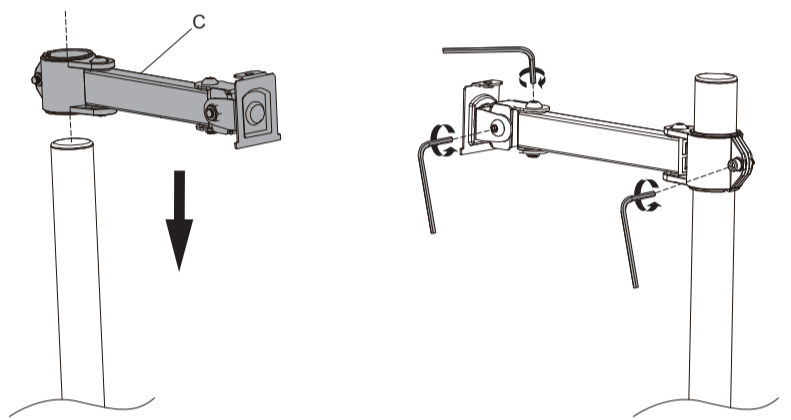
3a



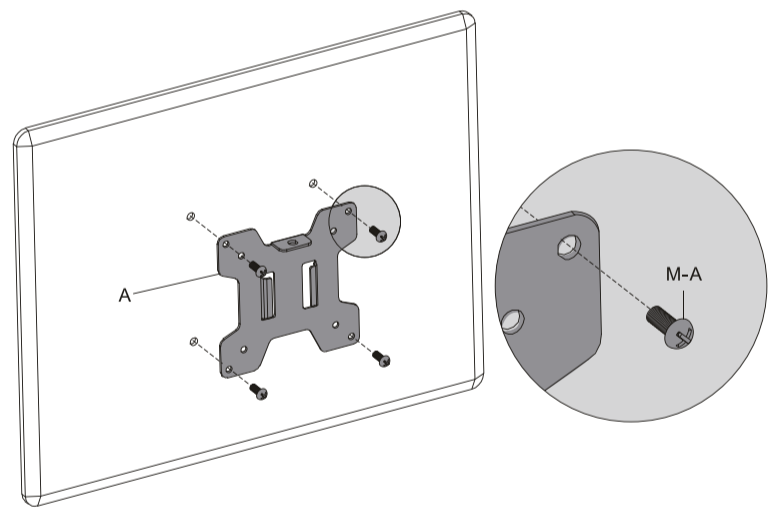
3b



4



5a



5b

