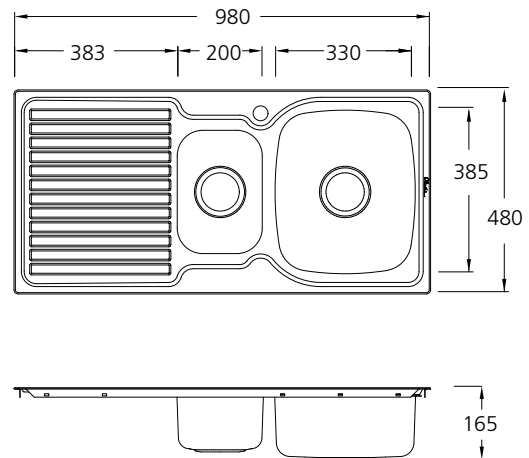


# EE02

## Tasman Endeavour

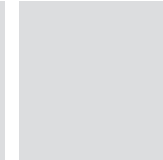
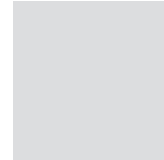
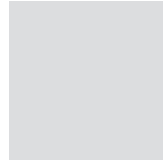
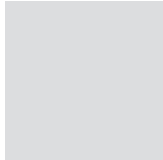
Oliveri®

### RIGHT HAND BOWL



### INCLUDED ACCESSORIES

AC14



### RECOMMENDED TAPWARE

PS113



WELS 4 star  
7.5 L per min

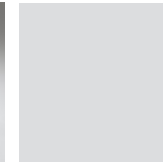
MA4010



WELS 4 star  
7.5 L per min

### OPTIONAL ACCESSORIES

AC01



### SPECIFICATIONS

#### Description

1 & 1/2 bowl inset sink with drainer

#### Sink Size

980W x 480H

#### Main Bowl

330W x 385H x 155D / 17L

#### 1/2 Bowl

200W x 290H x 130D / 7L

#### Construction

2 piece, bowls & drainer seam welded

#### Material

304 grade, 18/10 polished stainless steel (0.8mm thick)

#### Installation

Topmount only

#### Fixings

Adjustable clips supplied, sealing gasket fitted

#### Cut Out Template

960 x 460 x 15mm radius

#### Min Cabinet Size

600mm

#### Tap holes

1 tap hole (for no tap hole order product code 'EE00')

#### Waste fittings

2 x 90mm basket waste included

#### Overflow

Special order option available

#### Carton Size

1020 x 520 x 190mm

#### Weight

6.0kg

#### Warranty

Lifetime manufacturer's warranty (refer to oliverisinks.com)

For more information call **1300 13 7465** or visit **www.oliverisinks.com**

