

102 Can Freestanding Beverage Centre

Single Zone

AESTHETICS

Black Powder Coated Finish

UV Double Glazed Door

FUNCTIONALITY

Inverter Compressor

Digital Control Panel

Tropical Rated

Ambient Temp. up to 43°C

Internal LED Lighting

Anti-vibration

Reversible Door

Door Lock

STORAGE CAPACITY

Can Capacity 102 Cans

Total Capacity 98L

TEMPERATURE RANGE

Single Zone 0°C to 22°C

ACCESSORIES

4 × Wire Shelves

CLEANING

Easy to Clean Exterior

Easy to Clean Glass Doors

Automatic Defrost

WEIGHT (KG)

Net: 29kg Gross: 32kg

MAX NOISE LEVEL

Quiet 39 dB(A) Operation

CONSUMPTION

Energy Rating (MEPS) 2.5 Stars

Energy Consumption 110 kWh/year

SIZE, W/D/H (MM)

Packaged: 535 × 541 × 890

Physical: 470 × 475 × 840

INSTALLATION

Freestanding

Door Open Angle: 180°

Door Open Width: 917 mm

Top Clearance Minimum 5cm

Rear/Top Clearance Minimum 5cm

POWER REQUIREMENTS

Power Connection 10 Amp, Plug

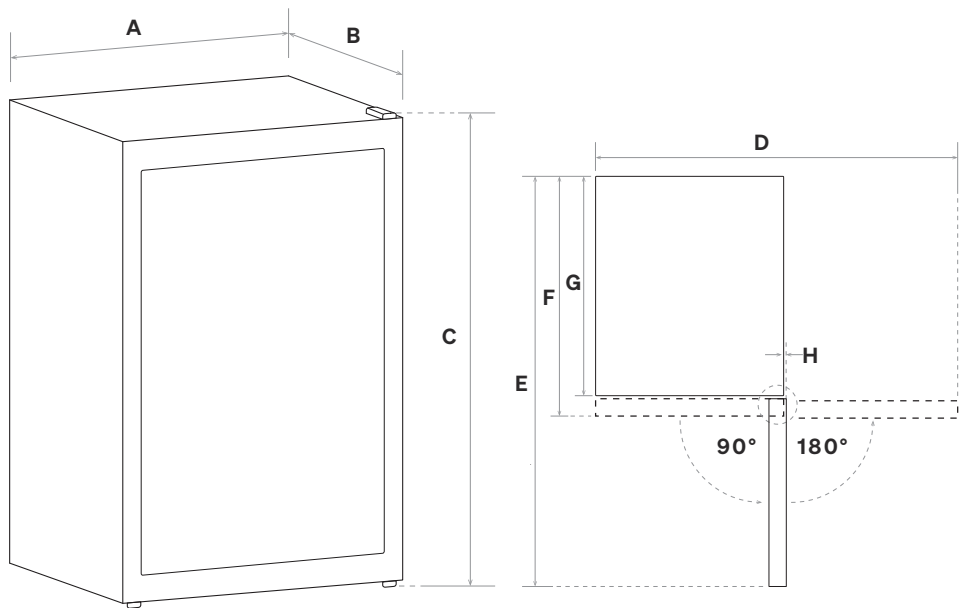
Rated Voltage 220–240V~

Rated Frequency 50Hz

ADDITIONAL DETAILS

Barcode 9349260095366

Warranty 3 Years



FRONT VIEW

Note: See the user manual for detailed ventilation and installation details

DIMENSIONS (MM)

A 470

C 840

E 915.8

G 426.2

B 475

D 917

F 474.3

H 5.5