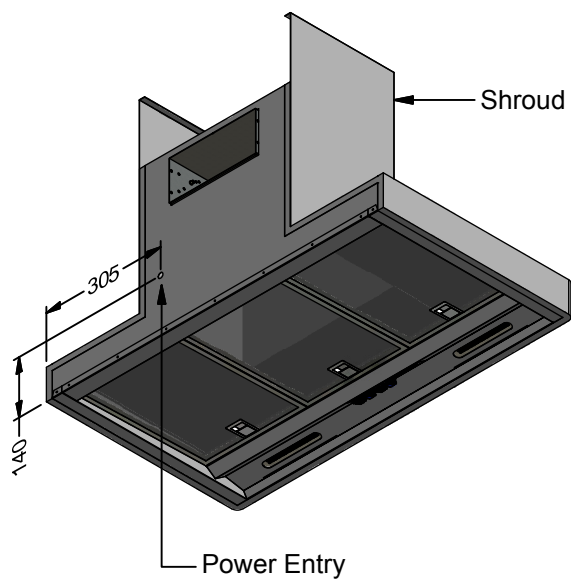
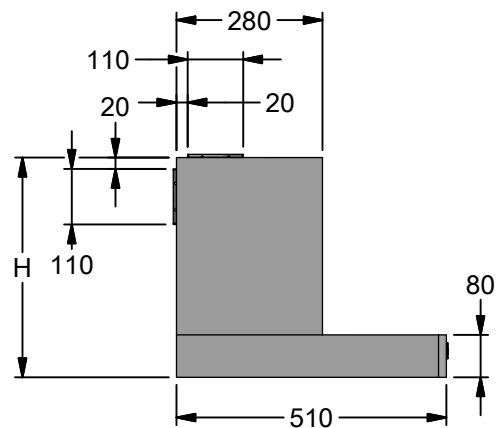
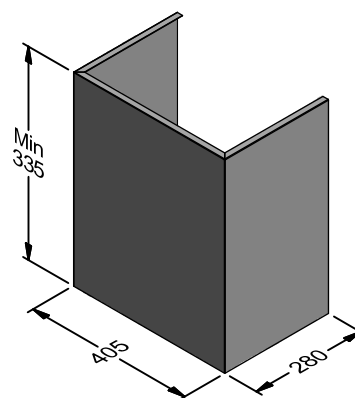


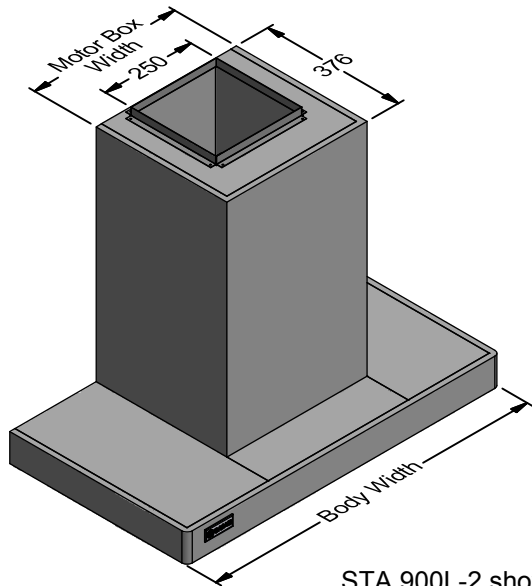
STA 900L-1 shown without shroud.



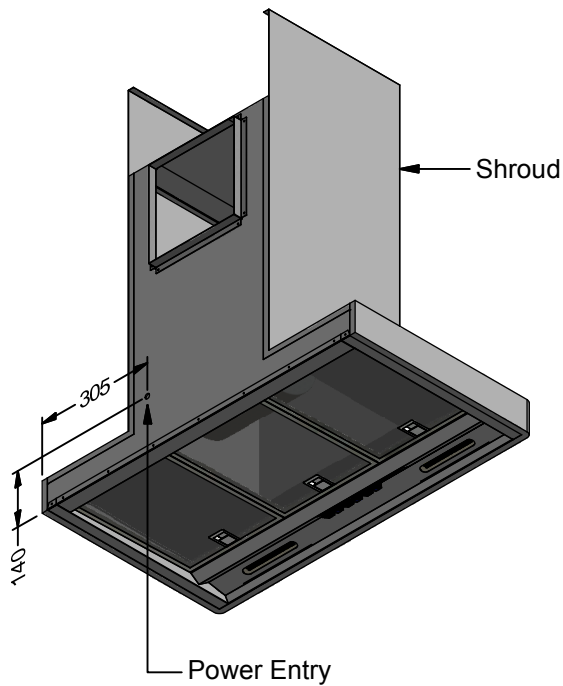
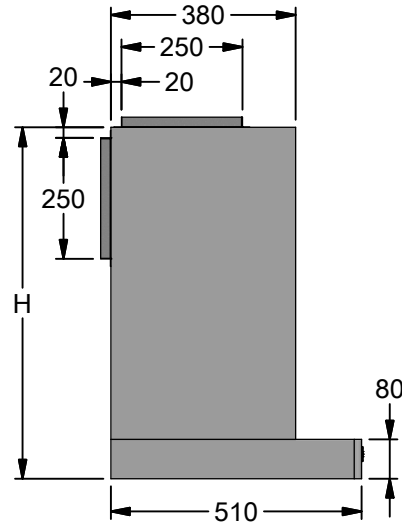
Shroud



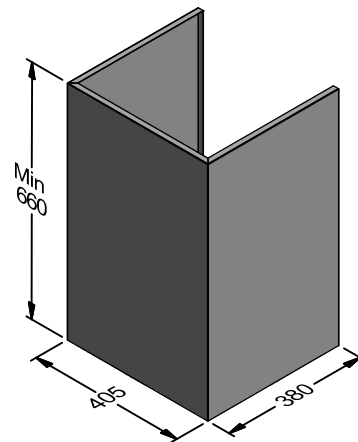
Model	STA 900L-1	Model	STA 900L-1
Body Width	900mm	Filter Size	272mm x 355mm
Motor Box / Flue Width	403mm	Conversion Top/Back Back/Top	YES
Motor Qty	1	Electrical Connection	Junction Box
LED Light	Cool	Minimum Height (H =)	415mm
Nightlight	YES	Maximum Height (H =)	1550mm
Light Qty	2	PowderKote® Available	YES
Light Centres	510mm	All-thread Fixing Centres	N/A
Filter Qty	3	Corner Type	Round
		Condari Pty Ltd.	Version: E 29/06/2016F Page 1 of 3



STA 900L-2 shown without shroud.

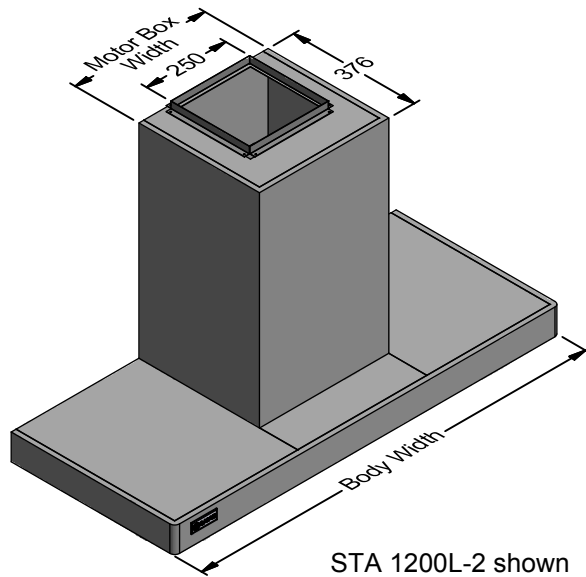


Shroud

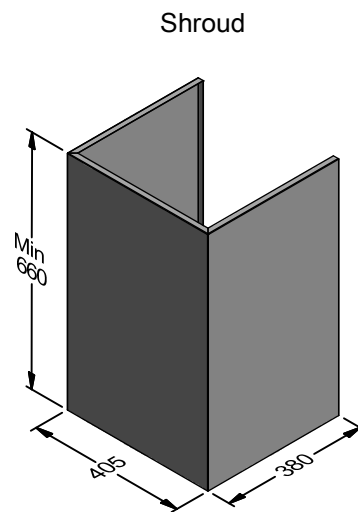
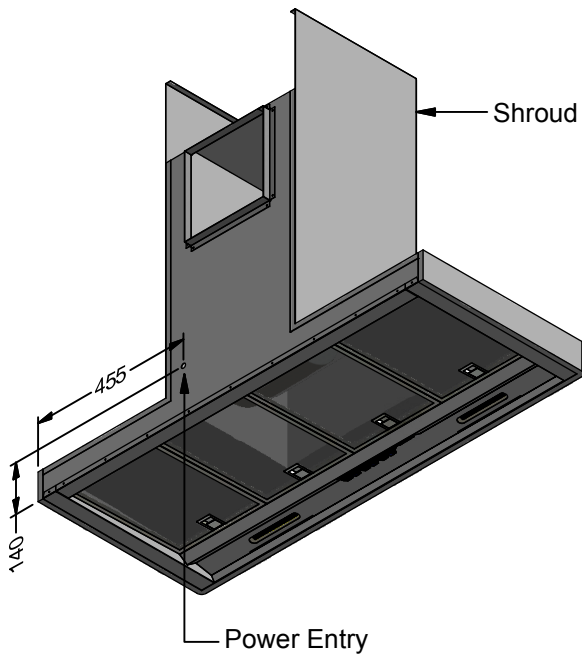
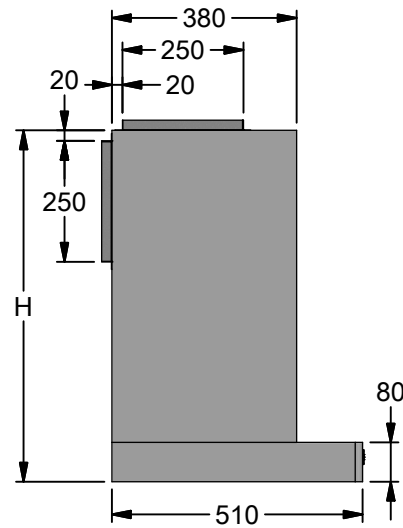


Rangehood is manufactured as top duct only. A conversion kit for back ducted is supplied.

Model	STA 900L-2	Model	STA 900L-2
Body Width	900mm	Filter Size	272mm x 355mm
Motor Box / Flue Width	403mm	Conversion Top/Back Back/Top	YES
Motor Qty	2	Electrical Connection	Junction Box
LED Light	Cool	Minimum Height (H =)	740mm
Nightlight	YES	Maximum Height (H =)	1550mm
Light Qty	2	PowderKote® Available	YES
Light Centres	510mm	All-thread Fixing Centres	N/A
Filter Qty	3	Corner Type	Round
		Condari Pty Ltd.	Version: E 29/06/2016F Page 2 of 3



STA 1200L-2 shown without shroud.



Rangehood is manufactured as top duct only. A conversion kit for back ducted is supplied.

Model	STA 1200L-2	Model	STA 1200L-2
Body Width	1200mm	Filter Size	272mm x 355mm
Motor Box / Flue Width	403mm	Conversion Top/Back Back/Top	YES
Motor Qty	2	Electrical Connection	Junction Box
LED Light	Cool	Minimum Height (H =)	740mm
Nightlight	YES	Maximum Height (H =)	1550mm
Light Qty	2	PowderKote® Available	YES
Light Centres	648mm	All-thread Fixing Centres	N/A
Filter Qty	4	Corner Type	Round
		Condari Pty Ltd.	Version: E 29/06/2016F Page 3 of 3