

iQ500, built-under dishwasher, 60 cm, Stainless steel SN45HS01CA



Outstanding dishwasher with Glasszone for treatment of delicate glasses and Home Connect

- ✓ varioSpeed on demand – for a cycle time up to two times as fast, connectable any time
- ✓ flexComfort baskets and drawers – for ease of use, effective glass protection and fast loading and unloading
- ✓ glassZone – Dedicated dishwasher zone that protects your glassware.
- ✓ Home Connect – Control your smart dishwasher, no matter where you are.
- ✓ Favourite button – Find your preferred dishwasher programs faster.

Features

Technical Data

Water consumption : 11.0 l
 Built-in / Free-standing : Built-in
 Height of removable worktop : 0 mm
 Dimensions of the product (HxWxD) : 815 x 598 x 573 mm
 Required niche size for installation (HxWxD) : 815-875 x 600 x 550 mm
 Depth with open door 90 degree : 1150 mm
 Adjustable feet : Yes - all from front
 Maximum adjustability feet : 60 mm
 Adjustable plinth : Both horizontal and vertical
 Net weight : 39.0 kg
 Gross weight : 41.0 kg
 Connection Rating : 2400 W
 Fuse protection : 10 A
 Voltage : 220-240 V
 Frequency : 50; 60 Hz
 Length electrical supply cord : 175 cm
 Plug type : AU plug
 Length inlet hose : 165 cm
 Length outlet hose : 190 cm
 EAN code : 4242003899243
 Number of place settings : 15
 Energy consumption : 0.65 kWh
 Total cycle time of reference programme : 195 min
 Noise level : 44 dB(A) re 1 pW
 Installation typology : Built-under



iQ500, built-under dishwasher, 60 cm, Stainless steel SN45HS01CA

Features

Capacity

- Capacity: 15 place settings place settings

Consumption rates

- 4 Star energy rating, 5.5 stars Star WELS water rating
- 11 litres water consumption per wash and 245 kWh energy consumption per year, based on the Eco AU 45 °C program with a cold water connection

Design

- Stainless steel interior tub
- Anti-fingerprint stainless steel finish
- SoftTouch buttons: Electronic soft-touch activated buttons

Wash Programs & Options

- 8 Programmes:
- Eco Wash: Energy efficient wash & dry for mixed loads & soil levels,
- Auto Intensive: Pots & Pans and baked-on food & grease,
- Auto Wash: Automatic wash & dry for mixed loads & soil levels,
- Auto Gentle: Delicate items and lightly soiled dishes,
- Quick 1h: quick wash & dry for mixed loads & soil levels,
- Speed: Express 29 minutes wash only for lightly soiled dishes,
- Night Wash: extended quiet wash & dry for mixed loads & soil levels,
- Favourite: set or download your favourite combination
- Special options:
- Extra Dry: Provides an even better drying result by extending the drying time
- HygienePlus : Extended increased temperature program for hygienic cleaning
- VarioSpeed: Reduce wash time even after cycle has started
- Extra quiet programme with lower dB(A)
- Machine Care: maintains your dishwasher's optimum performance and hygiene option

Performance

- Glass Zone: specially designed nozzles providing a gentle yet thorough clean to your glassware
- hydroDry heat exchanger assists with condensation to help dry dishes
- hydroSensor: Automatic water turbidity detection
- DosageAssist ensures perfect cleaning results with every wash cycle. The tablet is dropped into a specially engineered tray and is completely dissolved
- iQdrive: The quietest, fastest, & most durable brushless motor ever built by Siemens
- 5 Spray levels for maximum water contact and optimum wash results
- 3 stage self-cleaning filter system: design that helps reduce the need to wash the filter and prevents blockages
- HomeConnect via WiFi Connectivity

Flexibility

- Basket system with blue coloured touchpoints provides total flexibility for all loading requirements
- VarioDrawer™: Provides an extra loading level for cutlery and utensils
- rackMatic Plus: 3 stage height-adjustable upper basket
- Ball bearing on top basket for an easy glide

- Low friction wheels on bottom basket
- Rack Stopper to prevent derailing of bottom basket
- 2 foldable plate racks in top basket
- 6 foldable plate racks in bottom basket
- Moveable cutlery basket in lower basket
- Glass rack in lower basket for tall stemmed glasses

Convenience

- Time delay start (1-24 hours)
- Very quiet operation - 44 dB
- Wash status display
- Time remaining display

Safety

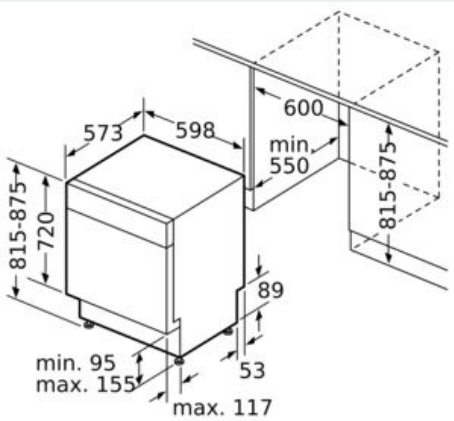
- hydroSafe anti-flood protection
- Childlock appl.+Button susp.

Product Dimensions (H x W x D)

- Height 815-875 mm x Width 598 mm x Depth 573 mm

iQ500, built-under dishwasher, 60 cm,
Stainless steel
SN45HS01CA

Dimensioned drawings



measurements in mm

