

PLATINUM WASHER DRYER PAIR

FRONT LOAD WASHER AFNE9BSS
DRYER ADEE9BSS ELECTRIC ADGE9BSS GAS

 MADE IN AMERICA, BUILT TO LAST SINCE 1908

 **Speed Queen**®



PROVEN PERFORMANCE SINCE 1908.



From Australian mines and oil rigs to the US Army, Speed Queen has over a century of experience washing in the harshest environments around the world, earning a reputation for reliability and performance.

With the toughest washer/dryer pair in its class, you can get Speed Queen's uncompromising performance at home.



WASHER DRYER PAIR AFNE9BSS/ADEE9BSS/ADGE9BSS (PLATINUM)

**EVERY DAY,
EVERY CYCLE,
SPEED QUEEN
PERFORMS.**



Manufactured by the world's number one commercial laundry company, every Speed Queen model is tested to its limits and beyond, and benchmarked against the competition to ensure it outperforms and outlasts the rest. Now, with the Speed Queen washer/dryer pair you can take home a machine tested to last 25 years of home use.



WASHER DRYER PAIR AFNE9BSS/ADEE9BSS/ADGE9BSS (PLATINUM)

WASHER

DURABLE

Built to last up to 25 Years in the home or 10,400 cycles. Components include heavy-duty door hinge, heavy-duty variable induction drive system, metal trunnion, bearing and driveshaft, with heavy-duty seal and bearing assembly and aluminium pulley.

TRUSTED

Over 100 years of experience manufacturing laundry equipment.

QUALITY

Commercial grade industrial motor with out-of-balance logic and heavy-duty commercial shock absorbers for strength and durability. Stainless Steel inner & outer wash bowl.

EFFICIENCY

Dynamic balancing, incredible 440 G-force and 1,200 RPM spin speed for optimum water extraction, quieter operation and a spray rinse for outstanding results.

CONVENIENT

Cycles to suit your lifestyle, Quick Wash, Light, just 24 minutes.



DRYER

DURABLE

Built to last up to 25 Years in the home or 10,400 cycles.

TRUSTED

Over 100 years of experience manufacturing laundry equipment.

QUALITY

Large 198 litre capacity with the largest door opening, means it can handle the biggest loads, so you can spend less time in the laundry.

EFFICIENCY

Auto and manual cycle times, completes a full load in less than 60 minutes. Four temperature setting options and auto dry feature ensure the dryer does not over dry items wasting valuable time, energy and money.

CONVENIENT

Easy to use programmable options, countdown timer, interior light, large door & simple lint filter access.



THE TOUGHEST CHOICE

PLATINUM WASHER

APPEARANCE

FINISH	Stainless Steel
LOCATION OF CONTROLS	Front

MEASUREMENTS

DIMENSIONS (H X W X D)	1,027 x 683 x 704 mm
SHIPPING WEIGHT (APPROX)	122kg
DRUM CAPACITY	10kg/96.8 L
DOOR OPENING	39cm

MATERIALS

OUTER WASH TUB	Stainless
CABINET	Stainless Steel
WASH TUB	Stainless Steel
DOOR HINGE	Stainless Steel
INNOVATIVE DESIGN SERPENTINE BAFFLES	Yes

POWER

ELECTRICAL REQUIREMENTS	240V / 50Hz AC / 1Ph
BREAKER SIZE	10 Amp
MOTOR HORSEPOWER	1 HP

PLATINUM WASHER

OPERATION

SPIN SPEED	1,200 RPM
WATER EXTRACTION SPEED	440 G-force
SPIN SPEED SELECTIONS	4
WASH CYCLES	10
TEMPERATURE SETTINGS	4
SOIL LEVEL SELECTOR	4 Levels
EXTRA OPTIONS	Pre-wash, extra-rinses, soak and Favourites
VARIABLE SPEED INDUCTION MOTOR	Yes
EXTRA RINSE OPTION	2
4 COMPARTMENT SOLUTION DISPENSER	Yes

AGENCY APPROVALS

WELS	10 kg 3 Star
E3	2.5 Star



THE TOUGHEST CHOICE

PLATINUM DRYER

APPEARANCE

FINISH	Stainless Steel
LOCATION OF CONTROLS	Front

MEASUREMENTS

DIMENSIONS (H X W X D)	1,027 x 683 x 711 mm
SHIPPING WEIGHT (APPROX)	73kg
DRUM CAPACITY	198 L
DOOR OPENING	1,913 cm ²
FLUE VENT DIAMETER	102 mm

MATERIALS

CABINET	Stainless Steel
CYLINDER	Galvanised Steel
DOOR HINGE	Stainless Steel

POWER

ELECTRICAL REQUIREMENTS	240V/50Hz AC/1 Ph
BREAKER SIZE	20 Amp (electric) 10 Amp (gas)
FULL LOAD AMPS	18 Amp (electric) 4.5 Amp (gas)
MOTOR HORSEPOWER	1/3

OPERATION

DRYING CYCLES	8
TEMPERATURE SETTINGS	4
DRYNESS SELECTIONS	4
EXTRA OPTIONS	Anti-wrinkle & EcoDry
CYCLE INDICATOR LIGHT	Yes
AUTOMATIC DRY CYCLES	Yes

ELECTRIC ADEE9BSS GAS ADGE9BSS

PLATINUM DRYER

ENERGY DATA

ELECTRIC HEATING	4,000 W (electric)
GAS CONSUMPTION MJ/HR	21.1 Mj/Hr (gas)

AGENCY APPROVALS

E3	Yes (electric)
AUSTRALIAN GAS APPROVAL	Yes (gas)

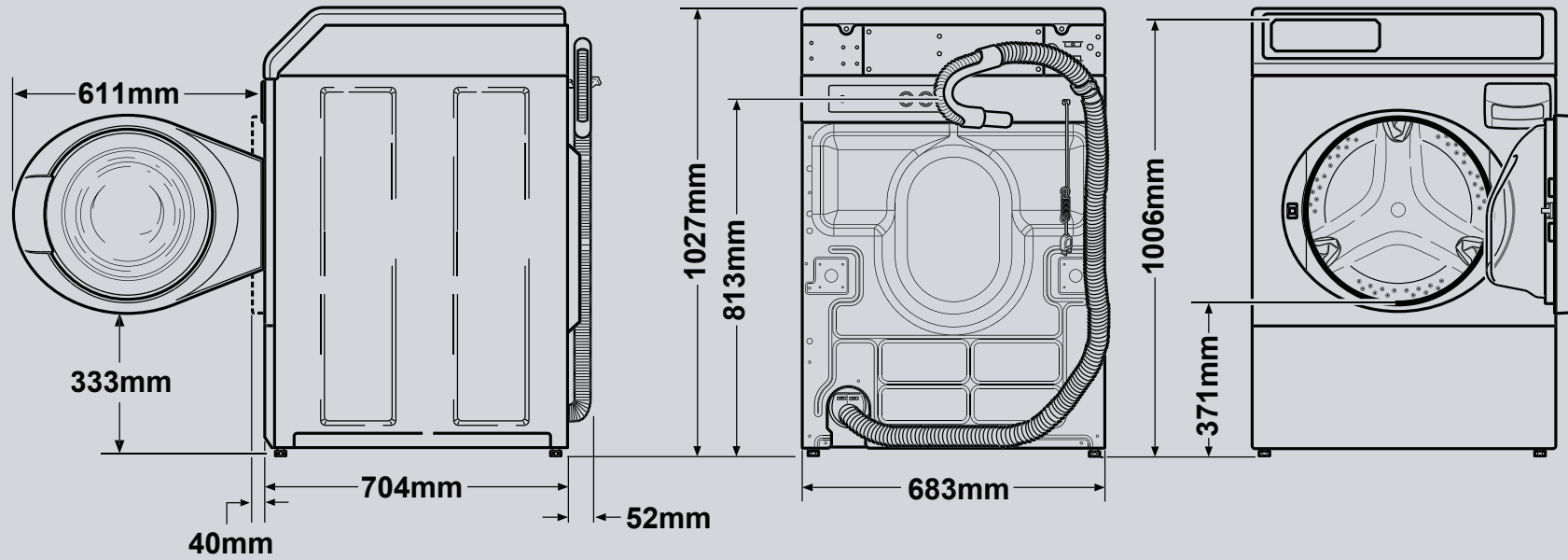
FEATURES

MULTIPLE VENT OPTIONS	3 - right, left and rear (electric) 2 - right and rear only (gas)
LP CONVERSION KIT	Yes (gas)
QUIET, EFFICIENT BLOWER	Yes
END-OF-CYCLE BUZZER	Yes
AUTOMATIC DRY CYCLES	Yes
TIME DRYING	Yes
SHOE DRYING RACK	Optional: Part N° 512082
CONTROL LOCK	Yes

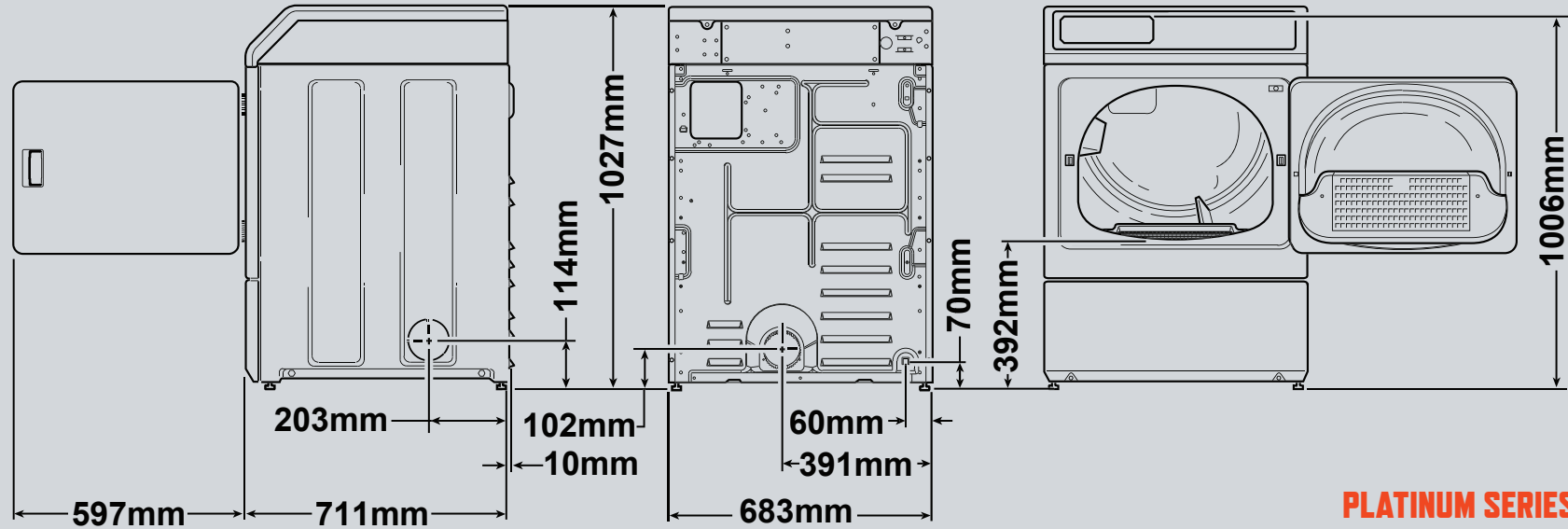
ELECTRIC ADEE9BSS GAS ADGE9BSS



WASHER



DRYER



PLATINUM SERIES





FRONT LOAD WARRANTY

5 YEARS

ON ALL PARTS
AND LABOUR*

LIFETIME

PARTS WARRANTY ON THE STAINLESS
STEEL WASH TUB AND OUTER TUB
AGAINST RUST AND CORROSION*

* See Speed Queen Warranty for details.

For the most accurate information, the installation guide should be used for all design and construction purposes. Due to continuous product improvements, design and specifications are subject to change without notice. The quality management system of Alliance Laundry Systems' Ripon facility has been registered to ISO 9001:2000.



WASHER DRYER PAIR AFNE9BSS/ADEE9BSS/ADGE9BSS (PLATINUM)



DRYER WARRANTY 5 YEARS

ON ALL PARTS
AND LABOUR*

* See Speed Queen Warranty Bond for details.

For the most accurate information, the installation guide should be used for all design and construction purposes. Due to continuous product improvements, design and specifications are subject to change without notice. The quality management system of Alliance Laundry Systems' Ripon facility has been registered to ISO 9001:2000.



WASHER DRYER PAIR AFNE9BSS/ADEE9BSS/ADGE9BSS (PLATINUM)

**TO LEARN MORE ABOUT SPEED QUEEN'S
CENTURY OF UNCOMPROMISING
PERFORMANCE AND RELIABILITY,
VISIT [SPEEDQUEEN.COM.AU](https://www.speedqueen.com.au) OR
CALL 1300 WASHER (1300 927 437) TODAY.**



ACT, NSW

F.L. Costello & Co Sydney
Unit 8/2 Holker St, Newington, NSW 2127
Telephone (02) 9748 2155
www.speedqueenlaundry.com.au
Email admin@speedqueenlaundry.com.au

QLD, NT

F L Costello & Co (Qld)
2/18 Gravel Pit Road, Darra, QLD 4076
Telephone (07) 3376 3869
www.speedqueenlaundry.com.au
Email qld@speedqueenlaundry.com.au

VIC, SA, TAS

Speed Queen Equipment Sales
26 Theobald Street, Thornbury, VIC 3071
Telephone (03) 9495 1300
www.speedqueensales.com.au
Email sales@speedqueensales.com.au

WA

F.L. Costello & Co Perth
7/15 Walters Drive, Osborne Park, WA 6017
Telephone (08) 9445 7744
www.speedqueenlaundry.com.au
Email enquiry@speedqueenwa.com.au



SPEEDQUEEN.COM.AU