

60cm white electric freestanding oven with separate electric grill, fan forced electric oven, 120 minute timer with ringer and a 4 zone ceramic cooktop with dual zone.



Product Details

FEATURES

Electric fan forced oven

Handy separate grilling compartment

2 hour mechanical timer

Easy reach rear controls

Easy clean formed shelf supports

80L/32L capacity oven/grill

Ceramic cooktop

Dual Zone

Power on indicator indicates if power is on to provide peace of mind

BENEFITS

Fan forced for even cooking

When it comes to cooking, one of the biggest is even heat distribution over your dishes. By using fan forced cooking you are able to create an even cooking result.

Grill separately for smooth entertaining

The separate grilling compartment on selected models means you can entertain guests and cook big family meals with absolute ease and without compromising on precious oven space.

Set for 2 hours and it will ring

The mechanical timer keeps track of your cooking time for 2 hours with a ringer to let you know you are ready to restart the timer or finish your dish.

Rear control for safety

Our rear control is easy to reach and angled to keep your cookers control away from smaller hands.

More versatility with variable zones

With Dual Zone functionality you are able to adjust your cooking surface to suit your pot or pan size with ease.

Know when it is hot

The hot surface indicator allows you to clearly see when your cooking zones are on or still retaining residual heat, allowing you to keep your family safe

Specifications

PRODUCT PROFILE

Domestic warranty details (yrs)	2
Oven fuel	electric
Materials/Colour	white
Controls of Oven	control knob
Cooling fan	No
Plinth colour (kickboard)	white
Front/rear controls	rear
Warming drawer	No
Storage drawer	No

MAIN OVEN

Gross capacity litres	80
Useable capacity litres	74
Oven function	fan forced

DIMENSIONS

PRODUCT DIMENSION

Total height (mm)	1150
Total width (mm)	596
Total depth (mm)	620

SECOND OVEN OR GRILL

Closed door grilling	No
Shelf support	side rack
Number of shelves	2

MAIN OVEN

Cleaning	none
----------	------

Oven liner	enamel
------------	--------

Timer functions	Ringer
-----------------	--------

Lights	1
--------	---

Layers of glass in door	2
-------------------------	---

Shelf support	easy clean formed shelf supports
---------------	----------------------------------

Number of shelves	2
-------------------	---

Number of shelf positions	5
---------------------------	---

Closed door grilling	No
----------------------	----

ELECTRICAL CONNECTION

Connected load KW	10.5
-------------------	------

Type of connection	hardwired
--------------------	-----------

SHIPPING

Shipping Volume (m3)	0.569
----------------------	-------

Shipping Weight (Kg)	50
----------------------	----

Pack Dimensions Height (mm)	1235
-----------------------------	------

Pack Dimension Width (mm)	635
---------------------------	-----

STUFFING QUANTITIES

40ft	96
------	----

40ft HC	120
---------	-----

ELEMENTS/BURNERS

Cooking zones	4
---------------	---

Pot sensors	No
-------------	----

Boost function	No
----------------	----

LEFT REAR ZONE

Left rear zone	ceramic
----------------	---------

Left rear watts	1200
-----------------	------

SHIPPING

Pack Dimension Depth (mm)	726
---------------------------	-----

COOKTOP (IF APPLICABLE)

PRODUCT PROFILE

Cook top type	ceramic
---------------	---------

Materials/Colour	black ceramic glass
------------------	---------------------

Knob finish	white
-------------	-------

LEFT FRONT ZONE

Left front Watts	1000
------------------	------

Left front number of cooking zones	1
------------------------------------	---

RIGHT FRONT ZONE

Right front Watts	1200
-------------------	------

Right front number of cooking zones	1
-------------------------------------	---

Left rear number of cooking zones 1

RIGHT REAR ZONE

Right rear watts 1800

Right rear number of cooking zones 1

ELECTRICAL CONNECTION

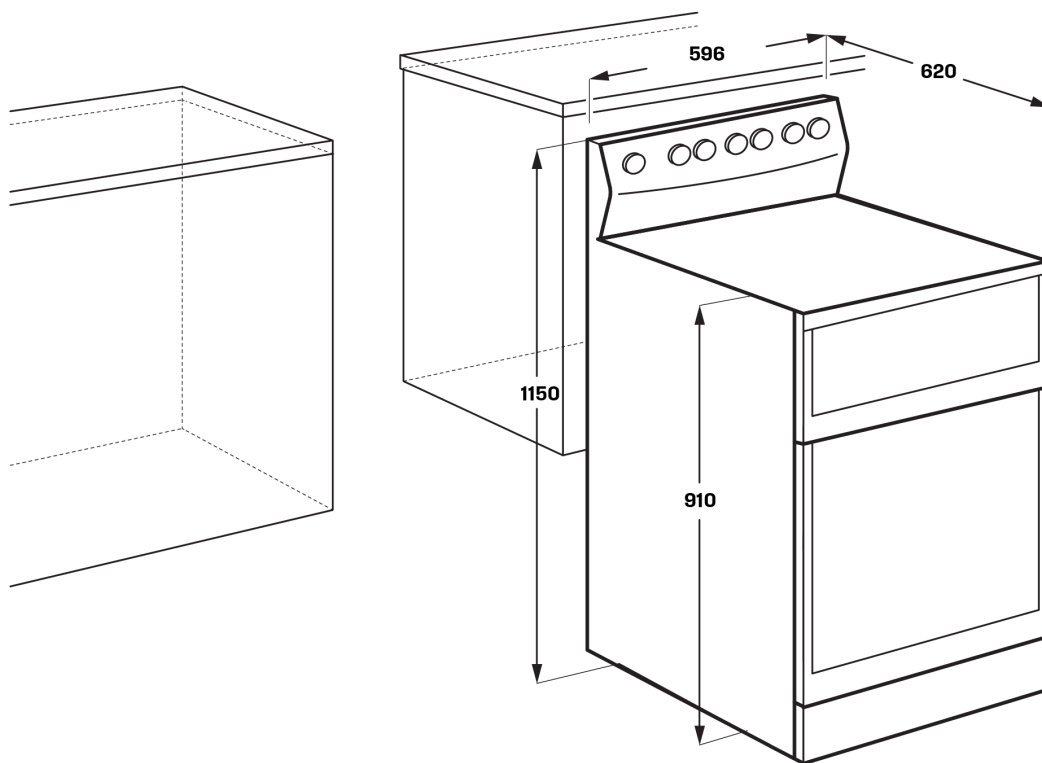
Connected load KW 10.5

Type of connection of Cooktop hardwired

Dimensions

60cm Rear Control Freestanding Cooker, Separate Grill

WLE642WCB



IMPORTANT

These dimensions are a guide only. All measurements are in millimetres (mm). For complete installation instructions, refer to the manual provided with product.

Terms and Conditions

IMPORTANT

This is a guide of product dimensions only. For complete installation instructions, refer to the manual provided with product.

PRODUCT INFORMATION

The descriptors and illustrations in this publication apply to the specific products and models described as at the date of issue. Under our policy of continuous product development, product specifications may change without notice. Prospective purchasers should therefore check with their retailer to ensure this publication correctly describes the products that are being offered for sale. All information supplied is to be used for general reference purposes only and is on the understanding that Electrolux Home Products Pty Ltd (Australia) and Electrolux (NZ) Ltd (New Zealand) will not be liable for any loss, liability or damage of whatever kind arising as a result of reliance on such information. Colours of products illustrated are as close as printing limitations allow. Electrolux will at all times comply with its obligations pursuant to law including Trade Practices (Australian Consumer Law) Act and Regulations.

WARRANTY

This warranty only applies to Appliances purchased and used in Australia or New Zealand and used in normal domestic applications and is in addition to (and does not exclude, restrict, or modify in any way) any non-excludable statutory warranties in Australia or New Zealand. All warranties are subject to the conditions set out in the warranty card accompanying the product when purchased.

ELECTROLUX HOME PRODUCTS AUSTRALIA

telephone: 1300 363 640

fax: 1800 350 067

email: customercare@electrolux.com.au

web: www.electrolux.com.au

ELECTROLUX HOME PRODUCTS NEW ZEALAND

telephone: 09 573 2230

fax: 09 573 2221

email: customercare@electrolux.co.nz

web: www.electrolux.co.nz