

**60cm freestanding dishwasher, stainless steel, with 15 place settings, 10 wash programs including Auto, Hygiene programs, AutoDoor and Zone Wash options, adjustable upper basket when loaded and 45dB operation.**

RRP AUS \$1,349.00



## Product Details

### FEATURES

|   |                                     |                     |                          |
|---|-------------------------------------|---------------------|--------------------------|
| 15 place settings<br>A huge 15-place setting capacity | AutoDoor                            | Auto mode           | Flex adjust upper basket |
| Fast wash options                                     | Delay Start - 1 - 24 Hours          | AquaStop            | Wash progress indicator  |
| Comfort Tray  | Self Clean function                 | 72C Hygiene Program | Zone wash                |
| Steam Wash  | Full touch electronic control panel |                     |                          |

### BENEFITS

**Dry dishes every time**  
Say goodbye to wet dishes and hello to dry, sparkling results with AutoDoor. At the end of the wash cycle, the door, automatically opens to allow air to circulate throughout the interior. This accelerates the drying process, effectively eliminating moisture. No more towel-drying or waiting for dishes to air dry on the rack, with AutoDoor, your dishes are ready to be put away. AutoDoor not available for Fast 30 or Self Clean programs.

**Adjustable convenience**  
Say goodbye to awkward stacking and hello to effortless organisation with our innovative Comfort Tray. With a simple slide, you can adjust the top cutlery tray, allowing you to effortlessly stack tall glasses and bulky items, ensuring every item gets the perfect clean.

**Smarter washing**  
Flexible wash options tailored to your needs. Choose from three half-load settings for the best performance: Upper: Ideal for glasses and mugs in the top basket. Lower: Perfect for plates and bowls in the bottom basket. Upper and Lower: A smart half-load option where spray arms alternate for an efficient, thorough clean.

**Adjusting the right cycle for you**  
Sensing the level of grime on your dishes, our smart sensor adjusts the temperature and wash cycle to ensure the best results possible.

#### Make room for larger items

Its now easier than ever to wash those bulky items in your dishwasher! Simply lift the basket up to raise the height to ensure the pots fit in underneath, or pull the handles on the side to drop the basket lower, so those wine glasses fit.

#### Fast wash, when you need it

Whether youre hosting a party or forgot to put the dishwasher on, our fast 30 and fast 58 minute programs ensure you can be ready in no time.

---

## Specifications

### PRODUCT PROFILE

---

|                                 |   |
|---------------------------------|---|
| Domestic warranty details (yrs) | 2 |
|---------------------------------|---|

---

|                     |              |
|---------------------|--------------|
| Type of Dishwashers | freestanding |
|---------------------|--------------|

---

|                |    |
|----------------|----|
| Place settings | 15 |
|----------------|----|

---

|               |           |
|---------------|-----------|
| Drying system | turbo dry |
|---------------|-----------|

---

|                      |   |
|----------------------|---|
| Number of spray arms | 3 |
|----------------------|---|

---

|            |     |
|------------|-----|
| Top shower | Yes |
|------------|-----|

---

### DIMENSIONS

---

|                   |     |
|-------------------|-----|
| Total height (mm) | 845 |
|-------------------|-----|

---

|                  |     |
|------------------|-----|
| Total width (mm) | 598 |
|------------------|-----|

---

### SPECIFICATION

---

|                              |     |
|------------------------------|-----|
| Water Efficiency Star Rating | 5.5 |
|------------------------------|-----|

---

|                          |        |
|--------------------------|--------|
| WELS Registration Number | D03033 |
|--------------------------|--------|

---

|                            |      |
|----------------------------|------|
| Water consumption (litres) | 11.1 |
|----------------------------|------|

---

|                               |   |
|-------------------------------|---|
| Energy Efficiency Star Rating | 4 |
|-------------------------------|---|

---

|   |     |
|---|-----|
| Energy consumption cold water (kWhr/yr) | 246 |
|---|-----|

---

|                 |    |
|-----------------|----|
| Noise level dBA | 45 |
|-----------------|----|

---

|              |                            |
|--------------|----------------------------|
| Water supply | cold or hot (maximum 60°C) |
|--------------|----------------------------|

---

|               |      |
|---------------|------|
| Basket colour | grey |
|---------------|------|

---

|                     |     |
|---------------------|-----|
| Service cord length | 150 |
|---------------------|-----|

---

### WASH PROGRAMS

---

|                    |    |
|--------------------|----|
| Number of Programs | 10 |
|--------------------|----|

---

## DIMENSIONS

|                        |     |
|------------------------|-----|
| Total depth (mm)       | 598 |
| Height adjustment (mm) | 20  |

## CONTROL PANEL

|                           |  |
|---------------------------|--|
| Control panel type        | Touch Control electronic   |
| Top mounted control panel | No   |
| Control panel finish      | black  |
| Knob or button finish     | black  |
| Display indicators        | rinse aid,on/off ,wash program,half load ,delay start,start ,ExtraDry,Self Clean |

## EXTERIOR

|                           |                 |
|---------------------------|-----------------|
| Door finish               | stainless steel |
| Side colour               | grey            |
| Plinth colour (kickboard) | stainless steel |

## WASH PROGRAMS

|             |  |
|-------------|--|
| Programs    | Auto,Eco,Fast 30",Fast 58",Gentle,Intensive,Quiet,Hygiene 72°C,Self Clean,90 min |
| Wash option | Extra dry,Power Wash,Zone Wash,Delay start (1-24 hours),Steam Wash,Turbo Speed   |

## FEATURES

|                        |   |
|------------------------|---|
| Other Features         | delay start,Soil Level Sensor,child lock on control panel,AutoDoor,Self Clean |
| Water safety system    | overflow protection,aqua control  |
| Filter system          | 3 stage   |
| Dispenser              | detergent,rinse aid   |
| Number of spray levels | 2   |

## UPPER BASKET

|                       |                                |
|-----------------------|--------------------------------|
| Upper basket features | height adjustable on full load |
| Foldable cup shelves  | 4                              |
| Foldable Racks        | 6                              |

## LOWER BASKET

---

|                |   |
|----------------|---|
| Foldable Racks | 8 |
|----------------|---|

---

## HOSES

---

|                   |     |
|-------------------|-----|
| Inlet hose length | 180 |
|-------------------|-----|

---

|                   |     |
|-------------------|-----|
| Drain hose length | 167 |
|-------------------|-----|

---

|                            |      |
|----------------------------|------|
| Inlet hose length (metres) | 1.80 |
|----------------------------|------|

---

|                            |      |
|----------------------------|------|
| Drain hose length (metres) | 1.67 |
|----------------------------|------|

---

## STUFFING QUANTITIES

---

|      |    |
|------|----|
| 20ft | 54 |
|------|----|

---

|      |     |
|------|-----|
| 40ft | 108 |
|------|-----|

---

|         |     |
|---------|-----|
| 40ft HC | 159 |
|---------|-----|

---

## THIRD TRAY

---

|               |         |
|---------------|---------|
| Tray features | Sliding |
|---------------|---------|

---

## SHIPPING

---

|                      |    |
|----------------------|----|
| Shipping Weight (Kg) | 49 |
|----------------------|----|

---

|                             |     |
|-----------------------------|-----|
| Pack Dimensions Height (mm) | 885 |
|-----------------------------|-----|

---

|                           |     |
|---------------------------|-----|
| Pack Dimension Width (mm) | 645 |
|---------------------------|-----|

---

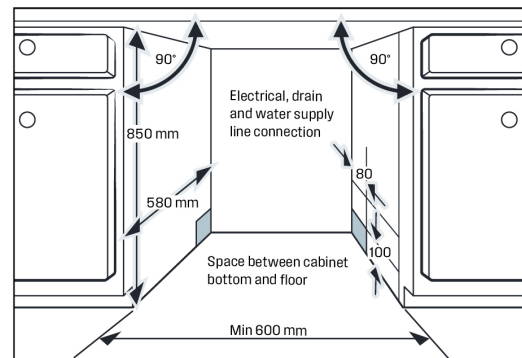
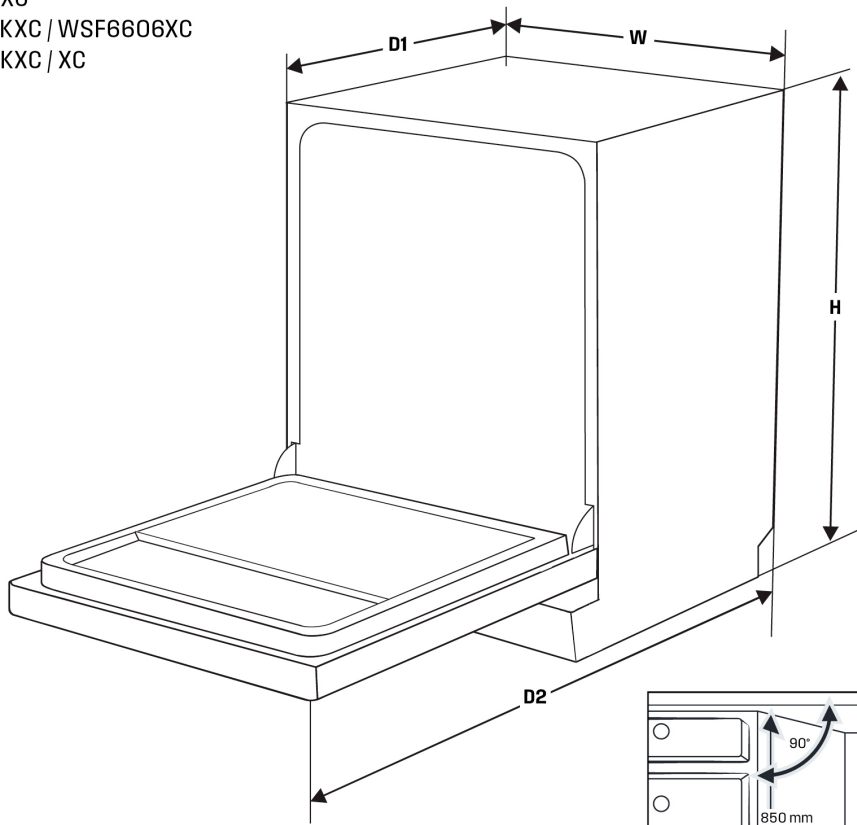
|                           |     |
|---------------------------|-----|
| Pack Dimension Depth (mm) | 645 |
|---------------------------|-----|

---

# Dimensions

## Freestanding Dishwasher

WSF6602WC / WSF6602XC  
 WSF6604XC  
 WSF6606KXC / WSF6606XC  
 WSF6608KXC / XC



|                     | Width | Height | Depth 1 | Depth 2 |
|---------------------|-------|--------|---------|---------|
| <b>Cut out (mm)</b> | 600   | 850    | 580     | -       |
| <b>Product (mm)</b> | 598   | 845    | 598     | 1175    |

**IMPORTANT**

These dimensions are a guide only. All measurements are in millimetres (mm). For complete installation instructions, refer to the manual provided with product.

© 2025 Electrolux Home Products Pty Ltd. ABN 51 004 762 341. WHS\_IM\_Diag\_Freestanding\_Dishwasher\_Aug25

## Terms and Conditions

### IMPORTANT

This is a guide of product dimensions only. For complete installation instructions, refer to the manual provided with product.

### PRODUCT INFORMATION

The descriptors and illustrations in this publication apply to the specific products and models described as at the date of issue. Under our policy of continuous product development, product specifications may change without notice. Prospective purchasers should therefore check with their retailer to ensure this publication correctly describes the products that are being offered for sale. All information supplied is to be used for general reference purposes only and is on the understanding that Electrolux Home Products Pty Ltd (Australia) and Electrolux (NZ) Ltd (New Zealand) will not be liable for any loss, liability or damage of whatever kind arising as a result of reliance on such information. Colours of products illustrated are as close as printing limitations allow. Electrolux will at all times comply with its obligations pursuant to law including Trade Practices (Australian Consumer Law) Act and Regulations.

### WARRANTY

This warranty only applies to Appliances purchased and used in Australia or New Zealand and used in normal domestic applications and is in addition to (and does not exclude, restrict, or modify in any way) any non-excludable statutory warranties in Australia or New Zealand. All warranties are subject to the conditions set out in the warranty card accompanying the product when purchased.

#### ELECTROLUX HOME PRODUCTS AUSTRALIA

telephone: 1300 363 640

fax: 1800 350 067

email: [customercare@electrolux.com.au](mailto:customercare@electrolux.com.au)

web: [www.electrolux.com.au](http://www.electrolux.com.au)

#### ELECTROLUX HOME PRODUCTS NEW ZEALAND

telephone: 09 573 2230

fax: 09 573 2221

email: [customercare@electrolux.co.nz](mailto:customercare@electrolux.co.nz)

web: [www.electrolux.co.nz](http://www.electrolux.co.nz)